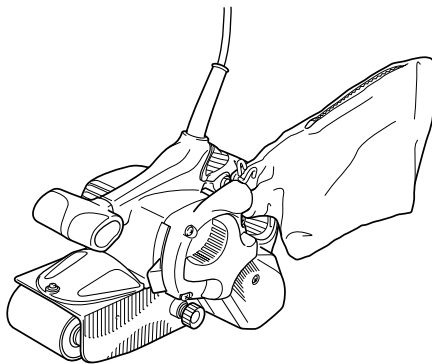


HITACHI

**Belt sander
Bandschleifer
Τριβείο ταινίας
Szlifierka taśmowa
Szalagcsiszoló
Pásová bruska
Tank zimpara
Slefuitor cu bandă
Tračni brusilnik
Ленточная шлифовальная машина**

SB 8V2

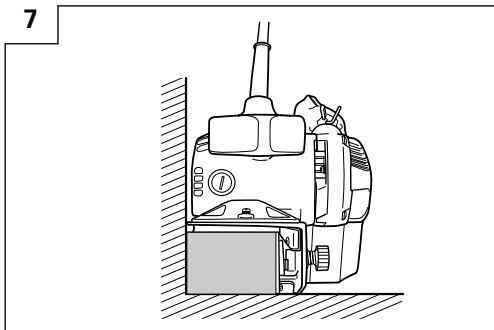
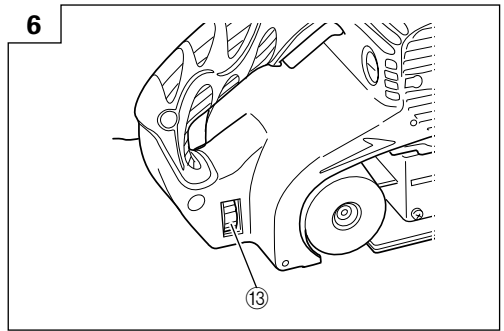
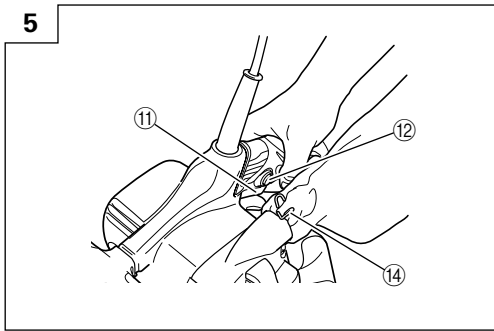
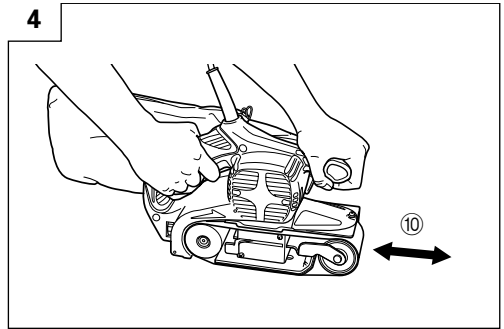
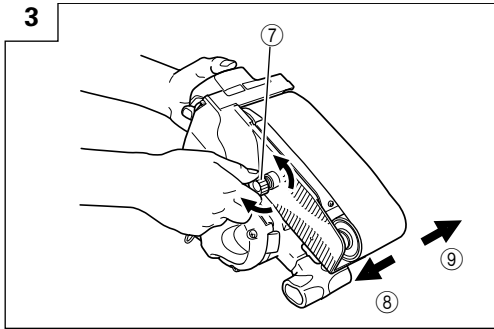
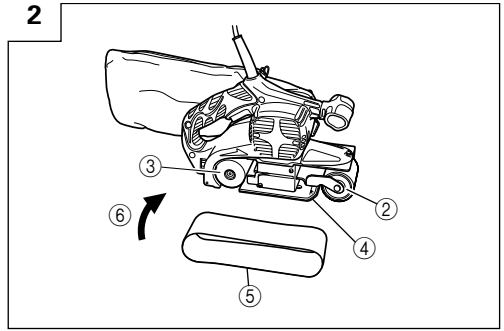
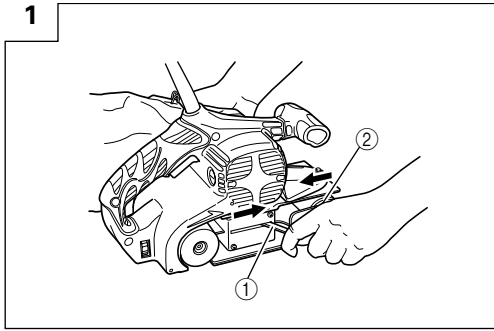


Read through carefully and understand these instructions before use.
Diese Anleitung vor Benutzung des Werkzeugs sorgfältig durchlesen und verstehen.
Διαβάστε προσεκτικά και κατανοήσετε αυτές τις οδηγίες πριν τη χρήση.
Przed użytkowaniem należy dokładnie przeczytać niniejszą instrukcję i zrozumieć jej treść.
Használat előtt olvassa el figyelmesen a használati utasítást.
Před použitím si pečlivě přečtěte tento návod a ujistěte se, že mu dobře rozumíte.
Aleti kullanmadan önce bu kılavuzu iyice okuyun ve talimatları anlayın.
Înainte de utilizare, citiți cu atenție și înțelegeți prezentele instrucțiuni.
Pred uporabo natančno preberite in razumite ta navodila.
Внимательно прочтите данную инструкцию по эксплуатации прежде чем пользоваться инструментом.



**Handling instructions
Bedienungsanleitung
Οδηγίες χειρισμού
Instrukcja obsługi
Kezelési utasítás
Návod k obsluze
Kullanım talimatları
Instrucțiuni de utilizare
Navodila za rokovanje
Инструкция по эксплуатации**

Hitachi Koki



	English	Deutsch	Ελληνικά	Polski
①	Lever	Hebel	Μοχλός	Dźwignia
②	Idle pulley	Lose Rolle	Τροχαλία αδρανοποίησης	Koło pasowe luźne
③	Drive pulley	Antriebsrolle	Τροχαλία κίνησης	Koło pasowe napędowe
④	Shoe plate	Schleifschuh	Πλάκα πέλματος	Płyta ślizgacza
⑤	Sanding belt	Schleifband	Ιμάντας λείανσης	Taśma szlifierska
⑥	Rotational direction	Drehrichtung	Κατεύθυνση περιστροφής	Kierunek obrotów
⑦	Adjust screw	Einstellschraube	Κοχλίας ρύθμισης	Śruba regulacyjna
⑧	Inside	Innen	Εσωτερικό	Wewnątrz
⑨	Outside	Außen	Εξωτερικό	Z zewnątrz
⑩	Move	Bewegen	Κίνηση	Ruch
⑪	Trigger switch	Abzugsschalter	Διακόπτης σκανδάλης	Przycisk spustowy
⑫	Stopper	Anschlag	Αναστολέας	Blokada
⑬	Dial	Wählscheibe	Επιλογέας	Pokrętło
⑭	Support bar	Trägerstange	Μπάρες στήριξης	Pręt podtrzymujący

	Magyar	Čeština	Türkçe	Română
①	Kar	Páka	Manivela	Pârghie
②	Laza tárcsa	Vodící kladka	Avara kasnağı	Fulie condusă
③	Hajtótárcsa	Kladka náhonu	Tahrik kasnağı	Fulie motoare
④	Talplemez	Základová deska	Pabuç plakası	Placă suport
⑤	Csiszolószalag	Brusný pás	Zımpara bandı	Bandă abrazivă
⑥	Forgásirány	Směr rotace	Dönüş yönü	Directie de rotație
⑦	Állítócsavar	Nastavovací šroub	Ayar vidası	Șurub de reglare
⑧	Belül	Vnitřek	İç	Interior
⑨	Kívül	Vnějšíšek	Dış	Exterior
⑩	Mozgás	Posun	Hareket	Mișcare
⑪	Indítókapcsoló	Spínač	Açma/Kapama Anahtarı	Comutator de acționare
⑫	Megállító	Zarážka	Durdurucu	Opritor
⑬	Tárcsa	Číselník	Kadran	Buton de reglare
⑭	Tartórúd	Podpůrná lišta	Destek çubuğu	Bară de susținere

	Slovenščina	Русский
①	Ročica	Рычаг
②	Škripec prostega teka	Натяжной шкив
③	Pogonski škripec	Приводной шкив
④	Okovna plošča	Башмак
⑤	Smirkov jermen	Шлифовальная лента
⑥	Smer rotacije	Направление вращения
⑦	Vijak za nastavljanje	Регулировочный винт
⑧	Oznotraj	Внутренняя поверхность
⑨	Odzunaj	Внешняя поверхность
⑩	Premik	Ход
⑪	Sprožilno stikalo	Курковый переключатель
⑫	Zaustavljalec	Заглушка
⑬	Številčnica	Шкальный диск
⑭	Podporni drog	Опорная планка

GENERAL SAFETY RULES

WARNING!

Read all instructions

Failure to follow all instructions listed below may result in electric shock, fire and/or serious injury.

The term "power tool" in all of the warnings listed below refers to your mains operated (corded) power tool or battery operated (cordless) power tool.

SAVE THESE INSTRUCTIONS

1) Work area

- a) **Keep work area clean and well lit.**
Cluttered and dark areas invite accidents.
- b) **Do not operate power tools in explosive atmospheres, such as in the presence of flammable liquids, gases or dust.**
Power tools create sparks which may ignite the dust of fumes.
- c) **Keep children and bystanders away while operating a power tool.**
Distractions can cause you to lose control.

2) Electrical safety

- a) **Power tool plugs must match the outlet. Never modify the plug in any way.**
Do not use any adapter plugs with earthed (grounded) power tools.
Unmodified plugs and matching outlets will reduce risk of electric shock.
- b) **Avoid body contact with earthed or grounded surfaces such as pipes, radiators, ranges and refrigerators.**
There is an increased risk of electric shock if your body is earthed or grounded.
- c) **Do not expose power tools to rain or wet conditions.**
Water entering a power tool will increase the risk of electric shock.
- d) **Do not abuse the cord. Never use the cord for carrying, pulling or unplugging the power tool. Keep cord away from heat, oil, sharp edges or moving parts.**
Damaged or entangled cords increase the risk of electric shock.
- e) **When operating a power tool outdoors, use an extension cord suitable for outdoor use.**
Use of a cord suitable for outdoor use reduces the risk of electric shock

3) Personal safety

- a) **Stay alert, watch what you are doing and use common sense when operating a power tool. Do not use a power tool while you are tired or under the influence of drugs, alcohol or medication.**
A moment of inattention while operating power tools may result in serious personal injury.
- b) **Use safety equipment. Always wear eye protection.**
Safety equipment such as dust mask, non-skid safety shoes, hard hat, or hearing protection used for appropriate conditions will reduce personal injuries.
- c) **Avoid accidental starting. Ensure the switch is in the off position before plugging in.**
Carrying power tools with your finger on the switch or plugging in power tools that have the switch on invites accidents.

- d) **Remove any adjusting key or wrench before turning the power tool on.**

A wrench or a key left attached to a rotating part of the power tool may result in personal injury.

- e) **Do not overreach. Keep proper footing and balance at all times.**

This enables better control of the power tool in unexpected situations.

- f) **Dress properly. Do not wear loose clothing or jewellery. Keep your hair, clothing and gloves away from moving parts.**

Loose clothes, jewellery or long hair can be caught in moving parts.

- g) **If devices are provided for the connection of dust extraction and collection facilities, ensure these are connected and properly used.**

Use of these devices can reduce dust related hazards.

4) Power tool use and care

- a) **Do not force the power tool. Use the correct power tool for your application.**

The correct power tool will do the job better and safer at the rate for which it was designed.

- b) **Do not use the power tool if the switch does not turn it on and off.**

Any power tool that cannot be controlled with the switch is dangerous and must be repaired.

- c) **Disconnect the plug from the power source before making any adjustments, changing accessories, or storing power tools.**

Such preventive safety measures reduce the risk of starting the power tool accidentally.

- d) **Store idle power tools out of the reach of children and do not allow persons unfamiliar with the power tool or these instructions to operate the power tool.**

Power tools are dangerous in the hands of untrained users.

- e) **Maintain power tools. Check for misalignment or binding of moving parts, breakage of parts and any other condition that may affect the power tools operation.**

If damaged, have the power tool repaired before use.

Many accidents are caused by poorly maintained power tools.

- f) **Keep cutting tools sharp and clean.**

Properly maintained cutting tools with sharp cutting edges are less likely to bind and are easier to control.

- g) **Use the power tool, accessories and tool bits etc., in accordance with these instructions and in the manner intended for the particular type of power tool, taking into account the working conditions and the work to be performed.**

Use of the power tool for operations different from intended could result in a hazardous situation.

5) Service

- a) **Have your power tool serviced by a qualified repair person using only identical replacement parts.**

This will ensure that the safety of the power tool is maintained.

PRECAUTION

Keep children and infirm persons away.

When not in use, tools should be stored out of reach of children and infirm persons.

PRECAUTIONS ON USING BELT SANDER

CAUTION

Prior to the sanding operation, make sure the material you are going to sand.

If generation of harmful/ toxic dusts such as lead paint, woods and metals is expected under the

sanding operation, make sure the dust bag or appropriate dust extraction system is connected with dust outlet tightly.

Wear the dust mask additionally, if available.

Do not inhale or touch the harmful / toxic dusts generated in sanding operation, the dust can endanger the health of yourself and bystanders.

SPECIFICATIONS

Voltage (by areas)*	(110V, 120V, 230V, 240V) \surd
Power input*	1020 W
No-load belt speed	250 – 450 m / min
Sanding belt size	76 × 533 mm
Weight (without cord)	4.3 kg

* Be sure to check the nameplate on product as it is subject to change by areas.

STANDARD ACCESSORIES

- (1) Endless sanding belt (Grain size: #80) 1
 - (2) Dust bag 1
- Standard accessories are subject to change without notice.

**OPTIONAL ACCESSORIES
(sold separately)**

1. Endless sanding belts

Table1

Grain size	Grain Type
30	AA
40	AA, WA
60	AA, WA
80	AA, WA
100	AA, WA
120	AA, WA
150	AA, WA
180	AA, WA
240	AA, WA
320	AA
400	AA

NOTE:

The endless sanding belt is sold in package of 10 belts of the same type. When ordering, specify the grain type and grain size desired.

2. Stationary Stand

When sanding small articles, use a stationary stand for convenience.

Optional accessories are subject to change without notice.

APPLICATIONS

- Finish sanding and finish flooring of woodwork products.
- Base polishing of wood-coated surfaces.
- Finish sanding of metal surfaces.
- Base polishing of metal-coated surfaces, rust removal, or paint removal prior to refinishing.
- Surface finishing of slate, concrete, and similar materials.

PRIOR TO OPERATION

1. Power source

Ensure that the power source to be utilized conforms to the power requirements specified on the product nameplate.

2. Power switch

Ensure that the power switch is in the OFF position. If the plug is connected to a receptacle while the power switch is in the ON position, the power tool will start operating immediately, which could cause a serious accident.

3. Extension cord

When the work area is removed from the power source, use an extension cord of sufficient thickness an rated capacity. The extension cord should be kept as short as practicable.

4. Attach the sanding belt

For details, refer to the section on "Sanding Belt Assembly".

HOW TO HANDLE SANDING BELT

CAUTION:

Be sure to switch power OFF and disconnect the plug from the receptacle to avoid serious trouble.

1. How to attach sanding belt

- (1) Pull lever with finger, idle pulley will then move backward. (Fig. 1)
- (2) Place on drive pulley and idle pulley passing it over the outside of shoe plate and making sure that arrow on inside of belt coincides with rotational direction of drive pulley. (Fig. 2)
- (3) Push lever with finger, idle pulley will then move forward and give proper tension to sanding belt. In this case, be careful not to be hit your finger by lever.

Then, adjust sanding belt position.

CAUTION:

Sanding belt installed in the wrong direction will lower work efficiency and shorten life of sanding belt.

2. How to remove sanding belt

Pull lever with finger, sanding belt will then sag and can be taken off pulleys easily.

DUST REMOVAL

When an excessive amount of dust is deposited in the dust bag, dust-collecting efficiency will sharply drop.

Remove dust from the bag when it is deposited up to about 2/3 the bag capacity, where by dust collecting efficiency (as well as working efficiency) will be ensured. Remove dust from the bag as follows:

- (1) Loosen the support bar and remove the dust bag. (Fig. 5)
- (2) The bag inlet can be opened by unzipping the slide fastener.

HOW TO USE THE BELT SANDER**1. How to adjust sanding position.**

Push switch and turn sanding belt to check position. Adjust sanding belt so that both edges protrude 1.6mm – 3mm past edges of pulleys.

If sanding belt is operated too far on the inside, it may cause abrasion and damage machine.

Adjust sanding belt position by turning adjust screw. (Fig. 3)

- Turn adjust screw clockwise to move belt in.
- Turn adjust screw counterclockwise to move belt out.

CAUTION:

If sanding belt moves during operation, adjustment can be made while in operation.

2. To turn on switch

Turn on switch while holding machine away from surface to be worked on. If machine is placed on surface when switch is pushed, surface may be badly scratched.

The same applies when stopping the machine.

3. How to hold machine

Grasp handle and handle knob and hold machine against surface to be worked on so that it contacts surface lightly.

Weight of machine itself is sufficient for sanding and polishing at highest efficiency.

Do not apply any additional pressure, for this would place unnecessary load on motor, shorten life of sanding belt and lower work efficiency.(Fig. 4)

4. How to move machine

Move machine forward first and then backward, repeating this motion.(Fig. 4)

5. How to select proper sanding belt

Choose sanding belt of proper grain size and grain type for your specific purpose, by referring to **Table 2** and **3** below.

Table 2

Derived finish	Proper grain size
Coarse finish	30 – 40
Medium finish	40 – 100
Semi fine finish	80 – 240
Fine finish	180 – 400

Table 3

Grain type	Surface to be worked on
AA	Steel, Wood
WA	Wood, Bamboo

CAUTION:

- For grain sizes, refer to **Table 3**
- Sanding belt grain should be coarser than sandpaper used for manual work.
- Use sanding belt of same grain size until uniform surface is obtained. Changing grain sizes may result in poor finish.

6. How to operate switch

The power switch is turned ON when the trigger is pulled, and if the stopper is once depressed, the power switch becomes locked, allowing continuous operation.

The stopper can be released pulling the trigger. (Fig. 5)

7. Adjusting the belt speed

The Belt Sander is equipped with the electric control circuit which enables stepless speed control. To adjust the speed, turn the dial shown in **Fig. 6**.

When the dial is set to "1", the belt sander operates at the minimum speed. When the dial is set to "5", the belt sander operates at the maximum speed.

8. How to work on corner

Corners can be sanded and polished by using machine as in **Fig. 7**.

MAINTENANCE AND INSPECTION**1. Inspecting the sanding belt**

Since continued use of a worn-out sanding belt will degrade efficiency, replace the sanding belt as soon as excessive abrasion is noted.

2. Inspecting the mounting screws

Regularly inspect all mounting screws and ensure that they are properly tightened. Should any of the screws be loose, retighten them immediately. Failure to do so could result in serious hazard.

3. Maintenance of the motor

The motor unit winding is the very "heart" of the power tool.

Exercise due care to ensure the winding does not become damaged and/or wet with oil or water.

4. Inspecting the carbon brushes

For your continued safety and electrical shock protection, carbon brush inspection and replacement

on this tool should ONLY be performed by a Hitachi Authorized Service Center.

5. Replacing supply cord

If the supply cord of Tool is damaged, the Tool must be returned to Hitachi Authorized Service Center for the cord to be replaced.

6. Service parts list

CAUTION:

Repair, modification and inspection of Hitachi Power Tools must be carried out by an Hitachi Authorized Service Center.

This Parts List will be helpful if presented with the tool to the Hitachi Authorized Service Center when requesting repair or other maintenance.

In the operation and maintenance of power tools, the safety regulations and standards prescribed in each country must be observed.

MODIFICATIONS:

Hitachi Power Tools are constantly being improved and modified to incorporate the latest technological advancements.

Accordingly, some parts may be changed without prior notice.

GUARANTEE

We guarantee Hitachi Power Tools in accordance with statutory/country specific regulation. This guarantee does not cover defects or damage due to misuse, abuse, or normal wear and tear. In case of complaint, please send the Power Tool, undismantled, with the GUARANTEE CERTIFICATE found at the end of this Handling instruction, to a Hitachi Authorized Service Center.

NOTE:

Due HITACHI's continuing program of research and development, the specifications herein are subject to change without prior notice.

Information concerning airborne noise and vibration

The measured values were determined according to EN60745 and declared in accordance with ISO 4871.

The typical A-weighted sound power level: 98 dB (A).

The typical A-weighted sound pressure level: 87 dB (A).

Uncertainty KpA: 3 dB (A).

Wear ear protection.

The typical weighted root mean square acceleration value does not exceed 2.5 m/s².

ALLGEMEINE SICHERHEITSMASSNAHMEN

WARNUNG!

Lesen Sie sämtliche Hinweise durch

Wenn nicht sämtliche nachstehenden Anweisungen befolgt werden, kann es zu Stromschlag, Brand und/oder ernsthaften Verletzungen kommen.

Der Begriff „Elektrowerkzeug“ bezieht sich in den folgenden Warnhinweisen auf Elektrowerkzeuge mit Netz- (schnurgebunden) oder Akkubetrieb (schnurlos).

BEWAHREN SIE DIESE ANWEISUNGEN AUF

1) Arbeitsbereich

- Sorgen Sie für einen sauberen und gut ausgeleuchteten Arbeitsbereich.**
Zugestellte und dunkle Bereiche ziehen Unfälle förmlich an.
- Verwenden Sie Elektrowerkzeuge niemals an Orten, an denen Explosionsgefahr besteht – zum Beispiel in der Nähe von leicht entflammaren Flüssigkeiten, Gasen oder Stäuben.**
Bei der Arbeit mit Elektrowerkzeugen kann es zu Funkenbildung kommen, wodurch sich Stäube oder Dämpfe entzünden können.
- Sorgen Sie bei der Arbeit mit Elektrowerkzeugen dafür, dass sich keine Zuschauer (insbesondere Kinder) in der Nähe befinden.**
Wenn Sie abgelenkt werden, können Sie die Kontrolle über das Werkzeug verlieren.

2) Elektrische Sicherheit

- Elektrowerkzeuge müssen mit passender Stromversorgung betrieben werden.**
Nehmen Sie niemals irgendwelche Änderungen am Anschlussstecker vor.
Verwenden Sie bei Elektrowerkzeugen mit Schutzkontakt (geerdet) niemals Adapterstecker.
Stecker im Originalzustand und passende Steckdosen reduzieren das Stromschlagrisiko.
- Vermeiden Sie Körperkontakt mit geerdeten Gegenständen wie Rohrleitungen, Heizungen, Herden oder Kühlschränken.**
Bei Körperkontakt mit geerdeten Gegenständen besteht ein erhöhtes Stromschlagrisiko.
- Setzen Sie Elektrowerkzeuge niemals Regen oder sonstiger Feuchtigkeit aus.**
Wenn Flüssigkeiten in ein Elektrowerkzeug eindringen, erhöht sich das Stromschlagrisiko.
- Verwenden Sie die Anschlusschnur nicht missbräuchlich.** Tragen Sie das Elektrowerkzeug niemals an der Anschlusschnur, ziehen Sie es nicht damit heran und ziehen Sie den Stecker nicht an der Anschlusschnur aus der Steckdose. Halten Sie die Anschlusschnur von Hitzequellen, Öl, scharfen Kanten und beweglichen Teilen fern.
Beschädigte oder verdrehte Anschlusschnüre erhöhen das Stromschlagrisiko.
- Wenn Sie ein Elektrowerkzeug im Freien benutzen, verwenden Sie ein für den Außeneinsatz geeignetes Verlängerungskabel.**
Ein für den Außeneinsatz geeignetes Kabel vermindert das Stromschlagrisiko.

3) Persönliche Sicherheit

- Bleiben Sie wachsam, achten Sie auf das, was Sie tun, und setzen Sie Ihren Verstand ein, wenn Sie mit Elektrowerkzeugen arbeiten.**
Benutzen Sie keine Elektrowerkzeuge, wenn Sie müde sind oder unter Einfluss von Drogen, Alkohol oder Medikamenten stehen.

Bei der Arbeit mit Elektrowerkzeugen können bereits kurze Phasen der Unaufmerksamkeit zu schweren Verletzungen führen.

- Benutzen Sie Schutzausrüstung. Tragen Sie immer einen Augenschutz.**
Schutzausrüstung wie Staubmaske, rutschsichere Sicherheitsschuhe, Schutzhelm und Gehörschutz senken das Verletzungsrisiko bei angemessenem Einsatz.
 - Vermeiden Sie unbeabsichtigten Anlauf. Achten Sie darauf, dass sich der Schalter in der Aus-(Off-) Position befindet, ehe Sie den Stecker einstecken.**
Das Herumtragen von Elektrowerkzeugen mit dem Finger am Schalter und das Einstecken des Steckers bei betätigtem Schalter zieht Unfälle regelrecht an.
 - Entfernen Sie sämtliche Einstellwerkzeuge (Einstellschlüssel), ehe Sie das Elektrowerkzeug einschalten.**
Ein an einem beweglichen Teil des Elektrowerkzeugs angebrachter Schlüssel kann zu Verletzungen führen.
 - Sorgen Sie für einen festen Stand. Achten Sie jederzeit darauf, sicher zu stehen und das Gleichgewicht zu bewahren.**
Dadurch haben Sie das Elektrowerkzeug in unerwarteten Situationen besser im Griff.
 - Kleiden Sie sich richtig. Tragen Sie keine lose Kleidung oder Schmuck. Halten Sie Haar, Kleidung und Handschuhe von beweglichen Teilen fern.**
Lose Kleidung, Schmuck oder langes Haar kann von beweglichen Teilen erfasst werden.
 - Wenn Anschlüsse für Staubabsaug- und -sammelvorrichtungen vorhanden sind, sorgen Sie dafür, dass diese richtig angeschlossen und eingesetzt werden.**
Die Verwendung solcher Vorrichtungen kann Staub-bezogene Gefahren mindern.
- #### 4) Einsatz und Pflege von Elektrowerkzeugen
- Übersprechen Sie Elektrowerkzeuge nicht.**
Benutzen Sie das richtige Elektrowerkzeug für Ihren Einsatzzweck.
Das richtige Elektrowerkzeug erledigt seine Arbeit bei bestimmungsgemäßem Einsatz besser und sicherer.
 - Benutzen Sie das Elektrowerkzeug nicht, wenn es sich nicht am Schalter ein- und ausschalten lässt.**
Jedes Elektrowerkzeug, das nicht mit dem Schalter betätigt werden kann, stellt eine Gefahr dar und muss repariert werden.
 - Ziehen Sie den Netzstecker, ehe Sie Einstellarbeiten vornehmen, Zubehörteile tauschen oder das Elektrowerkzeug verstauen.**
Solche präventiven Sicherheitsmaßnahmen verhindern den unbeabsichtigten Anlauf des Elektrowerkzeugs und die damit verbundenen Gefahren.
 - Lagern Sie nicht benutzte Elektrowerkzeuge außerhalb der Reichweite von Kindern, lassen Sie nicht zu, dass Personen das Elektrowerkzeug bedienen, die nicht mit dem Werkzeug selbst und/oder diesen Anweisungen vertraut sind.**
Elektrowerkzeuge in ungeschulten Händen sind gefährlich.
 - Halten Sie Elektrowerkzeuge in Stand. Prüfen Sie auf Fehlaufrichtungen, sicheren Halt und Leichtgängigkeit beweglicher Teile, Beschädigungen von Teilen und auf jegliche andere Zustände, die sich auf den Betrieb des Elektrowerkzeugs auswirken können.**

Bei Beschädigungen lassen Sie das Elektrowerkzeug reparieren, ehe Sie es benutzen. Viele Unfälle mit Elektrowerkzeugen sind auf schlechte Wartung zurückzuführen.

- f) Halten Sie Schneidwerkzeuge scharf und sauber. Richtig gewartete Schneidwerkzeuge mit scharfen Schneidkanten bleiben weniger häufig hängen und sind einfacher zu beherrschen.
- g) Benutzen Sie Elektrowerkzeuge, Zubehör, Werkzeugspitzen und Ähnliches in Übereinstimmung mit diesen Anweisungen und auf die für das jeweilige Elektrowerkzeug bestimmungsgemäße Weise – beachten Sie dabei die jeweiligen Arbeitsbedingungen und die Art und Weise der auszuführenden Arbeiten. Der bestimmungswidrige Einsatz von Elektrowerkzeugen kann zu gefährlichen Situationen führen.
- 5) Service
- a) Lassen Sie Elektrowerkzeuge durch qualifizierte Fachkräfte und unter Einsatz passender, zugelassener Originalteile warten. Dies sorgt dafür, dass die Sicherheit des Elektrowerkzeugs nicht beeinträchtigt wird.

VORSICHT

Von Kindern und gebrechlichen Personen fernhalten. Werkzeuge sollten bei Nichtgebrauch außerhalb der Reichweite von Kindern und gebrechlichen Personen aufbewahrt werden.

VORSICHTSMASSNAHMEN BEI DER BENUTZUNG DER BANDSCHLEIFER

ACHTUNG

Machen Sie vor dem Schleifen mit den zu bearbeitenden Materialien vertraut.

Falls beim Schleifen voraussichtlich schädliche oder gar giftige Stäube freigesetzt werden könnten – wie beim Bearbeiten von Bleifarben, Holz oder Metallen – achten Sie darauf, dass der Staubfangbehälter oder ein geeignetes Staubabsaugsystem dicht mit dem Staubauslass verbunden ist.

Tragen Sie zusätzlich eine Staubschutzmaske, wenn vorhanden.

Atmen Sie keine beim Schleifen entstehenden schädlichen oder gar giftigen Stäube ein – der Staub kann Ihre und die Gesundheit von Zuschauern gefährden.

TECHNISCHE DATEN

Spannung (je nach Gebiet)*	(110V, 120V, 230V, 240V) ~
Leistungsaufnahme*	1020 W
Band-Leerlauf-geschwindigkeit	250 – 450 m / min
Bandgröße	76 × 533 mm
Gewicht (ohne Kabel)	4,3 kg

* Vergessen Sie nicht, die Produktangaben auf dem Typenschild zu überprüfen, da sich diese je nach Verkaufsgebiet ändern.

STANDARDZUBEHÖR

- (1) Endlosschleifband (Korngröße Nr. 80) 1
(2) Staubsack 1
Das Standardzubehör kann ohne vorherige Bekanntmachung jederzeit geändert werden.

SONDERZUBEHÖR (separat zu beziehen)

1. Endlosschleifbänder

Tabelle 1

Korngröße	Kornart
30	AA
40	AA, WA
60	AA, WA
80	AA, WA
100	AA, WA
120	AA, WA
150	AA, WA
180	AA, WA
240	AA, WA
320	AA
400	AA

ANMERKUNG:

Die Endlosschleifbänder werden in Paketen von 10 Stück pro Typ verkauft. Bei einer Bestellung ist die gewünschte Kornart und Korngröße anzugeben.

2. Fester Ständer

Beim Schleifen kleiner Gegenstände ist ein fester Ständer zur Erleichterung der Arbeit zu verwenden.

Das Sonderzubehör kann ohne vorherige Bekanntmachung jederzeit geändert werden.

ANWENDUNGSGEBIETE

- Feinschleifen und Abschleifen von Holzbauprodukten.
- Politur der Unterlage von holzbeschichteten Flächen.
- Feinschliff von Metallflächen.
- Politur der Unterlage von metallbeschichteten Flächen, Rostentfernung oder Entfernung von Farbe vor der Nachbearbeitung.
- Oberflächenbearbeitung von Schiefer, Beton und ähnlichen Materialien.

VOR INBETRIEBNAHME

1. Netzspannung

Prüfen, daß die zu verwendende Netzspannung der Angabe auf dem Typenschild entspricht.

2. Netzschalter

Prüfen, daß der Netzschalter auf AUS steht. Wenn der Stecker an das Netz angeschlossen wird, während der Schalter auf EIN steht, beginnt das Werkzeug sofort zu laufen, was gefährlich ist.

3. Verlängerungskabel

Wenn der Arbeitsbereich nicht in der Nähe des Netzanschlusses liegt, ist ein Verlängerungskabel ausreichenden Querschnitts und ausreichender Nennleistung zu verwenden. Das Verlängerungskabel sollte so kurz wie möglich gehalten werden.

4. Das Schleifband anbringen.

Bezüglich Einzelheiten siehe Abschnitt "Anbringen des Schleifbandes".

BEDIENUNG DES SCHLEIFBANDS

ACHTUNG:

Achten Sie darauf, die Stromversorgung auf OFF zu stellen, und ziehen Sie den Stecker aus der Steckdose, um größere Schäden zu vermeiden.

1. Befestigung des Schleifbands

- (1) Ziehen Sie den Hebel mit dem Finger, um die Losrolle nach hinten zu verschieben. (Abb. 1)
- (2) Platzieren Sie diese auf die Antriebsscheibe, um sie leer über das Äußere der Schuhplatte zu bewegen. Achten Sie darauf, dass der Pfeil im Riemeninneren mit der Drehbewegung der Antriebsscheibe übereinstimmt. (Abb. 2)
- (3) Drücken Sie den Hebel mit dem Finger. Die Losrolle wird dann vorwärts bewegt, um dem Schleifband die erforderliche Spannung zu verleihen. Achten Sie in diesem Fall darauf, dass Ihr Finger nicht vom Hebel getroffen wird. Passen Sie dann die Position des Schleifbands an.

VORSICHT:

Wird das Schleifband in falscher Richtung montiert, wird die Effizienz gesenkt und die Lebensdauer verkürzt.

2. Entfernen des Schleifbands

Ziehen Sie den Hebel mit dem Finger, damit das Schleifband durchhängt und leicht entnommen werden kann.

ENTFERNEN VON STAUB

Befindet sich im Staubbeutel übermäßig viel Staub, sinkt die Effizienz für die Staubsammlung deutlich ab.

Der Staubbeutel ist zu entleeren, sobald er zu ungefähr 2/3 der Kapazität gefüllt ist. In diesem Fall ist die Staubsammlung (sowie die Arbeitseffizienz) gewährleistet. Entfernen Sie den Staub wie folgt aus den Beuteln:

- (1) Lösen Sie die Trägerstange und entfernen Sie den Staubbeutel. (Abb. 5)
- (2) Öffnen Sie den Reißverschluss, um den Beuteleinlass zu öffnen.

VERWENDUNG DES SCHLEIFBANDS

1. Anpassung der Schleifposition.

Drücken Sie auf den Schalter und drehen Sie das Schleifband, um die Position zu prüfen. Passen Sie das Schleifband an, damit beide Enden 1,6 mm – 3 mm über die Enden der Hebel hinausragen.

Wird das Schleifband zu weit im Inneren bedient, kann es zu einer Abnutzung durch Reibung und Beschädigungen der Maschine führen.

Passen Sie die Position des Schleifbands mithilfe der Justierschraube (Abb. 3) an.

- Drehen Sie die Schraube im Uhrzeigersinn, um den Riemen hineinzubewegen.
- Drehen Sie die Schraube gegen den Uhrzeigersinn, um den Riemen herauszubewegen.

VORSICHT:

Bewegt sich das Schleifband während des Betriebs, kann die Einstellung während des Betriebs erfolgen.

2. Schalter einschalten

Schalten Sie die Maschine ein, und heben Sie diese von der zu bearbeiteten Fläche weg. Wird die Maschine während dem Einschalten auf eine Oberfläche gelegt, kann diese stark verkratzt werden. Dies gilt auch für das Ausschalten der Maschine.

3. Halten der Maschine

Halten Sie den Griff, den Griffknopf und die Maschine gegen die zu bearbeitete Fläche, bis ein leichter Kontakt hergestellt ist.

Das Gewicht der Maschine ist ausreichend, um mit höchster Effizienz Schleif- und Poliervorgänge auszuführen.

Üben Sie keinen zusätzlichen Druck aus, da dies zu einem unnötigen Druck auf den Motor führen würde, wodurch die Lebensdauer des Schleifbands verkürzt und die Arbeitsleistung gemindert wird. (Abb. 4)

4. Bewegen der Maschine

Bewegen Sie die Maschine zunächst nach vorne, dann nach hinten, und wiederholen Sie diese Bewegung. (Abb. 4)

5. Auswahl eines geeigneten Schleifbands

Wählen Sie für Ihre Anwendung die korrekte Korngröße und Kornart des Schleifbands gemäß untenstehender Tabellen 2 und 3 aus.

Tabelle 2

Abgeleitete Ausführung	Geeignete Korngröße
Grobe Ausführung	30 – 40
Mittlere Ausführung	40 – 100
Halbfeine Ausführung	80 – 240
Feine Ausführung	180 – 400

Tabelle 3

Kornart	Zu bearbeitete Fläche
AA	Stahl, Holz
WA	Holz, Bambus

VORSICHT:

- Die Werte für die Korngröße finden Sie in **Tabelle 3**
- Das Korn des Schleifbands muss gröber sein als das Schleifpapier, das für manuelle Arbeiten verwendet wird.
- Wenn eine einheitliche Fläche erzielt werden soll, verwenden Sie für das Schleifband dieselbe Korngröße. Das Wechseln von Korngrößen kann zu einer schlechten Ausführung führen.

6. Bedienung des Schalters

Wenn der Abzugsschalter gedrückt ist, ist die Maschine auf ON geschaltet. Wird der Anschlag einmal gedrückt, wird die EIN-/AUS-Taste gesperrt, und die Maschine kann dauerhaft betrieben werden. Ziehen Sie den Abzug, um den Anschlag zu lösen. (**Abb. 5**)

7. Anpassung der Bandgeschwindigkeit

Die Bandschleifmaschine ist mit elektrischem Steuerstrom ausgestattet, wodurch eine stufenlose Geschwindigkeitskontrolle ermöglicht wird. Wenn Sie die Geschwindigkeit anpassen möchten, drehen Sie die Wählscheibe wie in **Abb. 6** dargestellt. Ist die Wählscheibe auf "1" eingestellt, wird das Schleifband mit Mindestgeschwindigkeit betrieben. Ist die Wählscheibe auf "5" eingestellt, wird das Schleifband mit Maximalgeschwindigkeit betrieben.

8. Bearbeitung von Ecken

Beachten Sie zum Schleifen und Polieren von Ecken die Anwendungshinweise in **Abb. 7**.

WARTUNG UND INSPEKTION

1. Inspektion des Schleifbandes:

Da die Benutzung eines verschlissenen Schleifbandes den Wirkungsgrad vermindert, ist der Austausch des Schleifbandes zu empfehlen, sobald übermäßiger Verschleiß festgestellt wird.

2. Inspektion der Befestigungsschrauben

Alle Befestigungsschrauben werden regelmäßig inspiziert und geprüft, daß sie richtig angezogen sind. Wenn sich eine der Schrauben lockert, muß sie sofort wieder angezogen werden. Geschieht das nicht, kann das zu erheblicher Gefahr führen.

3. Wartung des Motors

Die Motorwicklung ist das "herz" des Elektrowerkzeugs. Daher ist besonders sorgfältig darauf zu achten, daß die Wicklung nicht beschädigt wird und/oder mit Öl oder Wasser in Berührung kommt.

4. Inspektion der Kohlebürsten

Zur Erhaltung Ihrer Sicherheit und des Schutzes gegen elektrischen Schlag sollten Inspektion und

Auswechseln der Kohlebürsten NUR durch ein Autorisiertes Hitachi-Wartungszentrum durchgeführt werden.

5. Auswechseln des Netzkabels

Wenn das Netzkabel des Werkzeugs beschädigt wird, muss das Werkzeug zum Auswechseln des Netzkabels an ein von Autorisiertes Hitachi-Wartungszentrum zurückgegeben werden.

6. Liste der Wartungsteile

ACHTUNG:

Reparatur, Modifikation und Inspektion von Hitachi-Elektrowerkzeugen müssen durch ein autorisiertes Hitachi-Kundendienstzentrum durchgeführt werden. Diese Teileliste ist hilfreich, wenn sie dem autorisierten Hitachi-Kundendienstzentrum zusammen mit dem Werkzeug für Reparatur oder Wartung ausgehändigt wird.

Bei Betrieb und Wartung von Elektrowerkzeugen müssen die Sicherheitsvorschriften und Normen beachtet werden.

MODIFIKATIONEN:

Hitachi-Elektrowerkzeuge werden fortwährend verbessert und modifiziert, um die neuesten technischen Fortschritte einzubauen.

Dementsprechend ist es möglich, daß einige Teile ohne vorherige Benachrichtigung geändert werden.

GARANTIE

Auf Hitachi-Elektrowerkzeuge gewähren wir eine Garantie unter Zugrundelegung der jeweils geltenden gesetzlichen und landesspezifischen Bedingungen. Dieses Garantie erstreckt sich nicht auf Gehäusedefekte und nicht auf Schäden, die auf Missbrauch, bestimmungswidrigen Einsatz oder normalen Verschleiß zurückzuführen sind. Im Schadensfall senden Sie das nicht zerlegte Elektrowerkzeug zusammen mit dem GARANTIESCHEIN, den Sie am Ende der Bedienungsanleitung finden, an ein von Hitachi autorisiertes Servicecenter.

ANMERKUNG:

Aufgrund des ständigen Forschungs- und Entwicklungsprogramms von HITACHI sind Änderungen der hierin gemachten technischen Angaben nicht ausgeschlossen.

Information über Betriebslärm und Vibration

Die gemessenen Werte wurden entsprechend EN60745 bestimmt und in Übereinstimmung mit ISO 4871 ausgewiesen.

Der typische A-gewichtete Schalleistungspegel ist 98 dB (A)

Der typische A-gewichtete Schalldruck ist 87 dB (A)
Messunsicherheit KpA: 3 dB (A)

Bei der Arbeit immer einen Ohrschutz tragen.

Der typische gewichtete Effektiv-Beschleunigungswert überschreitet nicht 2,5 m/s².

ΓΕΝΙΚΑ ΜΕΤΡΑ ΑΣΦΑΛΕΙΑΣ

ΠΡΟΣΟΧΗ!

Διαβάστε όλες τις οδηγίες

Αν δεν τηρηθούν όλες οι οδηγίες που αναφέρονται παρακάτω, ενδέχεται να προκληθεί ηλεκτροπληξία, πυρκαγιά ή/και σοβαρός τραυματισμός.

Ο όρος “ηλεκτρικό εργαλείο” σε όλες τις προειδοποιήσεις που αναφέρονται παρακάτω αναφέρεται στο ηλεκτρικό εργαλείο που λειτουργεί με το ρεύμα του ηλεκτρικού δικτύου (με καλώδιο) ή στο ηλεκτρικό εργαλείο που λειτουργεί με μπαταρία (χωρίς καλώδιο).

ΦΥΛΑΞΤΕ ΑΥΤΕΣ ΤΙΣ ΟΔΗΓΙΕΣ

1) Χώρος εργασίας

a) **Διατηρείτε το χώρο εργασίας καθαρό και καλά φωτισμένο.**

Οι ακατάστατοι και οι σκοτεινοί χώροι έχουν την τάση να προκαλούν ατυχήματα.

b) **Μη χρησιμοποιείτε τα ηλεκτρικά εργαλεία σε εκρηκτικές ατμόσφαιρες, όπως όταν είναι παρόντα εύφλεκτα υγρά, αέρια ή σκόνη.**

Τα ηλεκτρικά εργαλεία δημιουργούν σπινθήρες οι οποίοι ενδέχεται να προκαλέσουν την ανάφλεξη αυτών των υλικών.

c) **Κρατήστε τα παιδιά και τους παρευρισκόμενους μακριά όταν χρησιμοποιείτε ένα ηλεκτρικό εργαλείο.** Αν αποσπαστεί η προσοχή σας, υπάρχει κίνδυνος να χάσετε τον έλεγχο.

2) Ηλεκτρική ασφάλεια

a) **Τα φως των ηλεκτρικών εργαλείων πρέπει να είναι κατάλληλα για τις πρίζες.**

Μην τροποποιήσετε ποτέ το φως με οποιονδήποτε τρόπο.

Μη χρησιμοποιείτε φως προσαρμογής με γειωμένα ηλεκτρικά εργαλεία.

Τα μη τροποποιημένα φως και οι κατάλληλες πρίζες μειώνουν τον κίνδυνο ηλεκτροπληξίας.

b) **Αποφύγετε τη σωματική επαφή με γειωμένες επιφάνειες όπως σωλήνες, θερμάστρες, μαγειρικές συσκευές και ψυγεία.**

Υπάρχει αυξημένος κίνδυνος ηλεκτροπληξίας όταν το σώμα σας είναι γειωμένο.

c) **Μην εκθέτετε τα ηλεκτρικά εργαλεία στη βροχή ή σε συνθήκες υγρασίας.**

Το νερό που εισέρχεται σε ένα ηλεκτρικό εργαλείο αυξάνει τον κίνδυνο ηλεκτροπληξίας.

d) **Μην ασκείτε δύναμη στο καλώδιο. Μη χρησιμοποιείτε ποτέ το καλώδιο για να μεταφέρετε, να τραβήξετε ή να βγάλετε από την πρίζα το ηλεκτρικό εργαλείο.**

Κρατήστε το καλώδιο μακριά από θερμότητα, λάδι, κοφτερές γωνίες και κινούμενα μέρη.

Τα κατεστραμμένα ή μπερδεμένα καλώδια αυξάνουν τον κίνδυνο ηλεκτροπληξίας.

e) **Όταν χρησιμοποιείτε το εργαλείο σε εξωτερικό χώρο, χρησιμοποιήστε καλώδιο προέκτασης που προορίζεται για χρήση σε εξωτερικό χώρο.**

Η χρήση ενός καλωδίου κατάλληλου για εξωτερικό χώρο μειώνει τον κίνδυνο ηλεκτροπληξίας.

3) Προσωπική ασφάλεια

a) **Να είστε σε ετοιμότητα, να βλέπετε αυτό που κάνετε και να χρησιμοποιείτε την κοινή λογική όταν χρησιμοποιείτε ένα ηλεκτρικό εργαλείο.**

Μη χρησιμοποιείτε ηλεκτρικά εργαλεία όταν είστε κουρασμένοι ή υπό την επήρεια ναρκωτικών ουσιών, οινοπνεύματος ή φαρμάκων.

Μια στιγμή απροσεξίας κατά τη χρήση ενός ηλεκτρικού εργαλείου μπορεί να προκαλέσει σοβαρό προσωπικό τραυματισμό.

b) **Χρησιμοποιείτε εξοπλισμό ασφαλείας, Να φοράτε πάντοτε προστατευτικά γυαλιά για τα μάτια.**

Εξοπλισμός ασφαλείας όπως μάσκα για τη σκόνη, αντιολισθητικά υποδήματα, σκληρό κάλυμμα κεφαλής ή προστατευτικά ακοής που χρησιμοποιούνται στις αντίστοιχες συνθήκες μειώνουν τις πιθανότητες τραυματισμού.

c) **Να αποφεύγετε την κατά λάθος έναρξη λειτουργίας. Να βεβαιώνετε ότι ο διακόπτης είναι στην κλειστή θέση (off) πριν τοποθετήσετε το φως στην πρίζα.**

Η μεταφορά ηλεκτρικών εργαλείων με το δάχτυλο στο διακόπτη λειτουργίας ή η σύνδεση ηλεκτρικών εργαλείων στο ρεύμα με το διακόπτη ανοιχτό αυξάνει τις πιθανότητες ατυχήματος.

d) **Να αφαιρείτε τυχόν κλειδιά ρυθμιζόμενου ανοιγματος ή τα απλά κλειδιά πριν θέσετε σε λειτουργία το ηλεκτρικό εργαλείο.**

Ένα απλό κλειδί ή ένα κλειδί ρυθμιζόμενου ανοιγματος που είναι προσαρτημένο σε περιστρεφόμενο εξάρτημα του ηλεκτρικού εργαλείου μπορεί να προκαλέσει προσωπικό τραυματισμό.

e) **Μην τεντώνετε. Να διατηρείτε πάντοτε το κατάλληλο πάτημα και την ισορροπία σας.**

Με αυτόν τον τρόπο μπορείτε να ελέγχετε καλύτερα το ηλεκτρικό εργαλείο σε μη αναμενόμενες καταστάσεις.

f) **Να είστε ντυμένοι κατάλληλα. Μη φοράτε φαρδιά ρούχα ή κοσμήματα. Να κρατάτε τα μαλλιά σας, τα ρούχα σας και τα γάντια σας μακριά από κινούμενα μέρη.**

Τα φαρδιά ρούχα, τα κοσμήματα και τα μακριά μαλλιά μπορεί να πιαστούν σε κινούμενα μέρη.

g) **Αν παρέχονται εξαρτήματα για τη σύνδεση συσκευών εξαγωγής και συλλογής σκόνης, να βεβαιώνετε ότι είναι συνδεδεμένα και χρησιμοποιούνται με το σωστό τρόπο.**

Η χρήση αυτών των συσκευών μπορεί να μειώσει τους κινδύνους που σχετίζονται με τη σκόνη.

4) Χρήση και φροντίδα ηλεκτρικών εργαλείων

a) **Μην ασκείτε δύναμη στο ηλεκτρικό εργαλείο. Να χρησιμοποιείτε το ηλεκτρικό εργαλείο που είναι κατάλληλο για το είδος της εργασίας που εκτελείτε.**

Το κατάλληλο ηλεκτρικό εργαλείο θα εκτελέσει την εργασία καλύτερα και με μεγαλύτερη ασφάλεια με τον τρόπο που σχεδιάστηκε.

b) **Μη χρησιμοποιήσετε το ηλεκτρικό εργαλείο αν ο διακόπτης λειτουργίας δεν ανοίγει και δεν κλείνει.** Ένα ηλεκτρικό εργαλείο που δεν ελέγχεται από το διακόπτη λειτουργίας είναι επικίνδυνο και πρέπει να επισκευαστεί.

c) **Βγάλετε το φως από την πρίζα πριν κάνετε οποιοδήποτε ρυθμίσεις, αλλάξετε εξαρτήματα ή αποθηκεύσετε το ηλεκτρικό εργαλείο.**

Αυτά τα προληπτικά μέτρα ασφαλείας μειώνουν τον κίνδυνο να ξεκινήσει το ηλεκτρικό εργαλείο κατά λάθος.

- d) Αποθηκεύετε τα εργαλεία που δεν χρησιμοποιείτε μακριά από παιδιά και μην αφήνετε τα άτομα που δεν είναι εξοικειωμένα με το ηλεκτρικό εργαλείο ή με αυτές τις οδηγίες να χρησιμοποιούν το ηλεκτρικό εργαλείο.

Τα ηλεκτρικά εργαλεία είναι επικίνδυνα στα χέρια μη εκπαιδευμένων ατόμων.

- e) Συντηρείτε τα ηλεκτρικά εργαλεία. Να ελέγχετε την ευθυγράμμιση τους ή το μπλοκάρισμα των κινούμενων μερών, τη θραύση των εξαρτημάτων και οποιαδήποτε άλλη κατάσταση που ενδέχεται να επηρεάσει τη λειτουργία του ηλεκτρικού εργαλείου. Σε περίπτωση βλάβης, το ηλεκτρικό εργαλείο πρέπει να επισκευαστεί πριν χρησιμοποιηθεί.

Πολλά ατυχήματα προκαλούνται από ηλεκτρικά εργαλεία που δεν έχουν συντηρηθεί σωστά.

- f) Διατηρείτε τα εργαλεία κοπής κοφτερά και καθαρά. Τα κατάλληλα συντηρημένα εργαλεία κοπής με κοφτερές γωνίες μπλοκάρουν πιο δύσκολα και ελέγχονται πιο εύκολα.

- g) Χρησιμοποιείτε το ηλεκτρικό εργαλείο, τα εξαρτήματα, τις μύτες των εργαλείων κλπ., σύμφωνα με αυτές τις οδηγίες και με τρόπο που είναι κατάλληλος για τον συγκεκριμένο τύπο ηλεκτρικού εργαλείου, λαμβάνοντας υπόψη τις συνθήκες εργασίας και την εργασία που πρόκειται να εκτελεστεί.

Η χρήση του ηλεκτρικού εργαλείου σε λειτουργίες διαφορετικές από εκείνες για τις οποίες προορίζεται μπορεί να δημιουργήσει επικίνδυνες καταστάσεις.

5) Σέρβις

- a) Να δίνετε το ηλεκτρικό εργαλείο για σέρβις σε κατάλληλα εκπαιδευμένα άτομα και να χρησιμοποιείτε μόνο γνήσια ανταλλακτικά.

Με αυτόν τον τρόπο είστε σίγουροι για την ασφάλεια του ηλεκτρικού εργαλείου.

ΠΡΟΦΥΛΑΞΗ

Μακριά από τα παιδιά και τους αναπήρους. Όταν δεν χρησιμοποιούνται, τα εργαλεία πρέπει να φυλάζονται μακριά από τα παιδιά και τους αναπήρους.

ΜΕΤΡΑ ΑΣΦΑΛΕΙΑΣ ΓΙΑ ΤΗ ΧΡΗΣΗ ΕΡΓΑΛΕΙΟΥ ΛΕΙΑΝΣΗΣ ΜΕ ΙΜΑΝΤΑ

ΠΡΟΣΟΧΗ

Πριν την εργασία λείανσης ελέγχετε το υλικό προς λείανση.

Αν αναμένεται η δημιουργία επιβλαβούς / τοξικής σκόνης, όπως μολυβδούχων χρωμάτων, ξύλων και μετάλλου κατά την εργασία λείανσης, βεβαιωθείτε ότι έχετε συνδέσει καλά την σακούλα σκόνης ή το κατάλληλο σύστημα εξαγωγής σκόνης στην έξοδο σκόνης.

Να φοράτε επιπλέον μάσκα σκόνης, ένα υπάρχει.

Μην εισπνέετε ή αγγίζετε την επιβλαβή / τοξική σκόνη που δημιουργείται κατά την εργασία λείανσης. Η σκόνη μπορεί να θέσει σε κίνδυνο την υγεία σας και αυτή των παρευρισκομένων.

ΠΡΟΔΙΑΓΡΑΦΕΣ

Τάση (ανά περιοχή)	(110V, 120V, 230V, 240V) ~
Είσοδος*	1020 W
Ταχύτητα ιμάντα άνευ φορτίου	250 – 450 m/min
Μέγεθος γυαλόχαρτου ιμάντα	76 × 533 mm
Βάρος (χωρίς καλώδιο)	4,3 kg

* Ελέγξτε την ετικέτα στο προβόν καθώς υπάγεται σε αλλαγές από περιοχή σε περιοχή.

ΤΥΠΙΚΑ ΕΞΑΡΤΗΜΑΤΑ

- (1) Ατέρμων ιμάντας λείανσης (μέγεθος γυαλόχαρτου: #80) 1
 (2) Σακούλα σκόνης 1
 Τα τυπικά εξαρτήματα υπάγονται σε αλλαγές δίχως προηγούμενη ειδοποίηση.

ΠΡΟΔΙΟΡΕΤΙΚΑ ΕΞΑΡΤΗΜΑΤΑ – πωλούνται ξεχωριστά

1. Ατέρμονοι ιμάντες λείανσης

Πίνακας 1

Μέγεθος γυαλόχαρτου	Τύπος γυαλόχαρτου
30	AA
40	AA, WA
60	AA, WA
80	AA, WA
100	AA, WA
120	AA, WA
150	AA, WA
180	AA, WA
240	AA, WA
320	AA
400	AA

ΣΗΜΕΙΩΣΗ:

Ο ατέρμων μάντας λείανσης πωλείται σε πακέτα των 10 μάντων ιδίου τύπου. Κατά την παραγγελία, καθορίστε τον τύπο του γυαλόχαρτου και το μέγεθος του γυαλόχαρτου που επιθυμείτε.

2. Σταθερή βάση

Κατά τη λείανση μικρών αντικειμένων, χρησιμοποιήστε σταθερή βάση για μεγαλύτερη άνεση.

Τα προαιρετικά εξαρτήματα υπάρχει περίπτωση να αλλάξουν χωρίς προειδοποίηση.

ΕΦΑΡΜΟΓΕΣ

- Τελείωμα λείανσης και τελείωμα κατασκευής δαπέδου με προϊόντα ξύλου.
- Στίλβωση βάσης επενδυμένων με ξύλο επιφανειών.
- Τελείωμα λείανσης μεταλλικών επιφανειών.
- Στίλβωση βάσης επενδυμένων με μέταλλο επιφανειών, αφαίρεση σκουριάς ή αφαίρεση χρώματος πριν το τελείωμα.
- Τελείωμα επιφανειών υλικών από σχιστόλιθο, σκυρόδεμα και παρόμοια προϊόντα.

ΠΡΙΝ ΤΗ ΛΕΙΤΟΥΡΓΙΑ**1. Πηγή ρεύματος**

Βεβαιωθείτε ότι η πηγή ρεύματος που πρόκειται να χρησιμοποιηθεί είναι εναρμονισμένη με τις απαιτήσεις σε ρεύμα που αναφέρεται στην πινακίδα του εργαλείου.

2. Διακόπτης ρεύματος

Βεβαιωθείτε ότι ο διακόπτης ρεύματος βρίσκεται στη θέση OFF. Αν το βίσμα είναι στη μπρίζα καθώς ο διακόπτης ρεύματος βρίσκεται στο ON, το εργαλείο θα αρχίσει να λειτουργεί αμέσως, με πιθανότητα πρόκλησης σοβαρού ατυχήματος.

3. Καλώδιο προέκτασης

Όταν ο χώρος εργασίας βρίσκεται μακριά από την παροχή ρεύματος. Χρησιμοποιήστε ένα καλώδιο προέκτασης με κατάλληλο πάχος και ικανότητα μεταφοράς ρεύματος. Το καλώδιο προέκτασης πρέπει να είναι τόσο κοντό όσο είναι πρακτικά δυνατό.

4. Σύνδεση μάντα λείανσης.

Για λεπτομέρειες, ανατρέξτε στην ενότητα “Συναρμολόγηση μάντα λείανσης”

ΧΕΙΡΙΣΜΟΣ ΙΜΑΝΤΑ ΛΕΙΑΝΣΗΣ**ΠΡΟΣΟΧΗ:**

Βεβαιωθείτε ότι έχετε απενεργοποιήσει το εργαλείο και έχετε αποσυνδέσει το βύσμα από την υποδοχή για αποφυγή σοβαρού προβλήματος.

1. Πως να συνδέσετε τον μάντα λείανσης

- (1) Τραβήξτε το μοχλό με το δάχτυλο προκειμένου η τροχαλία αδρανοποίησης να κινηθεί προς τα πίσω. (Σχ. 1)
- (2) Τοποθετήστε τον στην τροχαλία κίνησης και αδρανοποιήστε τον περνώντας τον πάνω από το εξωτερικό της πλάκας πέλματος και εξασφαλίζοντας ότι το βέλος στο εσωτερικό του μάντα συμπίπτει με την κατεύθυνση περιστροφής της τροχαλίας κίνησης. (Σχ. 2)

- (3) Ωθήστε το μοχλό με το δάχτυλο προκειμένου η τροχαλία αδρανοποίησης να κινηθεί προς τα εμπρός και να δώσει την κατάλληλη τάνυση στον μάντα λείανσης.

Σε αυτή την περίπτωση, προσέξτε ώστε να μην χτυπήσετε το δάχτυλό σας στο μοχλό. Στη συνέχεια, προσαρμόστε τη θέση του μάντα λείανσης.

ΠΡΟΣΟΧΗ

Αν ο μάντας λείανσης τοποθετηθεί στη λάθος κατεύθυνση θα μειώσει την απόδοση λειτουργίας και θα μικρύνει τη διάρκεια ζωής του μάντα λείανσης.

2. Πώς να αφαιρέσετε τον μάντα λείανσης

Τραβήξτε το μοχλό με το δάχτυλο προκειμένου ο μάντας λείανσης να χαλαρώσει και να μπορεί να αφαιρεθεί από τις τροχαλίες με ευκολία.

ΑΦΑΙΡΕΣΗ ΣΚΟΝΗΣ

Όταν έχει αποθεθεί υπερβολική ποσότητα σκόνης στη σακούλα σκόνης, η απόδοση της συλλογής σκόνης μειώνεται αισθητά. Αφαιρέστε τη σκόνη από τη σακούλα όταν αυτή έχει γεμίσει μέχρι τα 2/3 περίπου, εξασφαλίζοντας έτσι την απόδοση της συλλογής σκόνης (καθώς και την απόδοση λειτουργίας).

Αφαιρέστε τη σκόνη από τη σακούλα ως εξής:

- (1) Χαλαρώστε τη μπάρα στήριξης και αφαιρέστε τη σακούλα σκόνης. (Σχ. 5)
- (2) Η είσοδος της σακούλας ανοίγεται με άνοιγμα του φερμουάρ.

ΠΩΣ ΝΑ ΧΡΗΣΙΜΟΠΟΙΕΙΤΕ ΤΟ ΕΡΓΑΛΕΙΟ ΛΕΙΑΝΣΗΣ ΜΕ ΙΜΑΝΤΑ**1. Πώς να ρυθμίσετε τη θέση λείανσης.**

Πιέστε το διακόπτη και στρέψτε τον μάντα λείανσης στη θέση ελέγχου. Προσαρμόστε τον μάντα λείανσης ώστε και οι δύο άκρες να προεξέχουν 1,6 mm - 3 mm από τις άκρες των τροχαλιών.

Αν ο μάντας λείανσης λειτουργεί τοποθετημένος αρκετά μέσα, αυτό μπορεί να προκαλέσει τριβή και να καταστρέψει το μηχανήμα.

Ρυθμίστε τη θέση του μάντα λείανσης στρέφοντας τον κοχλία ρύθμισης (Σχ. 3)

- Στρέψτε τον κοχλία ρύθμισης δεξιόστροφα για να μετακινήσετε τον μάντα προς τα μέσα.
- Στρέψτε τον κοχλία ρύθμισης αριστερόστροφα για να μετακινήσετε τον μάντα προς τα έξω.

ΠΡΟΣΟΧΗ

Αν ο μάντας λείανσης κινείται κατά τη λειτουργία, η ρύθμιση μπορεί να διενεργηθεί κατά τη λειτουργία.

2. Για να ενεργοποιήσετε το διακόπτη

Ενεργοποιήστε το διακόπτη ενώ κρατάτε το μηχανήμα μακριά από την επιφάνεια εργασίας. Αν το μηχανήμα τοποθετηθεί στην επιφάνεια, όταν πιέσετε το διακόπτη, η επιφάνεια ενδέχεται να χαραχθεί βαθιά. Το ίδιο ισχύει και κατά την απενεργοποίηση του μηχανήματος.

3. Πώς να κρατάτε το μηχάνημα

Πιάστε τη λαβή και το μπουτόν λαβής και κρατήστε το μηχάνημα ενάντια στην επιφάνεια εργασίας προκειμένου το μηχάνημα να αγγίζει την επιφάνεια ελαφρά.

Το βάρος του ίδιου του μηχανήματος επαρκεί για λείανση και στίλβωση μέγιστης απόδοσης.

Μην ασκείτε πρόσθετη πίεση καθώς αυτό μπορεί να επιβαρύνει με αχρείαστο φορτίο το μοτέρ, να μειώσει τη διάρκεια ζωής του ιμάντα λείανσης και να μειώσει την απόδοση λειτουργίας. (Σχ. 4)

4. Πώς να κινείτε το μηχάνημα

Κινείτε το μηχάνημα αρχικά προς τα εμπρός και στη συνέχεια προς τα πίσω, επαναλαμβάνοντας αυτή την κίνηση. (Σχ. 4)

5. Πώς να επιλέγετε τον κατάλληλο ιμάντα λείανσης

Επιλέγετε ιμάντα λείανσης με κατάλληλο μέγεθος και τύπο γυαλόχαρτου για κάθε σκοπό, αφού ανατρέξετε στον Πίνακα 2 και 3 παρακάτω

Πίνακας 2

Παράγωγο τελείωμα	Κατάλληλο μέγεθος γυαλόχαρτου
Τραχύ τελείωμα	30 – 40
Μέσο τελείωμα	40 – 100
Ημι-λείο τελείωμα	80 – 240
Λείο τελείωμα	180 – 400

Πίνακας 3

Τύπος γυαλόχαρτου	Επιφάνεια εργασίας
AA	Χάλυβας, Ξύλο
WA	Ξύλο, μπαμπού

ΠΡΟΣΟΧΗ

- Για το μέγεθος γυαλόχαρτου, ανατρέξτε στον Πίνακα 3
- Το γυαλόχαρτο του ιμάντα λείανσης θα πρέπει να είναι πιο τραχύ από το γυαλόχαρτο που χρησιμοποιείται για χειροκίνητες εργασίες.
- Χρησιμοποιείτε ιμάντα λείανσης ίδιου μεγέθους με το γυαλόχαρτο ώστε να πετύχετε ομοιόμορφη επιφάνεια. Η αλλαγή μεγέθους γυαλόχαρτου μπορεί να έχει επιφέρει μη-ικανοποιητικό τελείωμα.

6. Πώς να λειτουργείτε το διακόπτη

Ο διακόπτης λειτουργίας ενεργοποιείται όταν τραβήξετε τη σκανδάλη. Αν πατήσετε τον αναστολέα μια φορά, τότε ο διακόπτης λειτουργίας ασφαλίζεται επιτρέποντας συνεχή λειτουργία.

Ο αναστολέας ελευθερώνεται τραβώντας τη σκανδάλη. (Σχ. 5)

7. Ρύθμιση της ταχύτητας του ιμάντα

Το εργαλείο λείανσης με ιμάντα είναι εξοπλισμένο με ηλεκτρικό κύκλωμα ελέγχου το οποίο ενεργοποιεί τον ελεγκτή ομαλής ταχύτητας. Για ρύθμιση της ταχύτητας, στρέψτε τον επιλογέα που εμφανίζεται στο Σχ. 6.

Όταν ο επιλογέας ρυθμιστεί στη θέση "1" το εργαλείο λείανσης με ιμάντα λειτουργεί στην ελάχιστη ταχύτητα. Όταν ο επιλογέας ρυθμιστεί στη θέση "5", το εργαλείο λείανσης με ιμάντα λειτουργεί στη μέγιστη ταχύτητα.

8. Πώς να εργάζεστε στις γωνίες

Οι γωνίες μπορούν να λειανθούν και να στίλβωθούν χρησιμοποιώντας το μηχάνημα όπως φαίνεται στο Σχ. 7.

ΣΥΝΤΗΡΗΣΗ ΚΑΙ ΕΛΕΓΧΟΣ

1. Έλεγχος του ιμάντα λείανσης

Επειδή η συνεχής χρήση φθαρμένου ιμάντα μειώνει την αποδοτικότητα, θα πρέπει να αντικαθιστάτε τον ιμάντα λείανσης αμέσως μόλις εντοπίσετε υπερβολική τριβή.

2. Έλεγχος των βιδών στερέωσης

Ελέγχετε περιοδικά όλες τις βίδες στερέωσης και βεβαιωθείτε ότι είναι κατάλληλα σφιγμένες. Στην περίπτωση που χαλαρώσει οποιαδήποτε βίδα σφίξτε την ξανά αμέσως. Αν δεν το κάνετε αυτό μπορεί να έχει ως αποτέλεσμα το σοβαρό τραυματισμό.

3. Συντήρηση του μοτέρ

Η περιέλιξη της μονάδα του μοτέρ είναι η καρδιά του ηλεκτρικού εργαλείου. Δώστε μεγάλη προσοχή για να σιγουρευτείτε ότι η περιέλιξη δεν θα πάθει ζημιά και / ή θα βρεχθεί με λάδι ή νερό.

4. Έλεγχος στα καρβουνάκια

Για την συνεχιζόμενη ασφάλεια σας και την προστασία σας από την ηλεκτροπληξία, ο έλεγχος στα καρβουνάκια και η αντικατάσταση αυτού του εργαλείου πρέπει ΜΟΝΟ να γίνεται από ένα ΕΞΟΥΣΙΟΔΟΤΗΜΕΝΟ ΚΕΝΤΡΟ ΣΕΡΒΙΣ ΤΗΣ HITACHI.

5. Αντικατάσταση του καλωδίου παροχής ρεύματος

Αν το καλώδιο παροχής ρεύματος του Εργαλείου πάθει ζημιά, το Εργαλείο πρέπει να επιστραφεί στο Εξουσιοδοτημένο Κέντρο Εξυπηρέτησης Hitachi για να αντικατασταθεί.

6. Λίστα συντήρησης των μερών

ΠΡΟΣΟΧΗ

Η επισκευή, η τροποποίηση και ο έλεγχος των Ηλεκτρικών Εργαλείων Hitachi πρέπει να γίνεται από ένα Εξουσιοδοτημένο Κέντρο Σέρβις της Hitachi. Αυτή η λίστα των Μερών θα είναι χρήσιμη αν παρουσιαστεί μαζί με το εργαλείο στο Εξουσιοδοτημένο Κέντρο Σέρβις της Hitachi όταν ζητάτε επισκευή ή κάποια άλλη συντήρηση. Κατά τον έλεγχο και τη συντήρηση των ηλεκτρικών εργαλείων, οι κανόνες ασφαλείας και οι κανονισμοί που υπάρχουν σε κάθε χώρα πρέπει να ακολουθούνται.

ΤΡΟΠΟΠΟΙΗΣΗ

Τα Ηλεκτρικά Εργαλεία Hitachi βελτιώνονται συνεχώς και τροποποιούνται για να συμπεριλάβουν τις τελευταίες τεχνολογικές προόδους. Κατά συνέπεια, ορισμένα τμήματα μπορούν να αλλάξουν χωρίς προηγούμενη ειδοποίηση.

ΕΓΓΥΗΣΗ

Εγγυώμαστε τα εργαλεία Hitachi Power Tools σύμφωνα με τη νομοθεσία και τους κανονισμούς ανά χώρα. Η παρούσα εγγύηση δεν καλύπτει ελαττώματα ή ζημιές λόγω κακής χρήσης, κακοποίησης ή φυσιολογικής φθοράς. Σε περίπτωση παραπόνων παρακαλούμε αποστείλετε το Power Tool χωρίς να το αποσυναρμολογήσετε μαζί με το ΠΙΣΤΟΠΟΙΗΤΙΚΟ ΕΓΓΥΗΣΗΣ το οποίο βρίσκεται στο τέλος των οδηγιών αυτών, σε Εξουσιοδοτημένο Κέντρο Επισκευής της Hitachi.

ΣΗΜΕΙΩΣΗ

Εξαιτίας του συνεχιζόμενου προγράμματος έρευνας και ανάπτυξης της Hitachi τα τεχνικά χαρακτηριστικά που εδώ αναφέρονται μπορούν να αλλάξουν χωρίς προηγούμενη ειδοποίηση.

Πληροφορίες που αφορούν τον εκπεμπόμενο θόρυβο και τη δόνηση

Οι τιμές μετρήθηκαν σύμφωνα με το EN60745 και βρέθηκαν σύμφωνες με το ISO 4871.

Μέτρηση στάθμης ισχύος ήχου εξισορροπημένου A: 98 dB(A)

Μέτρηση στάθμης πίεσης ήχου εξισορροπημένου A: 87 dB(A)

Αβεβαιότητα K_pA: 3 dB(A)

Φοράτε προστατευτικά αυτιών.

Μια τυπική τιμή ρίζας μέσης τετραγωνικής επιτάχυνσης δεν πρέπει να ξεπερνά 2,5 m/s²

OGÓLNE WSKAZÓWKI BEZPIECZEŃSTWA

OSTRZEŻENIE!

Należy przeczytać wszystkie instrukcje

Nieprzeczytanie któregośkolwiek z zamieszczonych poniżej zaleceń może być przyczyną porażenia prądem elektrycznym, pożaru i/lub poważnych obrażeń ciała. Występujące w poniższych ostrzeżeniach wyrażenie "urządzenie elektryczne" oznacza urządzenia zasilane z sieci elektrycznej (za pomocą przewodu) lub baterii (bezprowadowo).

INSTRUKCJE POWINNY BYĆ ZACHOWANE NA PRZYSZŁOŚĆ

1) Miejsce pracy

- Miejsce pracy powinno być uprzątnięte i czyste.**
W miejscach nieuporządkowanych i źle oświetlonych ryzyko wypadku jest większe.
- Nie należy używać urządzeń elektrycznych w przypadku zagrożenia wybuchem, na przykład w obecności łatwopalnych płynów, gazów lub pyłów.**
Urządzenia elektryczne wytwarzają iskry, które mogą spowodować zapłon pyłu.
- Dzieci i osoby postronne nie powinny znajdować się w pobliżu pracującego urządzenia elektrycznego.**
Odwrócenie uwagi użytkownika może spowodować utratę kontroli nad urządzeniem.

2) Bezpieczeństwo elektryczne

- Wtyczka urządzenia elektrycznego musi być odpowiednia do gniazdka.**
Nigdy nie należy w jakikolwiek sposób przerabiać wtyczki.
Nie używać jakichkolwiek elementów łączących z urządzeniami wymagającymi uziemienia.
Używanie tylko oryginalnych wtyczek pasujących do gniazdka ogranicza ryzyko porażenia prądem elektrycznym.
- Unikać kontaktu z przedmiotami uziemionymi, takimi jak rury, kaloryfery, kuchenki i urządzenia chłodnicze.**
W przypadku dotykania uziemienia ryzyko porażenia prądem elektrycznym jest większe.
- Nie narażać urządzeń elektrycznych na działanie deszczu lub wilgoci.**
Przedostanie się wody do urządzenia zwiększa ryzyko porażenia prądem elektrycznym.
- Odpowiednio używać przewodów zasilających.**
Nigdy nie wykorzystywać przewodu do przenoszenia lub ciągnięcia urządzenia lub też wyciągania wtyczki z gniazdka.
Utrzymywać przewód z dala od źródeł ciepła, oleju, ostrych krawędzi lub części ruchomych.
Uszkodzenie lub nacięcie przewodu zwiększa ryzyko porażenia prądem elektrycznym.
- Podczas pracy z urządzeniem elektrycznym na wolnym powietrzu należy używać odpowiedniego przedłużacza.**
Używanie przedłużacza przeznaczonego do pracy na wolnym powietrzu zmniejsza ryzyko porażenia prądem elektrycznym.

3) Bezpieczeństwo osobiste

- Podczas pracy z urządzeniem elektrycznym należy zachowywać koncentrację i planować wykonywane zadania, kierując się zdrowym rozsądkiem.**
Urządzenia elektryczne nie powinny obsługiwać osoby zmęczone lub znajdujące się pod wpływem substancji odurzających, alkoholu lub lekarstw.
Chwila nieuwagi podczas pracy z urządzeniem może stać się przyczyną poważnych obrażeń.
- Używać wyposażenia ochronnego. Zawsze nosić okulary ochronne.**
Używanie wyposażenia ochronnego, takiego jak maski przeciwpyłowe, buty przeciwpoślizgowe, odpowiednie nakrycie głowy i słuchawki ogranicza ryzyko obrażeń ciała.
- Unikać nieprzewidzianego uruchomienia urządzenia. Przed włożeniem wtyczki do gniazdka upewnić się, że urządzenie jest wyłączone.**
Przenoszenie urządzenia z palcem na wyłączniku lub podłączenie do sieci włączonego urządzenia może spowodować wypadek.
- Przed włączeniem urządzenia usunąć wszelkiego rodzaju klucze regulacyjne.**
Pozostawienie klucza w ruchomej części urządzenia może spowodować obrażenia.
- Nie trzymać urządzenia zbyt daleko od siebie. Zachować stabilną pozycję przez cały czas.**
Umożliwia to pełne panowanie nad urządzeniem, nawet w nieoczekiwanych sytuacjach.
- Nosić odpowiednią odzież. Nie należy nosić luźnych ubrań oraz biżuterii. Utrzymywać włosy, odzież i rękawice z dala od ruchomych części urządzenia.**
Luźne ubrania, biżuteria lub długie włosy mogą zostać wciągnięte przez poruszające się części.
- Jeżeli urządzenie wyposażone jest w system odprowadzania pyłu, powinien on być założony i właściwie używany.**
Użycie tego rodzaju urządzeń ograniczy zagrożenia związane z gromadzeniem się pyłu.

4) Obsługa i konserwacja urządzenia

- Nie dociskać urządzenia zbyt mocno. Należy używać tylko właściwego urządzenia, odpowiedniego dla wykonywanej pracy.**
Użycie odpowiedniego urządzenia spowoduje, że praca zostanie wykonana lepiej i bezpieczniej.
- Nie używać urządzenia elektrycznego, którego wyłącznik jest niesprawny.**
Urządzenie, które nie może zostać wyłączone za pomocą wyłącznika, jest niebezpieczne i musi zostać przeznaczone do naprawy.
- Przed przystąpieniem do jakichkolwiek prac, jak na przykład wymiana akcesoriów, urządzenie musi zostać wyłączone z sieci. To samo dotyczy przechowywania urządzenia nieużywanego.**
Umożliwi to zmniejszenie ryzyka nieprzewidzianego uruchomienia urządzenia.
- Urządzenia elektryczne powinny być przechowywane poza zasięgiem dzieci oraz wszelkich osób nie znających zasad funkcjonowania i obsługi tego typu urządzeń.**
Obsługa urządzeń elektrycznych przez osoby nie znające zasad ich funkcjonowania jest niebezpieczna.

- e) Wykonywać odpowiednie prace konserwacyjne. Kontrolować prawidłowość ustawienia części ruchomych, ich uszkodzenia i wszelkie inne kwestie, mogące spowodować nieprawidłową pracę urządzenia.

Uszkodzone urządzenie powinno zostać natychmiast przekazane do naprawy.

Wiele wypadków spowodowane jest niewłaściwą konserwacją urządzeń elektrycznych.

- f) Narzędzia tnące powinny być naostrzone i czyste. Odpowiednio naostrzone narzędzia nie będą się wyginać i są łatwiejsze w używaniu.
- g) Urządzenie elektryczne, akcesoria, wiertła itd. powinny być używane zgodnie z niniejszymi zaleceniami oraz w sposób odpowiadający wykonywanej pracy, przy uwzględnieniu warunków panujących w otoczeniu.

Wykorzystanie urządzenia elektrycznego do pracy, do której nie jest ono przeznaczone, grozi wypadkiem.

5) Serwis

- a) Urządzenie powinno być serwisowane tylko przez osoby posiadające odpowiednie kwalifikacje, przy użyciu wyłącznie identycznych, oryginalnych części zamiennych.

Zapewni to utrzymanie pełnego bezpieczeństwa pracy z urządzeniem.

DANE TECHNICZNE

Napięcie (w zależności od miejsca)*	(110V, 120V, 230V, 240V) ~
Moc pobierana*	1020 W
Prędkość taśmy bez obciążenia	250 – 450 m/min
Rozmiary taśmy szlifierskiej	76 × 533 mm
Ciężar (bez przewodu)	4,3 kg

*Sprawdź nazwę produktu, jako że ulega ona zmianie w zależności od miejsca zakupu.

WYPOSAŻENIE STANDARDOWE

- (1) Ciągła taśma szlifierska (uziarnienie: #80) 1
 (2) Worek na pył 1
 Wyposażenie standardowe może ulec zmianie bez uprzedzenia.

MOŻLIWE WYPOSAŻENIE DODATKOWE

– sprzedawane oddzielnie

1. Ciągła taśma szlifierska

Tabela 1

Uziarnienie	Typ ziaren
30	AA
40	AA, WA
60	AA, WA
80	AA, WA
100	AA, WA
120	AA, WA
150	AA, WA
180	AA, WA
240	AA, WA
320	AA
400	AA

ŚRODKI OSTROŻNOŚCI

Dzieci i osoby niepełnosprawne nie powinny znajdować się w pobliżu urządzenia.

Nieużywane urządzenie powinno być przechowywane w miejscu poza zasięgiem dzieci i osób niepełnosprawnych.

WSKAZÓWKI BEZPIECZEŃSTWA DOTYCZĄCE UŻYTKOWANIA SZLIFIERKI TAŚMOWEJ

UWAGA

Przed przystąpieniem do szlifowania należy dokładnie sprawdzić szlifowany materiał.

Jeżeli można oczekiwać, że podczas szlifowania będzie wytwarzać się szkodliwy / toksyczny pył lub odpryski farby, drewna albo metalu, należy upewnić się, że do urządzenia został prawidłowo podłączony worek na pył lub inny odpowiedni system odprowadzania pyłu.

W miarę możliwości należy również nosić maskę ochronną.

Nie wdychać i nie dotykać szkodliwego / toksycznego pyłu wydzielanego podczas szlifowania - może to być niebezpieczne dla zdrowia użytkownika i osób postronnych.

UWAGA:

Taśmy szlifierskie sprzedawane są w zestawach po 10 sztuk tego samego rodzaju.

Przy składaniu zamówienia należy określić uziarnienie oraz typ taśmy.

2. Statyw mocujący

W przypadku szlifowania przedmiotów niewielkich rozmiarów dla ułatwienia należy użyć statywu.

Wyposażenie standardowe może ulec zmianie bez uprzedzenia.

ZASTOSOWANIE

- Szlifowanie wykończeniowe i wygładzanie drewna.
- Polerowanie powierzchni drewnianych.
- Szlifowanie wykończeniowe powierzchni metalowych.
- Szlifowanie powierzchni metalowych, usuwanie rdzy lub farby przed rozpoczęciem prac wykończeniowych.
- Prace wykończeniowe na powierzchniach wykonanych z łupku, betonu lub podobnych materiałów.

PRZED UŻYCIEM

1. Źródło mocy

Upewnij się, że źródło mocy jest zgodne z wymogami mocy zaznaczonymi przy nazwie produktu.

2. Przelącznik

Upewnij się, że przelącznik jest wyłączony (pozycja OFF). Jeśli wtyczka jest włączona do prądu podczas gdy przelącznik jest włączony (pozycja ON), narzędzie zacznie działać natychmiast, co może spowodować poważny wypadek.

3. Przedłużacz

Kiedy miejsce pracy znajduje się daleko od źródła prądu, użyj przedłużacza o wystarczającym przekroju. Przedłużacz powinien być tak krótki jak tylko jest to możliwe.

4. Założyć taśmę szlifierską.

Szczegółowe informacje zostały zamieszczone w rozdziale "Zakładanie taśmy szlifierskiej"

OBSŁUGA TAŚMY SZLIFERSKIEJ

UWAGA:

Upewnij się, że urządzenie jest wyłączone (OFF), a wtyczka przewodu zasilającego została wyjęta z gniazdka.

1. Zakładanie taśmy szlifierskiej

- (1) Pociągnąć dźwignię palcem - luźne koło pasowe przesunie się do tyłu. **(Rys. 1)**
- (2) Założyć taśmę na koło napędowe i luźne koło pasowe, przekładając ją nad płytą ślizgacza. Upewnij się, że strzałka znajdująca się po wewnętrznej stronie taśmy odpowiada kierunkowi obrotów koła napędowego **(Rys. 2)**.
- (3) Popchnąć dźwignię palcem - luźne koło pasowe przesunie się do przodu, napinając taśmę. Należy uważać, aby nie przycisnąć sobie palca dźwignią. Ustawić dokładne położenie taśmy.

UWAGA:

Założenie taśmy szlifierskiej w odwrotny sposób spowoduje zmniejszenie efektywności pracy oraz trwałości taśmy.

2. Zdejmowanie taśmy szlifierskiej

Pociągnąć dźwignię palcem - taśma zostanie poluzowana i będzie mogła zostać łatwo zdjęta z kół pasowych.

USUWANIE PYŁU

Jeżeli worek na pył jest zapelniony, wydajność gromadzenia pyłu zostanie zmniejszona.

Należy usuwać pył z worka, kiedy zajmuje on mniej więcej 2/3 jego pojemności - zapewni to skuteczniejsze działanie układu odprowadzania pyłu, a więc także całego urządzenia. Sposób usuwania pyłu z worka:

- (1) Poluzować pręt podtrzymujący i zdjąć worek na pył **(Rys. 5)**
- (2) Worek może zostać otwarty za pomocą zamka błyskawicznego.

OBSŁUGA SZLIFIERKI TAŚMOWEJ

1. Ustawianie właściwego położenia taśmy.

Wcisnąć przycisk i obrócić taśmę szlifierską do pozycji kontrolnej. Wyregulować położenie taśmy tak, aby jej obie krawędzie wystawały poza koła pasowe na mniej więcej 1,6 - 3 mm.

Jeżeli taśma będzie nadmiernie przesunięta do wewnątrz, może powodować tarcie i uszkodzenie urządzenia.

Położenie taśmy szlifierskiej jest ustawiane za pomocą śruby regulacyjnej **(Rys. 3)**.

- Obracać śrubę w kierunku zgodnym z ruchem wskazówek zegara, aby przesunąć taśmę do wewnątrz.
- Obracać śrubę w kierunku przeciwnym do ruchu wskazówek zegara, aby przesunąć taśmę na zewnątrz.

UWAGA:

Jeżeli taśma przemieszcza się podczas pracy, regulacja może zostać przeprowadzona, kiedy urządzenie pracuje.

2. Włączanie

Podczas włączania za pomocą wyłącznika głównego urządzenie nie może dotykać powierzchni, która ma być szlifowana. W przeciwnym wypadku powierzchnia może zostać poważnie porysowana.

To samo zalecenie dotyczy wyłączania urządzenia.

3. Sposób przytrzymywania urządzenia

Lekko przyłożyć urządzenie do obrabianej powierzchni, przytrzymując je za uchwyty.

Sam ciężar urządzenia jest wystarczający dla szlifowania i polerowania z odpowiednią wydajnością.

Nie należy dociskać urządzenia, ponieważ spowoduje to jedynie dodatkowe obciążenia silnika, niepotrzebne zużycie taśmy szlifierskiej i zmniejszenie efektywności pracy. **(Rys. 4)**

4. Prowadzenie urządzenia

Należy prowadzić urządzenie w przód, a potem w tył, powtarzając ten ruch wielokrotnie. **(Rys. 4)**

5. Wybór odpowiedniej taśmy szlifierskiej

Aby wybrać taśmę o właściwym uziarnieniu i rodzaju ziaren, należy zapoznać się z informacjami zamieszczonymi w poniższych **tabelach 2 i 3**.

Tabela 2

Wykończenie bardzo ogólne	Uziarnienie
Wykończenie grube	30 – 40
Wykończenie średnie	40 – 100
Wykończenie pół-drobne	80 – 240
Wykończenie drobne	180 – 400

Tabela 3

Rodzaj ziaren	Obrabiana powierzchnia
AA	Stal, Drewno
WA	Drewno, Bambus

UWAGA:

- Aby wybrać odpowiednie uziarnienie - patrz **tabela 3**
- Uziarnienie taśmy szlifierskiej powinno być grubsze niż papieru ściernego używanego podczas prac ręcznych.
- Należy używać taśmy o tym samym uziarnieniu aż do ostatecznego zakończenia pracy. Zmiana uziarnienia może spowodować nieprawidłowe wykończenie.

6. Obsługa wyłącznika

Urządzenie uruchamiane jest poprzez wciśnięcie przycisku spustowego. Po wciśnięciu blokady przycisk spustowy zostaje zablokowany, co umożliwi ciągłą pracę urządzenia. Blokada może zostać wyłączona poprzez wciśnięcie przycisku spustowego **(Rys. 5)**.

7. Regulacja prędkości taśmy

Szlifierka taśmowa wyposażona jest w elektryczny układ umożliwiający bezstopniową zmianę prędkości taśmy. Prędkość taśmy może być regulowana za pomocą pokrętła pokazanego na **Rys. 6**.

Kiedy pokrętło jest ustawione na "1", urządzenie pracuje z prędkością minimalną.

Ustawienie "5" odpowiada maksymalnej prędkości roboczej urządzenia.

8. Obróbka narożników

Narożniki mogą być szlifowane i polerowane w sposób pokazany na **Rys. 7**.

KONSERWACJA I INSPEKCJA**1. Sprawdzanie taśmy szlifierskiej**

Wykorzystywanie zużytej taśmy szlifierskiej powoduje znaczne zmniejszenie wydajności pracy. Taśma powinna być wymieniana na nową, kiedy tylko jest nadmiernie zużyta.

2. Sprawdzanie śrub mocujących

Regularnie sprawdzaj wszystkie mocujące śruby i upewnij się, że są mocno przykręcone. Jeśli któraś z nich się obluzuje, natychmiast ją przykręć. Zaniedbanie tego może spowodować poważne zagrożenie.

3. Konserwacja silnika

Wirnik silnika jest sercem narzędzia.

Zadbaj, by wirnik nie został uszkodzony i nie zawilgotniał lub pokrył się olejem.

4. Kontrola stanu szczotek węglowych

W celu zapewnienia pełnego bezpieczeństwa użytkownika i ochrony przed porażeniem prądem elektrycznym, kontrola i wymiana szczotek węglowych w tym urządzeniu mogą być przeprowadzane WYŁĄCZNIE przez Autoryzowany Punkt Serwisowy Hitachi.

5. Wymiana przewodu zasilającego

Jeżeli przewód zasilający urządzenia został uszkodzony, musi ono zostać przekazane do Autoryzowanego Punktu Serwisowego Hitachi w celu wymiany przewodu.

6. Lista części zamiennych**UWAGA:**

Naprawy, modyfikacji i kontroli Narzędzi Elektrycznych Hitachi może dokonywać tylko Autoryzowane Centrum Obsługi Hitachi.

Ta lista części będzie przydatna, jeśli zostanie wręczona Autoryzowanemu Centrum Obsługi Hitachi, gdy zanieśmy narzędzie do naprawy lub przeglądu.

Podczas używania i konserwacji narzędzi elektrycznych należy przestrzegać przepisów i norm bezpieczeństwa danego kraju.

MODYFIKACJE:

Narzędzia elektryczne Hitachi są ciągle ulepszone i modyfikowane w celu wprowadzania najnowszych osiągnięć nauki i techniki.

W związku z tym pewne części mogą ulec zmianom bez uprzedzenia.

GWARANCJA

Gwarancja na elektronarzędzia Hitachi jest udzielana z uwzględnieniem praw statutowych i przepisów krajowych. Gwarancja nie obejmuje wad i uszkodzeń powstałych w wyniku niewłaściwego użytkowania lub wynikających z normalnego zużycia. W wypadku reklamacji należy dostarczyć kompletne elektronarzędzie do autoryzowanego centrum serwisowego Hitachi wraz z KARTĄ GWARANCYJNĄ znajdującą się na końcu instrukcji obsługi.

WSKAZÓWKI

W związku z prowadzonym przez Hitachi programem badań i rozwoju, specyfikacje te mogą się zmienić w każdej chwili bez uprzedzenia.

Informacja dotycząca poziomu hałasu i wibracji

Mierzone wartości były określone według EN60745 i zadeklarowane zgodnie z ISO 4871.

Zmierzony poziom dźwięku A: 98 dB(A)

Zmierzone ciśnienie akustyczne A: 87 dB(A)

Niepewność KpA: 3 dB(A)

Używać ochraniacza uszu.

Standardowo, średnia ważona kwadratowa wartości przyspieszenia nie przekracza 2,5 m/s²

ÁLTALÁNOS BIZTONSÁGTECHNIKAI ELŐÍRÁSOK

FIGYELEM!

Olvassa végig az utasításokat

Az alábbi utasítások be nem tartása áramütést, tüzet és súlyos sérülést okozhat.

Az alábbi figyelmeztetésekben szereplő "elektromos szerszám" kifejezés az ön - hálózatról üzemeltetett (vezetékes) vagy akkumulátoros (vezeték nélküli) - elektromos szerszámjére vonatkozik.

ŐRIZZE MEG AZ UTASÍTÁSOKAT

1) A munkahely

a) A munkahelyet tartsa tisztán, és megfelelően világítsa meg.

A túlzásfűt és sötét munkahelyek vonzzák a baleseteket.

b) Az elektromos szerszámgepeket ne használja robbanásveszélyes légterben, például gyúlékony folyadékok, gázok vagy por mellett.

Az elektromos szerszámgepek szikrákat bocsáthatnak ki, melyek berobbanthatják a jelenlévő port.

c) A szerszám gép működtetése közben tartsa távol a gyermekeket és a körülállókát.

A figyelemelvonás a szerszám gép feletti kontroll elvesztését okozhatja.

2) Érintésvédelem

a) Az elektromos szerszám gép dugaszának illeszkednie kell a hálózati csatlakozóaljzatba.

Semmilyen körülmények között ne módosítsa a dugaszt.

Ne használjon semmilyen átalakító dugaszt a földelt elektromos szerszám géppel.

A módosítás nélküli dugaszok és a megfelelő aljzatok csökkentik az elektromos áramütés veszélyét.

b) Ügyeljen arra, hogy munka közben ne érintsen meg földelt felületeket, pl. csővezetékeket, fűtőtesteket, tűzhelyeket vagy hűtőberendezéseket.

Ha a kezelő teste földelve van, az áramütés veszélye megnő.

c) Az elektromos szerszám gépeket ne tegye ki eső vagy nedvesség hatásának.

Az elektromos szerszám gépbe kerülő víz növeli az áramütés veszélyét.

d) Ne rongálja meg az elektromos csatlakozókábelt.

A szerszám gépet ne hordozza a kábelnél fogva, és a villásdugót soha ne a kábelnél fogva húzza ki a dugaszolóaljzatból.

Védje a kábelt a magas hőmérséklettől, olajtól és az éles sarkoktól.

A sérült vagy összegabalyodott vezetékek növelik az elektromos áramütés veszélyét.

e) Ha a szabadban kell munkát végeznie, mindig csak az erre a célra alkalmas hosszabbító kábelt használjon.

A kültéri használatra alkalmas hosszabbító használat csökkenti az elektromos áramütés veszélyét.

3) A testi épség védelme

a) Mindig figyeljen oda a végzett munkára. Az elektromos szerszám géppel végzett munka teljes figyelmet igényel.

Ne használja a készüléket, ha nem érzi kaphatná magát, ha kábítószert, alkoholt vagy gyógyszer hatása alatt áll.

Egy pillanatnyi figyelmetlenség is súlyos sérülést okozhat.

b) Használjon védőfelszerelést. Mindig használjon védőszemüveget.

A védőfelszerelések, pl. a pomaszok, a csúszásbiztos biztonsági cipő, a védősisak és a füldugó használata csökkenti a sérülésveszélyt.

c) Kerülje a gép véletlenszerű beindítását. Mielőtt a csatlakozó dugót a dugaszolóaljzatba bedugja, mindig győződjék meg róla, hogy a készülék ki van kapcsolva.

Ne tartsa ujját az indító kapcsolón, ha hordozza a készüléket, és ne csatlakoztasson bekapcsolt készüléket az áramforrásra.

d) Mielőtt a gépet bekapcsolja, mindig ellenőrizze, hogy kivette-e a készülékből a szerszámbeállító- illetve befogókulcsot.

A forgó alkatrészekben maradt szerszámbeállító- vagy befogókulcs személyi sérülést okozhat.

e) Ne nyújtsa ki a kezét túl nagy távolságra. Munka közben mindig álljon stabilan, és őrizze meg az egyensúlyát.

Igy a váratlan helyzetekben sem veszt el a szerszám feletti uralmát.

f) Viseljen megfelelő munkaruhát. Munka közben ne viseljen bő öltözéket vagy ékszert. Haját, ruházatát és kesztyűjét tartsa távol a mozgó alkatrészeketől.

A bő öltözéket, ékszereket vagy a hosszú haját a mozgó alkatrészek elkapathatják.

g) Ha a készülék rendelkezik porelszívási, illetve -gyűjtési lehetőséggel, ügyeljen rá, hogy azok megfelelően legyenek csatlakoztatva és használva.

A fenti eszközök használata csökkenti a por okozta veszélyt.

4) Az elektromos szerszám gép használata és karbantartása

a) Ne erőltesse a szerszámot. Mindig az alkalmazásnak megfelelő szerszámot használjon. A megfelelő szerszám gép nominális teljesítményszinten jobban és biztonságosabban működik.

b) Ne használja a szerszámot, ha a kapcsoló azt nem kapcsolja megfelelően be, illetve ki.

A kapcsolóval nem szabályozható szerszám gép veszélyes, és azt meg kell javítani.

c) Mindig húzza ki a dugaszoló aljzatból a csatlakozó dugót, mielőtt a készüléken beállításokat végezne, kicserélné a tartozékokat, vagy mielőtt eltávolítaná a készüléket.

A fenti biztonsági óvintézkedések csökkentik a készülék véletlenszerű bekapcsolásának veszélyét.

d) A használaton kívüli szerszámokat tárolja gyermekek által nem hozzáférhető helyen, és ne engedje, hogy a készüléket az üzemeltetéshez nem értő személyek használják.

A gyakorlatlan használó kezében a szerszám gépek különösen nagy veszélyt jelentenek.

e) A szerszám gépek karbantartása. Ellenőrizze a mozgó alkatrészek illesztését, rögzítését, és alkatrészek esetleges repedését és minden olyan tulajdonságot, mely hatással lehet a munkavégzésre.

Meghibásodás esetén használat előtt javíttassa meg a készüléket.

A nem megfelelő karbantartás sok balesetet okoz.

- f) **A vágószerszámokat mindig tartsa élesen és tisztán.**
A megfelelően karbantartott - éles vágóélű-
vágószerszámok kisebb eséllyel görbülnek el, és
könnyebben irányíthatók.
- g) **Használja a szerszámgépet és a fúrófejeket stb.
az utasításoknak és az adott szerszámgép
rendeltetésének megfelelően, mindig figyelembe
véve a munkakörülményeket és az elvégzendő
munka jellegét.**
A szerszámgép rendeltetéstől eltérő használata
veszélyt okozhat.

5) Javítás

- a) **A szerszámot csak - eredeti cserealkatrészeket
használó - szakképzett személyrel javíttassa.**
Így biztosítható a szerszámgép biztonságos
üzemeltetése.

ÓVINTÉZKEDÉS

**A gyermekeket és a felügyeletre szoruló személyeket
tartsa távol az elektromos szerszámgéptől.**
**A használaton kívüli szerszámgépeket gyermekektől és
felügyeletre szoruló személyektől elzárva kell tartani.**

MŰSZAKI ADATOK

Feszültség (terület szerint)*	(110V, 120V, 230V, 240V) ~
Névleges teljesítményfelvétel*	1020 W
Üresjáratú szalagsebesség	250 – 450 m/min
Papír csiszolószalag mérete	76 × 533 mm
Súly (kábel nélkül)	4,3 kg

* Ne felejtse el ellenőrizni a típustáblán feltüntetett adatokat, mivel ezek eladási területenként változnak!

STANDARD TARTOZÉKOK

- (1) Végtelenített csiszolószalag
(szemcseméret: #80) 1
- (2) Porzsák 1
- A standard tartozékok előzetes tájékoztatás nélkül
változhatnak.

TETSZÉS SZERINT VÁLASZTHATÓ TARTOZÉKOK – külön megrendelésre

1. Végtelenített csiszolószalagok

1. Táblázat

Szemcseméret	Szemcsetípus
30	AA
40	AA, WA
60	AA, WA
80	AA, WA
100	AA, WA
120	AA, WA
150	AA, WA
180	AA, WA
240	AA, WA
320	AA
400	AA

ÖVINTÉZKEDÉSEK A SZALAGCSISZOLÓ HASZNÁLATÁVAL KAPCSOLATBAN

FIGYELEM

A csiszolási művelet előtt ellenőrizze a csiszolni kívánt
anyagot.

Ha a csiszolási művelet alatt káros / toxikus porok,
mint például ólomtartalmú festék, fa, fém keletkezése
várható, gondoskodjon arról, hogy a porzsák vagy
megfelelő porelszívó rendszer szorosan csatlakoztatva
legyen a porkivezetéshez.

Adott esetben kiegészítésként viselje a porálarcot.

Ne lélegezze be vagy ne érintse meg a csiszolási
művelet során keletkezett káros / toxikus porokat, a
por veszélyeztetheti saját és a körülötte állók
egészségét.

MEGJEGYZÉS:

A végtelenített csiszolószalagot 10 ugyanolyan típusú
szalagból álló csomagokban árusítják.
Rendeléskor adja meg a kívánt szemcsetípust és
szemcseméretet.

2. Helyhez kötött tartó

Kis cikkek csiszolásakor a kényelem céljából használjon
helyhez kötött tartót.

A tetszés szerint választható tartozékok előzetes bejelentés
nélkül bármikor változhatnak.

ALKALMAZÁSOK

- Faramunkálási termékek finomcsiszolása és befejező
padlózása.
- Fabevonatú felületek alappolírozása.
- Fémfelületek finomcsiszolása.
- Fémbevonatú felületek alappolírozása, rozsdá eltávolítása
vagy festék eltávolítása újramegmunkálás előtt.
- Pala, beton és hasonló anyagok felületkidolgozása.

AZ ÜZEMBEHELYEZÉS ELŐTTI TENNIVALÓK

1. Áramforrás

Ügyeljen rá, hogy a készülék adattábláján feltüntetett
feszültség értéke megegyezzen az alkalmazni
kívánt hálózati feszültséggel.

2. Hálózati kapcsoló

Ügyeljen rá, hogy a hálózati kapcsoló KI állásba legyen kapcsolva. Ha a csatlakozódugót úgy csatlakoztatja a dugaszolóaljzatba, hogy közben a hálózati kapcsoló BE állásban van, a kéziszerszám azonnal működésbe lép, ami súlyos balesetet idézhet elő.

3. Hosszabbító vezeték

Ha a munkaterület az áramforrástól távol található, akkor egy megfelelő keresztmetszetű és teljesítményű hosszabbító vezetékkel kell alkalmazni.

4. A csiszolószalag ráerősítése.

Részletekért olvassa el a "Csiszolószalag összeszerelése" szakaszt

HOGYAN KELL KEZELNI A CSISZOLÓSZALAGOT

FIGYELEM:

Győződjön meg arról, hogy az áram KI helyzetbe van kapcsolva és húzza ki a dugaszt a dugaszolóaljzattól a súlyos baj elkerüléséhez.

1. Hogyan kell ráerősíteni a csiszolószalagot

- (1) Húzza meg a kart az ujjával, ekkor a laza tárcsa hátrafelé mozdul el. (1. Ábra)
- (2) Helyezze a hajtótárcsára és a laza tárcsára, elvezetve azt a talplemez külső oldala fölé, és meggyőződve arról, hogy a szalag felsején levő nyíl megegyezik a hajtótárcsa forgásirányával. (2. Ábra)
- (3) Ujjal nyomja meg a kart, a laza tárcsa ekkor előre mozdul, és megfelelő feszítést ad a csiszolószalagnak. Ebben az esetben legyen óvatos, hogy ne üsse meg az ujját a karral.

Ezután állítsa be a csiszolószalag helyzetét.

FIGYELEM:

A rossz irányban felszerelt csiszolószalag alacsonyabb hatékonysággal dolgozik, és megrövidíti a csiszolószalag élettartamát.

2. Hogyan kell eltávolítani a csiszolószalagot

Húzza meg a kart az ujjával, ekkor a csiszolószalag megereszkedik és könnyen levehető a tárcsákról.

PORELTÁVOLÍTÁS

Amikor túl nagy mennyiségű por rakódott le a porzsákban, a porgyűjtés hatékonysága erősen leesik.

Távolítsa el a porzsákot, amikor az a zsák kapacitásának körülbelül 2/3-ig megtelt, miáltal a porgyűjtési hatékonyság (valamint a munkavégzési hatékonyság) biztosítva marad. A port a következőképpen távolítsa el a zsákból:

- (1) Lazítsa meg a tartókart és távolítsa el a porzsákot. (5. Ábra)
- (2) A zsák beömlőnyílása a csúszózár kicippázásával nyitható ki.

HOGYAN KELL HASZNÁLNI A SZALAGCSISZOLÓT

1. Hogyan kell beállítani a csiszolási helyzetet.

Nyomja meg a kapcsolót és forgassa a csiszolószalagot a helyzet ellenőrzéséhez. Úgy állítsa be a csiszolószalagot, hogy mindkét széle 1,6 mm - 3mm-rel nyúljon túl a tárcsák szélein.

Ha a csiszolószalagot túl bent üzemelteti, az kopást és a gép károsodását okozhatja.

A csiszolószalag helyzetét az állítócsavar forgatásával állítsa be (3. Ábra)

- A szalag befelé mozdításához fordítsa az állítócsavart az óra járásának irányába.
- A szalag kifelé mozdításához fordítsa az állítócsavart az óra járásával ellentétes irányba.

FIGYELEM:

Ha a csiszolószalag működés közben elmozdul, a beállítás működés közben is elvégezhető.

2. A kapcsoló bekapcsolása

Kapcsolja be a kapcsolót, miközben a gépet távol tartja a megmunkálandó felülettől. Ha a gép rá van helyezve egy felületre, amikor megnyomja a kapcsolót, a felület csúnyán összekarcolódhat. Ugyanez vonatkozik a gép leállítására.

3. Hogyan kell tartani a gépet

Fogja meg a fogantyút és a fogantyúgombot, és úgy tartsa a gépet a megmunkálandó felülettel szemben, hogy az kissé érintse a felületet.

Magának a gépnek a súlya elegendő a legnagyobb hatékonyságú csiszoláshoz és polírozáshoz.

Ne alkalmazzon semmilyen további nyomást, ez szükségtelenül terhelni a motort, megrövidítené a csiszolószalag élettartamát és csökkentené a munka hatékonyságát. (4. Ábra)

4. Hogyan kell mozgatni a gépet

Mozgassa a gépet először előre, majd vissza, ezt a mozgást ismételve. (4. Ábra)

5. Hogyan kell kiválasztani a megfelelő csiszolószalagot

Válassza a speciális célhoz megfelelő szemcseméretű és szemcsetípusú csiszolószalagot az alábbi 2. és 3. Táblázat elolvasásával.

2. Táblázat

Számzatott megmunkálás	Megfelelő szemcseméret
Durva megmunkálás	30 – 40
Közepes megmunkálás	40 – 100
Félfinom megmunkálás	80 – 240
Finom megmunkálás	180 – 400

3. Táblázat

Szemcsetípus	Megmunkálandó felület
AA	Acél, Fa
WA	Fa, Bambusz

FIGYELEM:

- Szemcseméretre olvassa el a 3. Táblázatot
- A csiszolószalag szemcséjének durvábbnak kell lennie, mint a kézi munkához használt csiszolópapír.
- Hogyanolyan szemcseméretű csiszolószalagot használjon, míg egységes felületet nem kap. A szemcseméretet változtatás gyenge kidolgozást eredményezhet.

6. Hogyan kell működtetni a kapcsolót

A tápkapcsoló BE helyzetbe kapcsol az indító meghúzásakor, és ha egyszer megnyomja a megállítót, a tápkapcsoló rögzítve marad, lehetővé téve a folyamatos működést.

A megállító az indító meghúzásával oldható ki. (5. Ábra)

7. A szalag sebességének beállítása

A szalagcsiszoló fel van szerelve egy elektronikus szabályozó áramkörrel, amely lehetővé teszi a fokozatmentes sebességszabályozást. A sebesség beállításához fordítsa el a **6. Ábrán** bemutatott tárcsát. Amikor a tárcsa "1" értékre van állítva, a szalagcsiszoló a minimális sebességgel működik. Amikor a tárcsa "5" értékre van állítva, a szalagcsiszoló a maximális sebességgel működik.

8. Hogyan kell dolgozni sarkon

A sarkok a gépnek **7. Ábrán** bemutatottak szerinti használatával csiszolhatók és polírozhatók.

ELLENŐRZÉS ÉS KARBANTARTÁS**1. A csiszolószalag ellenőrzése:**

Mivel az elkopott csiszolószalag folytatódó használata rontja a hatékonyságot, cserélje ki a csiszolószalagot, amint túlzott kopást észlel.

2. A rögzítő csavarok ellenőrzése

Rendszeresen ellenőrizzen minden rögzítő csavart, és ügyeljen rá, hogy azok megfelelően meg legyenek szorítva. Minden meglazult csavart azonnal szorítson meg. Ennek elhanyagolása súlyos veszélyeket hordoz magában.

3. A motor karbantartása

A motor tekerccselése az elektromos szerszám „szíve”. Gondosan ügyeljen rá, hogy a tekerccselés ne sérüljön, illetve ne kerüljön kapcsolatba olajjal vagy vízzel.

4. A szénkefék ellenőrzése

A tartós biztonság és a megfelelő érintésvédelem érdekében e szerszám gép szénkeféinek ellenőrzését és cseréjét **KIZÁRÓLAG** a Hitachi Szerződéses Szerviz Központ végezheti.

5. A hálózati kábel cseréje

Ha a szerszám gép hálózati kábele megrongálódik, akkor azt csere céljából vissza kell juttatni a Hitachi Szerződéses Szerviz Központba.

6. Szervizelési alkatrészlista**FIGYELEM**

Hitachi kéziszerszámok javítását, módosítását és ellenőrzését csak Hitachi Szakszerviz végezheti.

Javítás vagy egyéb karbantartás esetén hasznos ha ezt a szerviz-alkatrész listát a szerszámmal együtt átadjuk a Hitachi Szakszerviznek.

A kéziszerszámok üzemeltetése és karbantartása során be kell tartani az egyes országokban érvényben lévő biztonsági rendelkezéseket és szabványokat.

MÓDOSÍTÁSOK

A Hitachi kéziszerszámok állandó tökéletesítéseken mennek át, hogy alkalmazni tudják a legújabb műszaki fejlesztések eredményeit.

Éppen ezért egyes alkatrészek előzetes bejelentés nélkül megváltozhatnak.

MEGJEGYZÉS

A HITACHI folyamatos kutatási és fejlesztési programja következtében az itt szereplő műszaki adatok előzetes bejelentés nélkül változhatnak.

A környezeti zajra és vibrációra vonatkozó információk

A mért értékek az EN60745 szabványnak megfelelően kerültek meghatározásra és az ISO 4871 alapján kerülnek közzétételre.

Mért A-súlyozású hangteljesítményszint: 98 dB(A)

Mért A-súlyozású hangnyomásszint: 87 dB(A)

Bizonytalanság KpA: 3 dB(A)

Viseljen hallásvédelmi eszközt.

A gyorsulás tipikus súlyozott négyzetes középértéke nem haladja meg a 2,5m/s² értéket.

GARANCIA

A Hitachi Power Tools szerszámokra a törvényes/országos előírásoknak megfelelő garanciát vállalunk. A garancia nem vonatkozik a helytelen vagy nem rendeltetésszerű használatból, továbbá a normál mértékűnek számító elhasználódásból, kopásból származó meghibásodásokra, károokra. Reklamáció esetén kérjük, küldje el a - nem szétzerelt - szerszámot a kezelési útmutató végén található GARANCIA BIZONYLATTAL együtt a hivatalos Hitachi szervizközpontba.

VŠEOBECNÉ BEZPEČNOSTNÍ PŘEDPISY

UPOZORNĚNÍ!

Prostudujte si všechny pokyny

Neodržování všech níže uvedených pokynů může způsobit úraz elektrickým proudem, vznik požáru a/nebo vážné zranění. Pojem "elektrické nářadí" ve všech níže uvedených upozorněních se vztahuje na elektricky poháněné nářadí připojené (pomocí přívodní šňůry) k elektrické síti nebo na elektrické (bezšňůrové) nářadí poháněné akumulátorem.

DODRŽUJTE TYTO POKYNY

1) Pracovní prostor

- a) **Udržujte pracovní prostor v čistotě a zajistěte jeho dobré osvětlení.**
Neuspořádaný pracovní prostor a neosvětlené plochy mohou být příčinou nehod.
- b) **Neprovozujte elektrické nářadí ve výbušných prostředích, jako je například prostor s výskytem hořlavých kapalin, plynů nebo prachu.**
Při provozu elektrického nářadí vznikají jiskry, které mohou vznítit prach nebo výpar.
- c) **Zajistěte, aby se při provozu elektrického nářadí nezdržovaly v blízkosti dětí nebo okolostojící osoby.**
Odvedení pozornosti může způsobit ztrátu kontroly nad nářadím.

2) Elektrická bezpečnost

- a) **Zástrčky elektrického nářadí musí odpovídat používané zásuvce.**
Nikdy jakýmkoli způsobem neupravujte zástrčku. Nepoužívejte jakékoli rozvodné zástrčky s uzemněným (ukostřeným) elektrickým nářadím. Přívodní neupravené zástrčky a vhodné zásuvky snižují nebezpečí úrazu elektrickým proudem.
- b) **Vyvarujte se kontaktu s uzemněnými nebo ukostřenými plochami, jako jsou např. trubky, radiátory, sporáky a chladničky.**
Vzniká zvýšené nebezpečí úrazu elektrickým proudem, pokud je Vaše tělo uzemněné nebo ukostřené.
- c) **Nevstavujte elektrické nářadí dešti nebo mokřým podmínkám.**
Voda, která vnikne do elektrického nářadí, zvyšuje nebezpečí úrazu elektrickým proudem.
- d) **Nezacházejte s přívodní šňůrou nevhodným způsobem. Nikdy nepoužívejte přívodní šňůru pro nošení, tahání nebo vypořádání elektrického nářadí. Zajistěte, aby se přívodní šňůra nedostala do kontaktu se zdroji tepla, olejem, ostrými hranami nebo pohybujícími se částmi.**
Poškozené nebo zauzlené přívodní šňůry zvyšují nebezpečí úrazu elektrickým proudem.
- e) **Při práci s elektrickým nářadím ve vnějších prostorách používejte prodlužovací šňůru vhodnou pro venkovní použití.**
Použití přívodní šňůry vhodné pro venkovní prostředí snižuje nebezpečí úrazu elektrickým proudem.

3) Bezpečnost osob

- a) **Buďte při práci vždy pozorní, sledujte prováděnou práci a během práce s elektrickým nářadím postupujte rozumně.**
Nepoužívejte elektrické nářadí v případě únavy nebo pod vlivem drog, alkoholu nebo léků.

Pouhý okamžik nepozornosti při práci s elektrickým nářadím může způsobit vážné zranění.

- b) **Používejte ochranné pomůcky. Vždy používejte ochranu zraku.**
Ochranné pomůcky, jako jsou protiprachová maska, obuv s neklouzavou úpravou podrážky, ochranná přilba nebo chrániče sluchu použité pro vhodné podmínky sniží nebezpečí zranění.
 - c) **Zajistěte, aby nedošlo k náhodnému spuštění nářadí. Zabezpečte, aby vypínač byl před zapojením do sítě v poloze vypnuto.**
Nošení elektrického nářadí s prstem na vypínači a připojování elektrického nářadí s vypínačem v poloze zapnuto může způsobit nehody.
 - d) **Před zapnutím elektrického nářadí vymontujte všechny seřizovací klíče.**
Klíč upevněný na otáčející se části elektrického nářadí může způsobit zranění osob.
 - e) **Zajistěte náležitou stabilitu při práci. Během práce je třeba vždy zaujmout náležitý a stabilní postoj.**
Tím se dosáhne lepšího ovládní elektrického nářadí v neočekávaných situacích.
 - f) **Při práci používejte vhodný oděv. Nepoužívejte volný oděv nebo šperky. Zajistěte, aby se Vaše vlasy, oděv nebo rukavice nedostaly do kontaktu s pohybujícími se částmi nářadí.**
Volný oděv, šperky nebo dlouhé vlasy se mohou zachytit do pohybujících se částí.
 - g) **Pokud se používají zařízení pro připojení odsávání prachu a sběrných zařízení, zajistěte jejich správné zapojení a použití.**
Používejte tato zařízení pro snížení nebezpečí, která vznikají v prašném prostředí.
- 4) **Použití a ošetřování elektrického nářadí**
- a) **Netlačte na elektrické nářadí. Pro Váš způsob použití zvolte správné elektrické nářadí.**
Správné elektrické nářadí provede práci lépe a bezpečněji rychlostí, pro které bylo konstruováno.
 - b) **Nepoužívejte elektrické nářadí, pokud vypínač není funkční.**
Jakékoli elektrické nářadí, které nelze ovládat vypínačem, je nebezpečné a je třeba je opravit.
 - c) **Při provádění jakýchkoli nastavení, změně příslušenství nebo uskladňování elektrického nářadí odpojte vždy zástrčku ze zdroje energie.**
Tato preventivní bezpečnostní opatření snižují nebezpečí náhodného uvedení elektrického nářadí do chodu.
 - d) **Uložte nepoužívané elektrické nářadí mimo dosah dětí a nedovoďte, aby osoby, které nejsou seznámeny s provozem elektrického nářadí a s těmito pokyny, toto elektrické nářadí používaly.**
Elektrické nářadí je v rukou nevyškoleného uživatele nebezpečné.
 - e) **Provádějte údržbu elektrického nářadí. Zkontrolujte elektrické nářadí, zda je správně seřízené nebo nedochází k vážnutí chodu pohybujících se částí, zda nejsou nějaké části poškozené a zda nevznikly jakékoli jiné poruchy, které mohou negativně ovlivnit provoz elektrického nářadí.**
V případě poškození si nechejte elektrické nářadí před použitím opravit.

Velký počet nehod je způsobeno nedostatečnou údržbou elektrického nářadí.

- f) **Udržujte řezné nástroje ostré a čisté.**
Správným způsobem udržované řezné nástroje s ostrými břity mají menší sklon k uváznutí a snadněji se při práci ovládají.
- g) **Používejte elektrické nářadí, příslušenství, nástavce nástroje atd. ve shodě s těmito předpisy a způsobem stanoveným pro jednotlivý typ elektrického nářadí a přitom zohledněte pracovní podmínky a druh prováděné práce.**
Použití elektrického nářadí pro práce odlišné od stanoveného účelu použití může způsobit nebezpečné situace.

5) **Servis**

- a) **Nechejte si provádět servis Vašeho elektrického nářadí kvalifikovanými opraváři a přitom používejte jen originální náhradní díly.**

Tím se zajistí zachování bezpečnosti elektrického nářadí.

PARAMETRY

Napětí (podle oblasti)*	(110V, 120V, 230V, 240V) ~
Vstupní příkon*	1020 W
Rychlost pásu bez zatížení	250 – 450 m/min
Velikost pásu brusného papíru	76 × 533 mm
Hmotnost (bez přívodního kabelu)	4,3 kg

* Zkontrolujte, prosíme, štítek na výrobku. Štítek podléhá změnám v závislosti na oblastech použití.

STANDARDNÍ PŘÍSLUŠENSTVÍ

- (1) Nekonečný brusný pás (zrnitost: 80) 1
 (2) Sáček na prach 1
 Standardní příslušenství podléhá změnám bez upozornění.

**DOPLŇKOVÉ PŘÍSLUŠENSTVÍ
(Prodává se zvlášť)**

1. **Nekonečné brusné pásy**

Tabulka 1

Zrnitost	Druh zrna
30	AA
40	AA, WA
60	AA, WA
80	AA, WA
100	AA, WA
120	AA, WA
150	AA, WA
180	AA, WA
240	AA, WA
320	AA
400	AA

PREVENTIVNÍ OPATŘENÍ

Zajistěte, aby děti a nemocné osoby se nezdržovaly v blízkosti.

Pokud se nářadí nepoužívá, je třeba je uskladnit mimo dosah dětí a nemocných osob.

BEZPEČNOSTNÍ OPATŘENÍ PŘI POUŽITÍ PÁSOVÉ BRUSKY

UPOZORNĚNÍ

Před broušením zkontrolujte materiál, který chcete brousit.

Pokud lze očekávat, že při broušení bude vznikat škodlivý/toxický prach jako např. u olovnatých nátěrů, dřeva a kovů, ujistěte se, že je k vývodu prachu pevně připevněn sáček na prach nebo vhodný odprašovací systém.

Používejte také respirátor proti prachu, je-li k dispozici.

Nevdechujte ani se nedotýkejte škodlivého / toxického prachu vznikajícího při broušení, prach může ohrozit vaše zdraví a zdraví okolostojících osob.

POZNÁMKA:

Nekonečné brusné pásy se prodávají v baleních po 10 pásech stejného druhu.
 Při objednávání specifikujte požadovaný druh a zrnitost.

2. **Pevný stojan**

Při broušení malých předmětů použijte podle potřeby pevný stojan.

Doplňky podléhají změnám bez předchozího upozornění.

POUŽITÍ

- Konečné broušení a povrchová úprava podlah a výrobků ze dřeva.
- Základní leštění povrchů opatřených vrstvou dřeva.
- Konečné broušení kovových povrchů.
- Základní leštění povrchů opatřených vrstvou kovu, odstraňování rzi nebo starého nátěru před novým nátěrem.
- Konečná úprava břidlice, betonu a podobných materiálů.

PŘED POUŽITÍM

1. **Zdroj napětí**

Ujistěte se, že používaný zdroj napětí splňuje požadavky specifikované na štítku výrobku.

2. **Spínač**

Ujistěte se, že spínač je v poloze vypnuto. Pokud je zástrčka zasunuta v zásuvce elektrického proudu a spínač je v poloze „ON“, nástroj začne okamžitě pracovat, a to může způsobit vážný úraz.

3. Prodlužovací kabel

Pokud je pracoviště vzdáleno od zdroje, použijte prodlužovací kabel o správné tloušťce a kapacitě. Je třeba, aby prodlužovací kabel byl co nejkratší.

4. Připevněte brusný pás.

Pro podrobnější informace viz kapitola "Instalace brusného pásu".

MANIPULACE S BRUSNÝM PÁSEM

UPOZORNĚNÍ:

Ujistěte se, že jste přístroj vypnuli a odpojili ze zásuvky, abyste zabránili vážným potížím.

1. Připevnění brusného pásu

- (1) Vytáhněte páku prstem, vodící kladka se posune směrem dozadu. **(Obr. 1)**
- (2) Brusný papír umístěte na kladku náhonu a vodící kladku přes vnější stranu základové desky a ujistěte se, že šipka uvnitř pásu se shoduje se směrem rotace kladky náhonu. **(Obr. 2)**
- (3) Zatlačte páku prstem, vodící kladka se posune směrem dopředu a zajistí správné napnutí brusného pásu. Dejte přitom pozor, aby vás páka neuhodila do prstu. Poté nastavte polohu brusného pásu.

UPOZORNĚNÍ:

Brusný pás instalovaný ve špatném směru snižuje efektivitu práce a zkracuje životnost brusného pásu.

2. Odstranění brusného pásu

Vtáhněte páku prstem, brusný pás se prohne a lze jej snadno vyjmout z kladek.

ODSTRANĚNÍ PRACHU

Je-li v sáčku na prach uloženo příliš velké množství prachu, efektivita odprašování prudce klesne. Odstraňte prach ze sáčku, pokud je ze 2/3 plný, čímž zajistíte efektivitu odprašování (jakož i efektivitu práce). Postup odstranění prachu ze sáčku:

- (1) Uvolněte podpůrnou lištu a odstraňte sáček na prach. **(Obr. 5)**
- (2) Vstupní otvor sáčku lze otevřít rozepnutím zipu.

POUŽÍVÁNÍ PÁSOVÉ BRUSKY

1. Nastavení polohy broušení

Stlačte spínač a otočte brusný pás do kontrolní polohy. Nastavte brusný pás tak, aby oba okraje vyčnívaly přes okraje kladek o 1,6mm - 3mm.

Pokud je brusný pás provozován příliš daleko na vnitřní straně, může docházet k odírání a poškozování přístroje. Nastavte polohu brusného pásu otočením nastavovacího šroubu **(Obr. 3)**.

- Pro posunutí pásu dovnitř otočte nastavovacím šroubem ve směru hodinových ručiček.
- Pro posunutí pásu ven otočte nastavovacím šroubem proti směru hodinových ručiček.

UPOZORNĚNÍ:

Pokud se brusný pás během broušení hýbe, lze ho seřidit během provozu.

2. Zapnutí spínače

Zapněte spínač a přitom držte přístroj dále od povrchu, který budete opravovat. Pokud je přístroj položen na povrchu a stisknete tlačítko, může dojít ke značnému poškrábání povrchu. Totéž platí při zastavování přístroje.

3. Držení přístroje

Uchopte rukojeť a knoflík rukojeti a držte přístroj proti povrchu, který chcete opravovat, tak, aby se ho přístroj lehce dotýkal.

K maximálně efektivnímu vybroušení a vyleštění stačí samotná hmotnost přístroje.

Nevyvíjejte žádný přídavný tlak, neboť by došlo k nežádoucímu zatížení motoru, zkrácení životnosti brusného pásu a snížení efektivitu práce. **(Obr. 4)**

4. Pohybování přístrojem

Přístrojem pohybujte nejprve vpřed a pak vzad a tento pohyb opakujte. **(Obr. 4)**

5. Volba správného brusného pásu

Vyberte si brusný pás se správnou zrnitostí a druhem zrna a pro daný účel, viz **Tabulka 2 a 3** níže.

Tabulka 2

Původní povrchová úprava	Správná zrnitost
Hrubá povrchová úprava	30 – 40
Střední povrchová úprava	40 – 100
Středně jemná povrchová úprava	80 – 240
Jemná povrchová úprava	180 – 400

Tabulka 3

Druh zrna	Opracováváný povrch
AA	Ocel, Dřevo
WA	Dřevo, Bambus

UPOZORNĚNÍ:

- Pro zrnitost viz **Tabulka 3**
 - Zrno brusného pásu by mělo být hrubší, než brusný papír používaný pro manuální broušení.
 - Používejte brusný pás o stejné zrnitosti, dokud nedosáhnete rovnoměrného povrchu. Změny zrnitosti mohou způsobit nekvalitní povrchovou úpravu.
- ### 6. Používání spínače
- Spínač se zapne, když ho stlačíte, a stisknete-li zarážku, spínač se zamkne, čímž umožní plynulý chod. Zarážku lze uvolnit stlačením spínače. **(Obr. 5)**
- ### 7. Nastavení rychlosti pásu
- Pásová bruska je vybavena elektrickým regulačním obvodem, který umožňuje plynulou regulaci otáček. Pro nastavení rychlosti otočte číselníkem zřetelným na **Obr. 6**.
- Je-li číselník v poloze "1", pásová bruska pracuje na minimální otáčky. Je-li číselník v poloze "5", pásová bruska pracuje na maximální otáčky.
- ### 8. Opracování rohů
- Rohy lze pomocí tohoto přístroje brousit a leštit dle **Obr. 7**.

ÚDRŽBA A KONTROLA

1. Kontrola brusného pásu

Jelikož používání opotřebeného brusného pásu snižuje efektivitu, vyměňte brusný pás ihned, jakmile zjistíte nadměrné opotřebení.

2. Kontrola šroubů

Pravidelně zkontrolujte všechny šrouby a ujistěte se, že jsou správně utažené. Pokud najdete některé šrouby uvolněné, ihned je utáhněte. Neutažené šrouby mohou vést k vážnému riziku.

3. Údržba motoru

Vinutí motoru je srdce elektrického zařízení. Ujistěte se, že vinutí není poškozené nebo vlhké vodou nebo olejem.

4. Kontrola uhlíkových kartáčků

Za účelem Vaší trvalé bezpečnosti a ochrany proti úrazu elektrickým proudem by mělo kontrolu uhlíkových kartáčků a jejich výměnu na tomto nářadí provádět POUZE Autorizované Servisní Středisko firmy Hitachi.

5. Výměna přívodní kabelu

Pokud dojde k poškození přívodního kabelu nářadí, je třeba nářadí zaslat do Autorizovaného Servisního Střediska firmy Hitachi pro provedení výměny kabelu.

6. Seznam servisních položek**POZOR:**

Opravy, modifikace a kontroly zařízení Hitachi musí provádět Autorizované servisní středisko Hitachi.

Tento seznam servisních položek bude užitečný, předložíte-li jej s vaším zařízením Autorizovanému servisnímu středisku Hitachi společně s požadavkem na opravu nebo další servis.

Při obsluze a údržbě elektrických zařízení musí být dodržovány bezpečnostní předpisy a normy platné v každé zemi, kde je výrobek používán.

MODIFIKACE:

Výrobky firmy Hitachi jsou neustále zdokonalovány a modifikovány tak, aby se zavedly nejposlednější výsledky výzkumu a vývoje.

Následně, některé díly mohou být změněny bez předchozího oznámení.

ZÁRUKA

Ručíme za to, že elektrické nářadí Hitachi splňuje zákonné/ místně platné předpisy. Tato záruka nezahrnuje závady nebo poškození vzniklé v důsledku nesprávného použití, hrubého zacházení nebo normálního opotřebení. V případě reklamace zašlete prosím elektrické nářadí v nerozebraném stavu společně se ZÁRUČNÍM LISTEM připojeným na konci těchto pokynů pro obsluhu do autorizovaného servisního střediska firmy Hitachi.

POZNÁMKA

Vlivem stále pokračujícího výzkumného a vývojového programu HITACHI mohou zde uvedené parametry podléhat změnám bez předchozího upozornění.

Informace o hluku a vibracích

Měřené hodnoty byly určeny podle EN60745 a deklarovány ve shodě s ISO 4871.

Změřená vážená hladina akustického výkonu A: 98 dB(A)

Změřená vážená hladina akustického tlaku A: 87 dB(A)

Neurčitost KpA: 3 dB(A)

Použijte ochranu sluchu.

Typická vážená odmocnina znamená, že hodnota zrychlení nesmí přestoupit hodnotu 2,5 m/s².

GENEL GÜVENLİK KURALLARI

DİKKAT!

Bütün talimatları okuyun

Aşağıda belirtilen talimatların tümünün uygulamaması, elektrik çarpması, yangın ve/veya ciddi yaralanmalarla sonuçlanabilir.

Aşağıdaki uyarılarda belirtilen "Elektrikli alet" terimi, işletilen (kablolu) veya (kablesuz) ana elektrik aletlerini kapsar.

BU TALİMATLARI SAKLAYINIZ

1) Çalışma ortamı

a) Çalışma ortamı temiz ve iyi ışıklandırılmış olmalıdır.

Dağınık ve karanlık ortamlar kazanın davetçisidir.

b) Yanıcı sıvıların, gazların veya tozların bulunduğu patlayıcı ortamlarda elektrikli aletlerle çalışmayınız.

Elektrikli aletler kıvılcım sıçratabilir ve de gaz tozlarını ateşleyebilir.

c) Elektrikli alet kullanırken çocuklardan ve seyircilerden uzak tutun.

Dikkat dağıtıcı şeyler kontrolü kaybetmenize yol açabilir.

2) Elektrik güvenliği

a) Elektrikli aletin fişi prize uygun olmalıdır.

Fişi hiçbir şekilde değiştirmeye çalışmayın.

Elektrikli aletin topraklanmış fişinde herhangi bir adaptör kullanmayın.

Değiştirilmemiş fişler ve onlarla uygun prizler elektrik çarpmaya riskini azaltır.

b) Boru, radyatör, ocak/fırın ve buzdolabı gibi topraklanmış yüzeylerle vücut temasından sakının.

Vücüdünüzün toprakla temasa geçmesi elektrik çarpmaya riskini artırır.

c) Elektrikli aletleri yağmur ve ıslak ortamlara maruz bırakmayın.

Elektrikli aletin içersine su girmesi elektrik çarpmaya riskini artırır.

d) Güç kablosuna zarar vermeyin. Elektrikli aleti taşımak, çekmek veya prizden çıkarmak için kabloyu kullanmayın.

Kablolu kesici veya hareketli parçalardan, sıcak yüzeylerden ve yağıdan uzak tutun.

Hasar görmüş veya dolaşmış kablolar elektrik çarpmaya riskini artırır.

e) Elektrikli aleti açık alanlarda kullanırken, açık alana özel uzatma kablosu kullanın.

Açık alana özel kablolar elektrik çarpmaya riskini azaltır.

3) Kişisel güvenlik

a) Daima tetikte olun, elektrikli aleti kullanırken ne yaptığınızı farkında ve duyarlı olun.

Elektrikli aleti alkol, ilaç veya uyuşturucu etkisi altındayken veya yorgunken çalıştırmayın.

Elektrikli aleti kullanırken gösterilecek bir saniyelik dikkatsizlik, ciddi yaralanmalara yol açabilir.

b) Koruyucu ekipman kullanın. Daima koruyucu gözlük takın.

Toz maskesi, kaymayan emniyet ayakkabısı, sert başlık veya işitme koruyucusu gibi koşullara uygun olan ve yaralanma riskini azaltıcı koruyucu ekipmanlar kullanın.

c) Aletin istem dışı çalışmasına karşın önlem alın. Prize takmadan önce şalter düğmesinin kapalı konumunda olduğundan emin olun.

Elektrikli aleti parmağınız şalter üzerinde olduğu halde taşımak veya prize takmak kazanın davetçisidir.

d) Elektrikli aleti çalıştırmadan önce ayar anahtarlarını çıkartın.

Elektrikli aletin dönen kısmına takılı kalmış olan bir anahtar, yaralanmalara yol açabilir.

e) Fazla uzanmayın. Ayaklarınızın konumuna ve denize her zaman dikkat edin.

Böylece beklenmedik bir durumla karşılaştığınızda, elektrikli aleti daha iyi kontrol altında tutmanızı sağlar.

f) Uygun çalışma giysisi giyin. Bol giysiler ve takılardan kaçının. Saçınızı, giysilerinizi ve eldiveninizi hareketli parçalardan uzak tutun.

Bol giysiler, takılar veya uzun saç oynayan parçalara takılabilir.

g) Toz toplama bağlantısı için gerekli teçhizat ve bağlantı araçları sağlanmışsa, bunların bağlı olduğundan ve doğru şekilde kullanıldığından emin olun.

Bu teçhizatların kullanılması tozun yaratacağı tehlikeleri azaltacaktır.

4) Elektrikli aletin kullanımı ve bakımı

a) Elektrikli aleti zorlamayın. Yapacağınız işe uygun doğru aleti kullanın.

Doğru elektrikli aletin kullanılması işinizi hem kolaylaştıracağı gibi hem de tasarlanmış süratte daha güvenli bir şekilde yapmanızı sağlar.

b) Eğer elektrikli aletin şalter düğmesi açılıp kapanmıyorsa, aleti kullanmayın.

Şalter düğmesinden kumanda edilemeyen elektrikli aletler tehlike yaratır ve tamir edilmeleri gerekir.

c) Aksesuar değişimlerinde, ayarlamalar sırasında veya elektrikli aleti saklamadan önce elektrik bağlantısını kesin.

Bu gibi önleyici emniyet tedbirleri elektrikli aletin istem dışı çalışma riskini azaltır.

d) Kullanılmayan elektrikli aletleri çocukların ulaşamayacağı yerlerde tutun. Aleti kullanmasını bilmeyen ve bu talimatlara aşina olmayan kişilere kullandırmayın.

Elektrikli aletler deneyimsiz ve eğitilmemiş kişilerin eline tehlikeli olur.

e) Elektrikli aletin bakımını yapın. Hareketli parçaların yapışmamasını, kırık olmasını, düzenli hizalanmasını veya aletin işletimini etkileyecek herhangi bir durumun olmadığını kontrol edin.

Çoğu kazaya yetersiz bakımlı elektrikli aletleri neden olur.

f) Aletlerinizi keskin ve temiz tutun.

Düzenli bakımı yapılmış keskin uçlu takımların yapışma ihtimali azdır ve de kontrol edilmeleri daha kolaylaşır.

g) Elektrikli aleti, aksesuarları ve uçları vs. bu talimatlar doğrultusunda ve o elektrikli aletin amaçlanan kullanımı için, çalışma koşullarını ve de yapılacak işi göz önüne alarak kullanın.

Elektrikli aletin amaçlanan kullanımı dışında kullanılması tehlikeli bir durum yaratabilir.

5) Servis

- a) Elektrikli aleti vasıflı bir kişi tarafından sadece özdeş yedek parçalar kullanarak tamir edilmesini sağlayın. Böylece elektrikli aletin güvenli kullanımı sağlanacaktır.

ÖNLEM

Çocukları ve diğer yeterli güce sahip olmayan kişileri uzak tutun.

Kullanılmadığı zamanlarda aleti çocuk ve yeterli güce sahip olmayan kişilerin ulaşamayacağı bir yerde saklayın.

TEKNİK ÖZELLİKLER

Voltaj (bölgelere göre)*	(110V, 120V, 230V, 240V) ~
Güç girişi*	1020 W
Yüksüz bant hızı	250 – 450 m/min
Zımpara kağıdı bant ölçüleri	76 x 533 mm
Ağırlık (kablo hariç)	4,3 kg

* Bu değer bölgeden bölgeye değişiklik gösterdiği için ürünün üzerindeki plakayı kontrol etmeyi unutmayın.

STANDART AKSESUARLAR

- (1) Sonsuz Zımpara Bandı (Kum boyu: #80) 1
 (2) Toz torbası 1
 Standart aksesuarlarda önceden bildirimde bulunulmadan değişiklik yapılabilir.

İSTEĞE BAĞLI AKSESUARLAR – ayrıca satılır**1. Sonsuz Zımpara Bantları****Tablo 1**

Kum boyu	Kum tipi
30	AA
40	AA, WA
60	AA, WA
80	AA, WA
100	AA, WA
120	AA, WA
150	AA, WA
180	AA, WA
240	AA, WA
320	AA
400	AA

NOT:

Sonsuz zımpara bandı aynı tipte 10 bantlık paketler halinde satılmaktadır. Sipariş verirken istenen kum tipini ve kum boyunu belirtin.

BANTLI ZIMPARAYI KULLANIRKEN ALINACAK ÖNLEMLER**DİKKAT**

Zımpara işlemine başlamadan önce zımpara yapacağınız malzemeyi kontrol edin.

Zımpara işlemi sırasında kurşunlu boya, ahşap veya metal gibi zararlı / zehirli tozların oluşması beklenmekteyse, toz torbasının veya uygun toz çekme sisteminin toz çıkışına sıkıca bağlandığından emin olun.

Ayrıca eğer mevcutsa toz maskesi takın.

Zımpara işleminin yaratacağı zararlı / zehirli tozları teneffüs etmeyin veya dokunmayın, bu toz sizin veya etrafınızdakilerin sağlığını tehdit edebilir.

2. Sabit Baza

Küçük parçaları zımparalarken kolaylık sağlaması için sabit baza kullanın.

İsteğe bağlı aksesuarlarda önceden bildirimde bulunulmadan değişiklik yapılabilir.

UYGULAMALAR

- Ahşap ürünlerin son zımparası ve son kaplaması.
- Ahşap kaplama yüzeylerin temel parlatması.
- Metal yüzeylerin son zımparası.
- Metal kaplama yüzeylerin temel parlatması, pas giderme veya tesviye öncesi boya kaldırma.
- Karo, çimento ve benzeri malzemelerin yüzey perdahlaması.

ALETİ KULLANMADAN ÖNCE**1. Güç kaynağı**

Kullanılan güç kaynağının, ürünün üzerinde bulunan plakada belirtilen güç gerekliliklerine uygun olduğundan emin olun.

2. Açma/ Kapama anahtarı

Açma/ kapama anahtarının OFF konumunda olduğundan emin olun. Açma/ kapama anahtarı ON konumundayken aletin fişi prize takılırsa, alet derhal çalışmaya başlar ve ciddi kazalar meydana gelebilir.

3. Uzatma kablosu

Çalışma alanı güç kaynağından uzakta olduğunda, yeterli kalınlıkta ve belirtilen gücü kaldıracak bir uzatma kablosu kullanın. Uzatma kablosu olabildiğince kısa tutulmalıdır.

4. Zımpara bandını takın.

Ayrıntılar için "Zımpara Bandı Montajı" bölümüne bakınız.

ZIMPARA BANDININ KULLANIMI

DİKKAT:

Ciddi sorunları önlemek için gücü KAPATTIĞINIZDAN ve fişi prizden çektiğinizden emin olun.

1. Zımpara bandının takılması

- (1) Manivelayı parmağınızla itin, avara kasnağı arkaya hareket edecektir. (Şekil 1)
- (2) Tahrik kasnağı ve pabuç plakasının dışından geçirerek avara kasnağı üzerine yerleştirin ve bandın içindeki okun tahrik kasnağının dönüş yönüne denk geldiğinden emin olun. (Şekil 2)
- (3) Manivelayı parmağınızla itin, avara kasnağı ileriye hareket edecektir, zımpara bandına uygun gerginlik verin. Burada manivelanın parmağınıza çarpmasına dikkat edin. Sonra zımpara bandı pozisyonunu ayarlayın.

DİKKAT:

Yanlış yönde takılmış zımpara bandı iş verimini azaltır ve zımpara bandının ömrünü kısaltır.

2. Zımpara bandının çıkarılması

Manivelayı parmağınızla itin, zımpara bandı sarkar ve kasnaklardan kolayca çıkarılabilir.

TOZ GİDERME

Toz torbasında çok fazla toz biriktiğinde, toz toplama randımanı önemli ölçüde düşer.

Torba kapasitesinin yaklaşık 2/3'ü dolduğunda torbadaki tozu boşaltın, böylece toz toplama randımanı (ve ayrıca iş randımanı) sağlanacaktır.

Torbadaki tozu aşağıdaki şekilde boşaltın:

- (1) Destek çubuğunu gevşetin ve toz torbasını çıkarın. (Şekil 5)
- (2) Fermuar çekilerek torbanın ağzı açılabilir.

BANTLI ZIMPARANIN KULLANIMI

1. Zımpara pozisyonun ayarlanması.

Anahtarı itin ve zımpara bandını kontrol pozisyonuna getirin. Her iki kenar kasnakların kenarlarından 1,6 mm - 3 mm çıkacak şekilde zımpara bandını ayarlayın.

Zımpara bandı iç kısımda çok fazla çalıştırıldığı takdirde aşınmaya neden olabilir ve makineye zarar verebilir. Ayar vidasını çevirerek zımpara bandı pozisyonunu ayarlayın (Şekil 3)

- Bandı içeri doğru hareket ettirmek için ayar vidasını saat yönünde çevirin.
- Bandı dışarı doğru hareket ettirmek için ayar vidasını saat yönünün tersine çevirin.

DİKKAT:

Zımpara bandı çalıştırma sırasında yerinden oynarsa çalışmaya ara vermeden ayar yapılabilir.

2. Anahtarın açılması

Makineyi çalışılacak yüzeyden uzak tutarak anahtarı açın. Anahtara basıldığında makinenin yüzey üzerinde olması halinde, yüzey çok kötü şekilde çizilebilir. Aynı şey makine durdurulurken de geçerlidir.

3. Makinenin tutulması

Kolu ve kol tokmağını sıkıca tutun ve makineyi çalışılacak yüzeye hafifçe temas edecek şekilde tutun. Makinenin kendi ağırlığı en yüksek etkinlikte zımparalama ve parlatma yapmak için yeterlidir.

Ek basınç tatbik etmeyin, bu motora gereksiz yük binmesine, zımpara bandının ömrünün kısalmasına iş randımanının düşmesine neden olur. (Şekil 4)

4. Makinenin hareket ettirilmesi

Makineyi önce ileriye sonra geriye hareket ettirin ve bu hareketi tekrarlayın. (Şekil 4)

5. Uygun zımpara bandının seçilmesi

Amacınıza uygun kum boyutu ve kum tipindeki zımpara bandını aşağıda **Tablo 2** ve **3'e** göre seçin.

Tablo 2

Türeme rötuş	Uygun kum boyu
Kaba rötuş	30 – 40
Orta rötuş	40 – 100
Yarı hassas rötuş	80 – 240
Hassas rötuş	180 – 400

Tablo 3

Kum tipi	Üzerinde çalışılacak yüzey
AA	Çelik, Ahşap
WA	Ahşap, Bambu

DİKKAT:

- Kum boyu için **Tablo 3'e** bakın
- Zımpara bandı kumları, elle çalışmada kullanılan zımpara kağıdından daha iri taneli olmalıdır.
- Muntazam bir yüzey elde edilene kadar aynı kum boyuna sahip zımpara bandını kullanın. Kum boyunun değiştirilmesi kötü rötuşa neden olabilir.
- 6. Anahtarın çalıştırılması**
Açma/kapama anahtarı çekildiğinde güç anahtarı AÇILIR ve durdurucuya bir kere basıldığında güç anahtarı kilitlenir ve sürekli çalışmaya başlamasını sağlar. Açma/kapama anahtarı çekilerek durdurucu serbest bırakılabilir. (Şekil 5)
- 7. Bant hızının ayarlanması**
Bantlı Zımpara, kademesiz hız kontrolünü sağlayan bir elektrik kontrol devresi ile donatılmıştır. Hızı ayarlamak için, **Şekil 6'da** gösterilen kadranı çevirin. Kadran "1"e ayarlandığında bantlı zımpara en düşük hızda çalışır. Kadran "5"e ayarlandığında bantlı zımpara en yüksek hızda çalışır.
- 8. Köşelerde çalışma**
Köşeler, makine **Şekil 7'de** gösterildiği gibi kullanılarak zımparalanabilir ve parlatılabilir.

BAKIM VE İNCELEME

1. Zımpara Bandının Kontrolü:

Aşınmış bir zımpara bandının sürekli kullanımı etkinliği düşüreceği için, aşırı aşınma fark edildiğinde zımpara bandını değiştirin.

2. Montaj vidalarının incelenmesi:

Tüm montaj vidalarını düzenli olarak inceleyin ve sağlam şekilde sıkılı olduğundan emin olun. Gevşeyen vidaları derhal sıkın. Gevşemiş vidalar ciddi tehlikelere yol açabilir.

3. Motorun incelenmesi

Motor biriminin sargıları, bu ağır iş aletinin "kalbidir". Sargının hasar görmediğinden ve/veya yağ ya da su ile ıslanmadığından emin olun.

4. Kömürlerin incelenmesi

Güvenliğiniz ve elektrik çarpmasına karşı koruma için bu alette kömürlerin incelenmesi ve değiştirilmesi sadece Hitachi Yetkili Servis Merkezi tarafından yapılmalıdır.

5. Elektrik kablosunun değiştirilmesi

Aletin elektrik kablosu hasar görmüşse, kablonun değiştirilmesi için alet Hitachi Yetkili Servis Merkezine götürülmelidir.

6. Servis parçaları listesi

DİKKAT

Hitachi Güç Takımlarının onarımı, modifikasyonu ve gözden geçirilmesi Hitachi yetkili Servis Merkezi tarafından yapılmalıdır.

Hitachi yetkili Servis Merkezine tamir ya da bakım amacıyla başvurulduğunda Parça Listesinin takım ile birlikte verilmesi faydalı olacaktır.

Güç takımlarının çalıştırılması ve bakımlarının yapılması esnasında her ülke için belirtilen güvenlik düzenlemelerine ve standartlarına uyulması gerekmektedir.

DEĞİŞİKLİKLER

Hitachi Ağır İş Aletleri en son teknolojik ilerlemelere uygun olarak sürekli değiştirilmekte ve geliştirilmektedir. Dolayısıyla, bazı kısımlarda önceden bildirimde bulunulmadan değişiklik yapılabilir.

GARANTİ

Hitachi Elektrikli El Aletlerine ülkelere özgü hukuki düzenlemeler çerçevesinde garanti vermekteyiz. Bu garanti, yanlış veya kötü kullanım, normal aşınma ve yıpranmadan kaynaklanan arıza ve hasarları kapsamamaktadır. Şikayet durumunda, Elektrikli El Aleti, sökülmemiş bir şekilde, bu kullanım kılavuzunun sonunda bulunan GARANTİ BELGESİYLE birlikte bir Hitachi yetkili servis merkezine gönderilmelidir.

NOT

HITACHI'nin süregelen araştırma ve geliştirme programına bağlı olarak burada belirtilen teknik özelliklerde önceden bildirimde bulunulmadan değişiklik yapılabilir.

Havadan yayılan gürültü ve titreşimle ilgili bilgiler

Ölçülen değerlerin EN60745 ve ISO 4871'e uygun olduğu tespit edilmiştir.

Ölçülmüş A-ağırlıklı gürültü güç derecesi: 98 dB(A)

Ölçülmüş A-ağırlıklı gürültü güç derecesi: 87 dB(A)

Belirsiz KpA: 3 dB(A)

Kulak koruyucusu kullanın.

Tipik ağırlıklı etkin (RMS) ivme değeri 2,5 metre/saniye²'yi geçmez.

REGULI GENERALE DE SECURITATE

AVERTISMENT!

Citiți toate instrucțiunile

Nerespectarea instrucțiunilor de mai jos poate duce la electrocutare, incendiu și/sau la vătămări grave.

În toate avertismentele de mai jos, termenul "sculă electrică" se referă la sculele electrice alimentate de la rețeaua de energie electrică (prin cablu de alimentare) sau la sculele electrice alimentate de la baterii (fără cablu de alimentare).

PĂSTRAȚI PREZENȚELE INSTRUCȚIUNI

1) Zona de lucru

- a) **Mențineți zona de lucru curată și bine luminată.**
Zonele de lucru dezordonate și slab luminate predispun la accidente.
- b) **Nu utilizați sculele electrice în atmosferă explozivă, ca de exemplu în prezența lichidelor inflamabile, a gazelor inflamabile sau a pulberilor inflamabile.**
Sculele electrice produc scântei care pot aprinde pulberile și vaporii.
- c) **Îndepărtați copiii și persoanele din jur atunci când folosiți o sculă electrică.**
Distragerea atenției vă poate face să pierdeți controlul.

2) Securitate electrică

- a) **Sculele electrice trebuie să se potrivească în prizele existente.**
Nu modificați niciodată ștecherul în nici un fel. Nu folosiți niciodată adaptoare la sculele electrice cu împănântare.
Ștecherule nemodificate și prizele adecvate reduc riscul de electrocutare.
- b) **Evitați contactul corporal cu suprafețele puse la pământ cum ar fi conducte, radiatoare, cazane și frigider.**
În cazul în care corpul dumneavoastră este legat la pământ crește riscul de electrocutare.
- c) **Nu expuneți sculele electrice la ploaie și nu le țineți în condiții de umezeală.**
Dacă în scula electrică intră apă crește riscul de electrocutare.
- d) **Nu solicitați cablul de alimentare. Nu folosiți niciodată cablul de alimentare pentru transportul, deplasarea sau scoaterea din priză a sculei electrice.**
Țineți cablul de alimentare departe de sursele de căldură, de uleiuri, de muchii ascuțite și de piese în mișcare.
Cablurile de alimentare deteriorate sau îndoite cresc riscul de electrocutare.
- e) **Atunci când utilizați o sculă electrică în exterior, folosiți un prelungitor adecvat folosirii în exterior.**
Folosirea unui prelungitor adecvat folosirii în exterior reduce riscul de electrocutare.

3) Siguranța personală

- a) **Atunci când folosiți o sculă electrică fiți vigilenți, fiți atenți la ceea ce faceți și acționați cu bun simț.**
Nu folosiți scule electrice atunci când sunteți obosit sau dacă vă aflați sub influența drogurilor, a alcoolului sau a medicamentelor.
Un moment de neatenție în timpul utilizării sculei electrice poate duce la vătămări personale grave.
- b) **Folosiți echipament de protecție. Purtați întotdeauna ochelari de protecție.**

Echipamentul de protecție cum ar fi masca pentru praf, încălțămîntea de protecție anti-alunecare, casca sau protecția auditivă, folosite atunci când este cazul, reduc riscul de vătămări personale.

- c) **Evitați pornirea accidentală. Asigurați-vă că, înainte de a introduce scula electrică în priză, comutatorul este pe poziția oprit.**

Transportarea sculelor electrice cu degetul pe comutator sau introducerea în priză a sculelor electrice care au comutatorul pe poziția pornit predispun la accidente.

- d) **Înainte de a pune în funcțiune scula electrică, îndepărtați toate cheile sau instrumentele de reglare.**

Un instrument sau o cheie atașate de o piesă rotativă a sculei electrice poate provoca vătămări personale.

- e) **Nu încercați să ajungeți prea departe. Mențineți un contact corespunzător al piciorului și păstrați-vă în permanență echilibrul.**

Astfel veți avea un mai bun control al sculei electrice în situații neprevăzute.

- f) **Îmbrăcați-vă corespunzător. Nu purtați haine largi și nici bijuterii. Țineți părul, hainele și mănușile departe de piesele în mișcare.**

Hainele largi, bijuteriile sau părul lung pot fi prinse în piesele în mișcare.

- g) **Dacă sunt prevăzute dispozitive pentru conectarea sistemelor de extragere și colectare a prafului, asigurați-vă că acestea sunt conectate și utilizate corect.**

Folosirea acestor dispozitive poate reduce riscurile legate de praf și pulberi.

4) Folosirea și întreținerea sculelor electrice

- a) **Nu forțați scula electrică. Folosiți sculele electrice adecvate pentru aplicația dumneavoastră.**

Scula electrică adecvată va efectua operațiunea mai bine și mai sigur în cadrul parametrilor la care a fost proiectată.

- b) **Nu folosiți scula electrică în cazul în care comutatorul nu o pornește și nu o oprește.**

O sculă electrică ce nu poate fi comandată prin intermediul comutatorului este periculoasă și trebuie reparată.

- c) **Înainte de a efectua orice fel de reglaje asupra sculelor electrice, de a le schimba accesoriile sau de a le depozita, scoateți-o din priză.**

Aceste măsuri de securitate preventive reduc riscul de pornire accidentală a sculei electrice.

- d) **Nu depozitați sculele electrice nefolosite la îndemâna copiilor și nu permiteți persoanelor care nu sunt familiarizate cu sculele electrice sau cu prezentele instrucțiuni să utilizeze sculele electrice.**

Sculele electrice sunt periculoase în mâna utilizatorilor neinstruiți.

- e) **Întrețineți sculele electrice. Verificați alinierea și prinderea pieselor în mișcare, ruperea pieselor precum și orice alte condiții care ar putea afecta funcționarea sculelor electrice.**

Dacă o sculă electrică este deteriorată, aceasta trebuie reparată înainte de a fi utilizată.

Multe accidente sunt produse de sculele electrice întreținute necorespunzător.

f) **Mențineți sculele tăietoare ascuțite și curate.**
Sculele tăietoare corect întreținute, cu muchiile ascuțite, au o probabilitate mai mică de a se bloca și sunt mai ușor de controlat.

g) **Folosiiți scula electrică, accesoriile și sculele de debitare etc. în conformitate cu prezentele instrucțiuni și în scopul pentru care au fost create pentru respectiva sculă electrică, luând în considerare condițiile de lucru și operațiunile care trebuie efectuate.**

Folosirea sculei electrice pentru alte operațiuni decât cele pentru care a fost proiectată poate provoca situații periculoase.

5) Reparații

a) **Repararea sculei electrice se va face de către personal calificat, cu folosirea unor piese de schimb identice.**

Astfel se asigură menținerea siguranței în exploatare a sculei electrice.

PRECAUȚII

Țineți la distanță copiii și persoanele cu dizabilități. Atunci când nu sunt folosite, sculele trebuie păstrate astfel încât copiii și persoanele cu dizabilități să nu poată ajunge la ele.

SPECIFICAȚII

Tensiune de alimentare (pe zone)*	(110V, 120V, 230V, 240V) ~
Putere instalată*	1020 W
Viteza benzii fără sarcină	250 – 450 m / min
Dimensiunea benzii abrazive	76 × 533 mm
Greutate (fără curea)	4,3 kg

* Verificați plăcuța cu specificații a produsului, deoarece acesta poate diferi de la o zonă la alta.

ACCESORII STANDARD

- (1) Bandă abrazivă fără sfârșit
 (Dimensiunea granulației #80) 1
 (2) Sac pentru praf 1
 Accesoriile standard pot fi schimbate fără notificare prealabilă.

ACCESORII OPȚIONALE (SE VÂND SEPARAT)

1. Benzi abrazive fără sfârșit

Tabelul 1

Dimensiunea granulației	Tipul granulației
30	AA
40	AA, WA
60	AA, WA
80	AA, WA
100	AA, WA
120	AA, WA
150	AA, WA
180	AA, WA
240	AA, WA
320	AA
400	AA

PRECAUȚII LA UTILIZAREA SLEFUITOR CU BANDĂ

PRECAUȚIE

Înainte de a începe operațiunea de polizare, fiți atenți la materialul pe care urmează să îl prelucrați.

Dacă în urma operațiunii de polizare este de așteptat să apară pulberi dăunătoare / toxice cum ar fi pulberi de vopsea cu plumb, lemn sau metal, asigurați-vă că sacul pentru praf sau sistemul de extragere a prafului este conectat și are ieșirea pentru praf etanșată.

Suplimentar, purtați mască împotriva prafului, dacă aceasta există.

Nu inhalați și nu atingeți pulberile dăunătoare / toxice generate în timpul operațiunii de polizare, pulberile pot pune în pericol sănătatea dumneavoastră și a persoanelor din apropiere.

NOTĂ:

Benziile abrazive fără sfârșit se vând în pachete de 10 benzi de același tip.

La plasarea comenzii specificați tipul granulației și dimensiunea granulației.

2. Suport fix

La polizarea obiectelor mici folosiți un suport fix adecvat. Accesoriile standard pot fi schimbate fără notificare prealabilă.

UTILIZARE

- Polizarea de finisare și finisarea produselor din lemn.
- Lustruirea de bază a suprafețelor acoperite cu lemn.
- Polizarea de finisare a suprafețelor metalice.
- Lustruirea de bază a suprafețelor cu acoperire metalică sau îndepărtarea vopselei înainte de refinisare.
- Finisarea suprafețelor din gresie, beton și a altor materiale similare.

ÎNAINTE DE UTILIZARE

1. Sursa de alimentare cu energie electrică

Asigurați-vă de faptul că sursa de alimentare cu energie electrică ce urmează a fi folosită este conformă cu cerințele indicate pe plăcuța indicatoare a produsului.

2. Comutatorul pentru punere în funcțiune

Asigurați-vă că ați poziționat comutatorul în poziția OFF (OPRIT). Dacă ștecherul este conectat la priză iar comutatorul este în poziția ON (PORNIT), mașina va începe să funcționeze imediat, putându-se produce vătămări grave.

3. Cablul prelungitor

Atunci când zona de lucru este departe de sursa de alimentare, folosiți un cablu prelungitor de o grosime suficientă și cu parametri corespunzători. Cablul prelungitor trebuie să fie cât mai scurt posibil.

4. Montarea benzii abrazive.

Pentru detalii, consultați secțiunea referitoare la "Ansamblul benzii abrazive".

CUM SE MANEVREAZĂ BANDA ABRAZIVĂ

PRECAUȚIE:

Asigurați-vă că ați OPRIT aparatul și că ați scos ștecherul din priză, pentru a evita situațiile grave.

1. Modul de atașare a benzii abrazive

- Trageți pârghia cu degetul, astfel că folia condusă se va mișca spre înapoi. (Fig. 1)
- Plasați-o pe folia motoare și pe folia condusă trecând-o peste partea exterioară a plăcii suport și asigurându-vă că săgeata de pe interiorul benzii abrazive coincide cu direcția de rotație a fuliei motoare. (Fig. 2)
- Împingeți pârghia cu degetul, folia condusă se va deplasa spre înainte și astfel se va realiza tensionarea corespunzătoare a benzii abrazive. În acest caz, aveți grijă ca degetul să nu fie lovit de pârghie. Apoi, reglați poziția benzii abrazive.

PRECAUȚIE:

Instalarea benzii abrazive într-o direcție necorespunzătoare va duce la scăderea eficienței muncii și la scurtarea duratei de viață a benzii abrazive.

2. Modul de scoatere a benzii abrazive

Trageți pârghia cu degetul, banda abrazivă se va detensiona și va putea fi scoasă cu ușurință de pe fulli.

ÎNDEPĂRTAREA PRAFULUI

Atunci când în sacul pentru praf s-a strâns o cantitate excesivă de praf, eficiența colectării prafului va scădea rapid.

Scoateți sacul pentru praf atunci când acesta s-a umplut cam la 2/3 din capacitate, pentru a menține eficiența colectării prafului (cât și eficiența operațiunii). Îndepărtarea sacului pentru praf se face astfel:

- Slăbiți bara de susținere și scoateți sacul pentru praf. (Fig. 5)
- Sacul se poate deschide prin desfacerea dispozitivului glisant de închidere.

MODUL DE UTILIZARE A SLEFUITOR CU BANDĂ

1. Modul de reglare a poziției de polizare.

Apăsați comutatorul și rotiți banda abrazivă pentru a verifica poziționarea acesteia. Reglați banda abrazivă astfel încât ambele margini să iasă 1,6mm - 3mm în afara marginilor fullilor.

Dacă banda abrazivă este folosită prea în interior, poate apărea abraziune și mașina se poate defecta. Reglați poziția benzii abrazive prin rotirea șurubului de reglare. (Fig. 3)

- Rotiți șurubul de reglare în sensul acelor de ceasornic pentru a deplasa banda spre interior.
- Rotiți șurubul de reglare în sens invers acelor de ceasornic pentru a deplasa banda spre exterior.

PRECAUȚIE:

Dacă banda abrazivă se mișcă în timpul utilizării, reglajul se va face în timpul utilizării.

2. Acționarea comutatorului de pornire

Acționați comutatorul de pornire ținând mașina departe de suprafața ce urmează a fi prelucrată. Dacă atunci când o porniți mașina este pusă pe suprafață, suprafața se poate zgăria foarte tare.

Acest lucru este valabil și la oprirea mașinii.

3. Cum se ține mașina

Prindeți mânerul și butonul mânerului și țineți mașina pe suprafața de prelucrat, astfel încât mașina să vină ușor în contact cu suprafața.

Greutatea mașinii este suficientă pentru polizare și finisare foarte eficiente.

Nu aplicați presiune suplimentară, deoarece aceasta ar adăuga o sarcină inutilă motorului, va scurta durata de viață a benzii abrazive și va scădea eficiența operațiunii. (Fig. 4)

4. Cum se deplasează mașina

Deplasați mașina mai întâi spre înainte și după aceea spre înapoi, repetând această mișcare. (Fig. 4)

5. Cum se alege banda abrazivă corespunzătoare

Alegeți banda abrazivă care are dimensiunea granulației și tipul de granulație adecvate scopului dumneavoastră specific, consultând **Tabelele 2 și 3** de mai jos.

Tabelul 2

Finisare preliminară	Dimensiunea adecvată a granulației
Finisare grosieră	30 – 40
Finisare medie	40 – 100
Finisare semi-fină	80 – 240
Finisare fină	180 – 400

Tabelul 3

Tip de granulație	Suprafață de prelucrat
AA	Oțel, Lemn
WA	Lemn, Bambus

PRECAUȚIE:

- Pentru dimensiunea granulației, consultați **Tabelul 3**
- Granulația benzii abrazive trebuie să fie mai grosieră decât cea pentru șmirghel.
- Folosiți benzi abrazive de aceeași granulație până la obținerea unei suprafețe uniforme. Schimbarea dimensiunii granulației poate duce la o finisare de slabă calitate.

6. Cum se acționează comutatorul

Comutatorul este pus pe poziția ON (pornit) atunci când butonul este tras și, dacă opritorul este apăsat o dată, comutatorul se blochează, permițând astfel o utilizare continuă.

Opritorul se deblochează prin tragerea comutatorului. (Fig. 5)

7. Reglarea vitezei benzii

Polizorul cu bandă abrazivă este dotat cu un circuit electric de comandă, care permite controlul continuu al vitezei. Pentru reglarea vitezei, rotiți butonul de reglare prezentat în **Fig. 6**.

Atunci când butonul de reglare este în poziția "1", polizorul funcționează la viteză minimă. Atunci când butonul de reglare este în poziția "5", polizorul funcționează la viteză maximă.

8. Cum se lucrează la colțuri

Colțurile pot fi polizate și finisate folosind mașina așa cum este prezentat în figura **Fig. 7**.

ÎNȚREȚINERE ȘI VERIFICARE**1. Verificarea polizorului cu bandă abrazivă:**

Deoarece folosirea unei benzi abrazive uzate duce la scăderea eficienței, înlocuiți banda abrazivă imediat ce observați o uzură excesivă a acesteia.

2. Verificarea șuruburilor de montare

Verificați regulat toate șuruburile de montare și asigurați-vă că acestea sunt strânse corespunzător. Dacă vreunul din șuruburi este slăbit, strângeți-l imediat. Nerespectarea acestei indicații poate duce la pericole grave.

3. Întreținerea motorului

Bobinajul motorului este inima motorului. Fiți foarte atenți să nu deteriorați bobinajul și să nu îl expuneți la ulei sau la apă.

4. Verificarea periiilor de cărbune

Pentru siguranța dumneavoastră și pentru protejarea împotriva electrocutării, verificarea și înlocuirea periiilor de cărbune trebuie efectuată NUMAI de către o UNITATE SERVICE AUTORIZATĂ DE HITACHI.

5. Înlocuirea cablului de alimentare

În cazul în care cablul de alimentare al sculei este deteriorat, scula trebuie dusă la o unitate service autorizată de Hitachi pentru înlocuirea cablului.

6. Lista pieselor de schimb pentru reparații**PRECAUȚIE**

Reparațiile, modificările și verificarea sculelor electrice Hitachi se vor efectua numai la o unitate service autorizată de Hitachi.

În mod particular, întreținerea dispozitivului laser va fi efectuată de un agent autorizat de către producătorul dispozitivului laser.

Repararea dispozitivului laser va fi efectuată întotdeauna de către o unitate service autorizată de Hitachi.

Această listă de piese va fi de ajutor dacă va fi prezentată împreună cu mașina la unitatea service autorizată de Hitachi atunci când solicitați efectuarea de reparații sau de operațiuni de întreținere.

Pe durata folosirii și a operațiunilor de întreținere a mașinii trebuie respectate reglementările și standardele naționale privind securitatea.

MODIFICĂRI

Sculele electrice Hitachi sunt în mod constant îmbunătățite și modificate, pentru a îngloba cele mai noi cuceriri tehnologice.

De aceea, anumite piese pot fi modificate fără notificare prealabilă.

GARANȚIE

Garantăm sculele electrice Hitachi în conformitate cu reglementările statutare/specifice țării. Această garanție nu acoperă defectele sau daunele provocate de utilizarea necorespunzătoare, abuz sau de uzura și deteriorarea normale. În cazul în care aveți reclamații, vă rugăm să trimiteți scula electrică nedemontată, împreună cu CERTIFICATUL DE GARANȚIE care se găsește la finalul prezentelor Instrucțiuni de utilizare, la o unitate service autorizată de Hitachi.

NOTĂ

Ca urmare a programului continuu de cercetare și dezvoltare derulat de Hitachi, prezentele specificații pot fi modificate fără notificare prealabilă.

Informații privind nivelul de zgomot transmis prin aer și nivelul de vibrații

Valorile măsurate au fost determinate în conformitate cu EN 60745 și este declarată conformă cu ISO 4871.

Nivelul tipic al puterii sonore ponderate A: 98 dB (A)

Nivelul tipic al presiunii sonore ponderate A: 87 dB (A)

Nivel sonor, KpA: 3 dB (A)

Purtați echipament de protecție auditivă.

Valoarea tipică a rădăcinii medii pătratic ponderate a accelerației nu depășește 2,5 m/s².

SPLOŠNA VARNOSTNA PRAVILA

OPOZORILO!

Preberite vsa navodila

Nesledenje vsem spodaj navedenim navodilom lahko povzroči električni udar, požar in/ali resne poškodbe. Izraz "električno orodje" se v vseh spodnjih opozorilih nanaša na vaše električno orodje pod napetostjo (s kablom) ali električno orodje na baterije (brezžično).

SHRANITE TA NAVODILA

1) Delovno območje

- a) **Delovno območje naj bo čisto in dobro osvetljeno.**
Razmetana in temna področja privabijo nesreče.
- b) **Električnih orodij ne uporabljajte v eksplozivnih atmosferah, kot pri prisotnosti vnetljivih tekočin, plinov ali prahu.**
Električna orodja ustvarjajo iskre, ki lahko zanetijo prah hlapov.
- c) **Otroci in ostale gledalce držite vstran medtem, ko uporabljate električno orodje.**
Motnje lahko povzročijo, da izgubite nadzor.

2) Električna varnost

- a) **Vtikači električnega orodja se moraj ujemati z vtičnico.**
Nikoli ne spreminjajte vtičaka na kakršenkoli način.
Ne uporabljajte adapterskih vtičakov z ozemljenimi (na tleh) električnimi orodji.
Nespremenjeni vtičaki in prilegajoče se vtičnice zmanjšajo nevarnost električnega udara.
- b) **Izogibajte se telesnega stika z zemeljskimi ali ozemljenimi površinami (npr. cevi, radiatorji, peči, hladilniki).**
Obstaja povečana nevarnost električnega udara, če je vaše telo ozemljeno ali na zemlji.
- c) **Električnega orodja ne izpostavljajte na dež ali mokre pogoje.**
Voda, ki pride v električno orodje lahko poveča nevarnost električnega udara.
- d) **S kablo ravnajte previdno. Kabla ne uporabljajte za nošenje, vlečenje ali izklapljanje električnega orodja.**
Kabel držite vstran od toplote, olja, ostrih robov in premikajočih se delov.
Poškodovani in zapleteni kabli povečajo nevarnost električnega udara.
- e) **Pri zunaji uporabi električnega orodja uporabite podaljševalni kabel, ki je primeren za zunanjo uporabo.**
Uporaba kabla, primernega za delo odzunaj, zmanjša nevarnost električnega udara.

3) Osebna varnost

- a) **Bodite pripravljeni in pazite kaj delate ter uporabite zdrav razum, ko uporabljate električno orodje.**
Električnega orodja ne uporabljajte, če ste utrujeni ali pod vplivom drog, alkohola ali zdravil.
Trenutek nepazljivosti pri uporabi električnega orodja lahko povzroči resne telesne poškodbe.
- b) **Uporabljajte zaščitno opremo. Zmeraj uporabljajte zaščito za oči.**
Zaščitna oprema kot je maska za prah, ndrseči zaščitni čevlji, trda čelada ali zaščita za sluh, ki jo uporabljate pri primernih pogojih, bo zmanjšala osebne poškodbe.

- c) **Izogibajte se nenamernemu zagonu. Prepričajte se, da je pred vklopom stikalo v položaju OFF (izklop).**

Nošenje električnih orodjev s prstom na stikalu ali priključevanje orodja, ki ima vključeno stikalo, privablja nesreče.

- d) **Pred vklopom orodja odstranite vsa orodja za prilagajanje ali ključje.**
Ključ ali orodje za prilagajanje, ki ostane na rotacijskem delu električnega orodja, lahko povzroči osebne poškodbe.
- e) **Ne nagibajte se. Zmeraj uporabljajte primerno obutev in držite ravnotežje.**
To omogoča boljši nadzor nad električnim orodjem v nepričakovanih situacijah.
- f) **Primerno se oblecite. Ne nosite ohlapnih oblačil ali nakita. Lase, oblačila in rokavice držite vstran od premikajočih se delov.**
Ohlapna oblačila, nakit ali dolgi lasje se lahko ujamejo v premikajoče se dele.
- g) **Če imate naprave za priključitev odstranjevanja in zbiranja prahu, se prepričajte, da so priključene in primerno uporabljene.**
Uporaba teh naprav lahko zmanjša nevarnosti, povezane s prahom.

4) Uporaba in nega električnega orodja

- a) **Orodja ne uporabljajte s silo. Uporabite primerno električno orodje za vaše zahteve.**
Pravilno električno orodje bo delo naredilo bolje in varneje na stopnji za katero je bilo izdelano.
- b) **Orodja ne uporabljajte, če ga s stikalom ne morete vključiti in izključiti.**
Vsako električno orodje, ki ga ne morete nadzorovati s stikalom je nevarno in ga je treba popraviti.
- c) **Pred prilagajanjem, zamenjavo dodatkov ali shranjevanju električnega orodja, izvezite vtičak iz vira napetosti.**
Takši preventivni varnosti ukrepi zmanjšajo nevarnost, da se električno orodje po nesreči vključi.
- d) **Mirujoča električna orodja shranjujte izven dosega otrok in ne dovolite uporabo orodja osebam, ki niso seznanjena z električnim orodjem ali temi navodili.**
Električna orodja so nevarna v rokah neusposobljenih uporabnikov.
- e) **Električna orodja vzdržujte. Preverite ali so premikajoči se deli neporavnani ali razrahljani, zlomljeni in vsa ostala stanja, ki lahko vplivajo na delovanje električnega orodja.**
Če je električno orodje poškodovano ga pred uporabo dajte popraviti.
Številne nesreče se zgodijo zaradi slabo vzdrževanih električnih orodij.
- f) **Rezalnimi pripomočki naj bodo ostri in čisti.**
Primerno vzdrževana orodja za rezanje z ostrimi robovi je lažje uporabljati in je manjša verjetnost, da se ustavi.
- g) **Električno orodje, pripomočke in dela orodja itd. uporabljajte v skladu s temi navodili in na način za katero je določen tip električnega orodja namenjen, ter v skladu z delovnimi pogoji in delom, ki ga boste opravljali.**
Uporaba električnega orodja za delo, ki je drugačno od tistega za katero je bilo orodje namenjeno lahko povzroči nevarne situacije.

5) Servis

- a) Električno orodje naj popravlja usposobljena servisna oseba le z identičnimi rezervnimi deli.

S tem bo zagotovljeno vzdrževanje varnosti električnega orodja.

VARNOSTNI UKREP

Otroci in slabotne osebe naj se ne približujejo.

Ko orodja ne uporabljate ga shranjujte izven dosega otrok in slabotnih oseb.

VARNOSTNI UKREPI ZA UPORABO BRUSILNEGA TRAKU**POZOR**

Pred brušenjem se prepričajte o materialu, ki ga boste brusili.

Če med brušenjem nastajajo škodljivi/strupeni prahi kot so svinčeva barva, les in kovine, se prepričajte, da je vreča za prah ali sistem za odvajanje prahu tesno priključen na izpuh za prah.

Dodatno uporabite tudi masko za prah, če je na voljo.

Ne vdihavajte in se ne dotikajte škodljivih/strupenih prahov, ki nastajajo pri brušenju, saj prah lahko škoduje vašemu zdravju in zdravju ljudi poleg vas.

SPECIFIKACIJE

Napetost (po območjih)*	(110V, 120V, 230V, 240V) \cup
Vhodna moč*	1020 W
Hitrost brez obremenitve	250 – 450 m / min
Velikost traku smirkovega papirja	76 × 533 mm
Teža (brez kabla)	4,3 kg

* Preverite imensko ploščo na izdelku, saj je vrednost odvisna od področja.

STANDARDNI DODATKI

- (1) Neskončen trak za brušenje
(velikost delca: #80) 1
(2) Vreča za prah 1
Standardni pripomočki se lahko spremenijo brez vnaprejšnjega obvestila.

**OPCIJSKI DODATKI
(PRODAJANI LOČENO)****1. Neskončni trakovi za brušenje****Skica 1**

Velikost delcev	Tip delcev
30	AA
40	AA, WA
60	AA, WA
80	AA, WA
100	AA, WA
120	AA, WA
150	AA, WA
180	AA, WA
240	AA, WA
320	AA
400	AA

OPOMBA:

Neskončen trak za brušenje se prodaja v paketu po 10 trakov istega tipa.

Pri naročanju povejte želen tip in velikost delca.

2. Mirujoče stojalo

Pri brušenju majhnih predmetov uporabite pripravno mirujoče stojalo.

Opcijski dodatki se lahko spremenijo brez vnaprejšnjega obvestila.

UPORABA

- Zaključno brušenje in zaključna dela lesenih izdelkov.
- Osnovno poliranje lesenih površin.
- Zaključno brušenje kovinskih površin.
- Osnovno poliranje kovinskih površin, odstranjevanje rje ali barve pred zaključevanjem.
- Zaključevanje površin iz skрила, betona in podobnih materialov.

PRED UPORABO**1. Vir napetosti**

Zagotovite, da je vir napetosti, ki ga boste uporabili enak zahtevam vira napetosti, ki je določen na imenski plošči izdelka.

2. Stikalo za napetost

Prepričajte se, da je stikalo za napetost v položaju OFF (izključeno). Če je vtičak priključen na vtičnico, ko je stikalo v položaju ON (vklopljeno), bo električno orodje takoj začelo delovati ter lahko povzroči resno nesrečo.

3. Podaljševalni kabel

Če je delovno območje oddaljeno od vira napetosti, uporabite podaljševalni kabel primerne debeline in kapacitivnosti. Podaljševalni kabel naj bo čim krajši.

4. Pritrjevanje brusilnega traku.

Za podrobnosti, glej razdelek "Sestav brusilnega traku".

KAKO ROKOVATI Z BRUSILNIM TRAKOM

POZOR:

Prepričajte se, da izključite napetost (OFF/IZKLOP) in izvlecete vtikač iz vtičnice, da se izognete resnim težavam.

1. Kako pritrditi brusilni trak

- (1) S prstom povlecite ročico in škripec prostega teka se bo pomaknil proti nazaj. (**Skica 1**)
- (2) Trak postavite na pogonski in škripec prostega teka ter ga napeljite preko zunanje okovne plošče in se prepričajte, da puščica znotraj traku sovпада s smerjo rotacije pogonskega škripca. (**Skica 2**)
- (3) S prstom pritisnite ročico in škripec prostega teka se bo pomaknil proti naprej in primerno napel brusilni trak. V tem primeru bodite pazljivi, da ročice ne udarite s prstom.
Nato nastavite položaj brusilnega traku.

POZOR

Brusilni trak, nameščen v napačni smeri bo zmanjšal učinkovitost dela in skrajšal življenjsko dobo brusilnega traku.

2. Kako odstraniti brusilni trak

S prstom povlecite ročico, brusilni trak se bo povabil in enostavno boste ga lahko odstranili iz škripcev.

ODSTRANJEVANJE PRAHU

Ko se v vrečki za prah nabere prevelika količina prahu bo učinkovitost zbiranja prahu skokovito padla. Prah iz vrečke odstranite, ko sta polni približno 2/3 vrečke. S tem boste zagotovili učinkovito zbiranje prahu (kot tudi delovno učinkovitost).

Prah iz vrečke odstranite na naslednji način:

- (1) Odvijte podporni drog in odstranite vrečko s prahom. (**Skica 5**)
- (2) Odprtino vreče lahko odprete tako, da odprete drsno tesnilo.

KAKO UPORABLJATI BRUSILNI TRAK

1. Kako nastaviti položaj brušenja.

Pritisnite stikalo in obrnite brusilni trak v položaj za preverjanje. Brusilni trak nastavite tako, da oba robova gledata od 1,6 mm - 3 mm izven robov škripcev.

Če brusilni trak uporabljate preveč navznoter lahko to povzroči odrgnjenje in poškoduje stroj.

Položaj brusilnega traku nastavite z obračanjem vijaka za nastavljanje (**Skica 3**)

- Obrnite vijak za nastavljanje v smeri urinega kazalca, da pomaknete trak navznoter.
- Obrnite vijak za nastavljanje v nasprotni smeri urinega kazalca, da pomaknete trak navzven.

POZOR

Če se trak premika med delovanjem lahko nastavljanje izvedete med delovanjem.

2. Obračanje stikala za vklop

Obrnite stikalo za vklop in stroj držite v stran od obdelovalne površine. Če je stroj postavljen na površino, ko pritisnete stikalo, se lahko površina hudo poškoduje. Enako velja pri zaustavljanju stroja.

3. Kako držati stroj

Primate ročico in gumb na njej ter držite stroj ob površini katero obdelujete tako, da se je narahlo dotika. Teža samega stroja je zadostna za brušenje in poliranje pri najvišji učinkovitosti.

Ne pritiskajte dodatno na stroj, saj s tem nepotrebno obremenite motor, skrajšate življenjsko dobo brusilnega traku in zmanjšate delovno učinkovitost. (**Skica 4**)

4. Kako premikati stroj

Stroj naprej pomikajte naprej in nato nazaj, ter ponavljajte te gibe. (**Skica 4**)

5. Kako izbrati primeren brusilni trak

S pomočjo spodnje **Tabele 2 in 3** izberite brusilni trak s primerno velikostjo in tipom delcev.

Tabela 2

Izpeljan zaključek	Primerna velikost delcev
Grob zaključek	30 – 40
Srednji zaključek	40 – 100
Polfini zaključek	80 – 240
Finisni zaključek	180 – 400

Tabela 3

Tip delcev	Obdelovalna površina
AA	Jeklo, Les
WA	Les, Bambus

POZOR

- Za velikost delcev glejte **Tabelo 3**
- Delec brusilnega traku mora biti bolj grob od smirkovega papirja, ki ga uporabljate za ročno delo.
- Uporabite brusilni trak z enako velikostjo delca, da dosežete enakomerno površino. Spreminjanje velikosti delcev lahko povroči slab zaključek.

6. Kako uporabljati stikalo

Stikalo za vklop je vključeno (ON), ko povlecete za sprožilec in če enkrat pritisnete na zaustavljalec se bo stikalo zaklenilo in omogočilo nenehno delovanje. Zaustavljalec lahko sprostite tako, da povlecete sprožilec. (**Skica 5**)

7. Nastavljanje hitrosti traku

Brusilni trak je opremljen z električnim nadzornim vezjem, ki omogoča brezokoračen nadzor nad hitrostjo. Za prilagajanje hitrosti obrnite številčnico, ki je prikazana na **Skici 6**.

Ko je številčnica nastavljena na "1", bo brusilnik deloval pri najnižji hitrosti. Ko je številčnica nastavljena na "5", bo brusilnik deloval pri najvišji hitrosti.

8. Kako delati pri robovih

Robove lahko brusite in polirate tako, da stroj uporabite kot je prikazano na **Skici 7**.

VZDRŽEVANJE IN PREGLEDI

1. Pregledovanje brusilnega traku:

Ker bo nenehna uporaba obrabljenega brusilnega traku poslabšala učinkovitost, zamenjajte brusilni trak takoj, ko opazite pretirano odrgnjenost.

2. Pregled montažnih vijakov

Redno preverjajte vse montažne vijake in se prepričajte, da so primerno zaviti. Če se katerikoli vijak odvijne, ga takoj zavijte. Če tega ne naredite lahko pride do resnih nesreč.

3. Vzdrževanje motorja

Navitje enote motorja je "srce" električnega orodja. Bodite zelo pazljivi, da navitja ne poškodujete in/ali zmočite z oljem ali vodo.

4. Preverjanje ogljikovih ščetk

Za nenehno varnost in zaščito pred električnim udarom naj pregled in zamenjavo ogljikovih ščetk izvaja LE POOBLAŠČENI SERVISNI CENTER HITACHI.

5. Zamenjava električnega kabla

Če je električni kabel orodja poškodovan, vrnite orodje na v pooblaščen servisni center Hitachi, kjer vam ga bomo zamenjali.

6. Seznam servisnih delov**POZOR**

Popravila, spremembe in pregled Hitachi električnega orodja mora izvajati pooblaščen servisni center Hitachi. Zlasti lasersko napravo mora vzdrževati pooblaščen agent proizvajalca laserja.

Popravilo laserske naprave zmeraj določite pooblaščenemu servisnemu centru Hitachi.

Pri zahtevi za popravilo ali vzdrževanje bo v veliko pomoč, če pooblaščenemu servisnemu centru Hitachi skupaj z orodjem izročite tudi ta seznam delov.

Pri uporabi in vzdrževanju električnih orodjih je treba upoštevati varnostne uredbe in standarde, ki so določene za vsako državo.

SPREMEMBE

Hitach električna orodja se nenehno izboljšujejo in spreminjajo, da bi vključevala najnovejše tehnološke napredke.

Torej se lahko nekateri deli spremenijo brez vnaprejšnjega obvestila.

GARANCIJA

Garantiramo za Hitachi električna orodja v skladu z ustavno/državno veljavnimi uredbami. Garancija ne pokriva napak ali poškodb, ki nastanejo zaradi nepravilne uporabe, zlorabe ali normalne obrabe. V primeru pritožbe pošljite nerazstavljeno električno orodje skupaj z GARANCIJSKIM CERTIFIKATOM, ki ga najdete na koncu teh navodil za uporabo, na pooblaščen servisni center Hitachi.

OPOMBA

Zaradi HITACHIJEVEGA nenehnega programa raziskav in razvoja se specifikacije lahko spremenijo brez vnaprejšnjega obvestila.

Informacije o hrupu in vibracijah

Izmerjene vrednosti so bile določene glede na EN 60745 in navedeno v skladu z ISO 4871.

Tipičen A-obremenjen nivo moči zvoka: 98 dB (A)

Tipičen A-obremenjen nivo zvočnega pritiska: 87 dB (A)

Spremenljivost KpA: 3 dB (A)

Uporabljajte zaščito za ušesa.

Tipično obremenjeno povprečje kvadrata izvirnega pospeška ne presega 2,5 m/s².

ОБЩИЕ ПРАВИЛА ПО ТЕХНИКЕ БЕЗОПАСНОСТИ

ПРЕДУПРЕЖДЕНИЕ!

Прочтите руководство по эксплуатации

Невыполнение всех приведенных ниже положений данного руководства может привести к поражению электрическим током, пожару и/или к серьезной травме. Термин "электроинструмент" в контексте всех приведенных ниже мер предосторожности относится к эксплуатируемому Вами электроинструменту с питанием от сетевой розетки (с сетевым шнуром) или электроинструменту с питанием от аккумуляторной батареи (беспроводному).

СОХРАНИТЕ ДАННОЕ РУКОВОДСТВО

1) Рабочее место

- a) **Поддерживайте чистоту и хорошее освещение на рабочем месте.**
Беспорядок и плохое освещение на рабочих местах приводит к несчастным случаям.
- b) **Не используйте электроинструменты во взрывоопасных окружающих условиях, например, в непосредственной близости от огнеопасных жидкостей, горючих газов или легковоспламеняющейся пыли.**
Электроинструменты порождают искры, которые могут воспламенить пыль или испарения.
- c) **Держите детей и наблюдателей на безопасном расстоянии во время эксплуатации электроинструмента.**
Отвлечение внимания может стать для Вас причиной потери управления.

2) Электробезопасность

- a) **Штепсельные вилки электроинструментов должны соответствовать сетевой розетке. Никогда не модифицируйте штепсельную вилку никоим образом.**
Не используйте никакие адаптерные переходники с заземленными (замкнутыми на землю) электроинструментами.
Немодифицированные штепсельные вилки и соответствующие им сетевые розетки уменьшают опасность поражения электрическим током.
- b) **Не прикасайтесь телом к заземленным поверхностям, например, к трубопроводам, радиаторам, кухонным плитам и холодильникам.**
Если Ваше тело соприкоснется с заземленными поверхностями, возрастает опасность поражения электрическим током.
- c) **Не подвергайте электроинструменты воздействию дождя или влаги.**
При попадании воды в электроинструмент возрастает опасность поражения электрическим током.
- d) **Правильно обращайтесь со шнуром. Никогда не переносите электроинструмент, взявшись за шнур, не тяните за шнур, и не дергайте за шнур с целью отсоединения электроинструмента от сетевой розетки. Располагайте шнур подальше от источников тепла, нефтепродуктов, предметов с острыми кромками и движущихся деталей.**
Поврежденные или запутанные шнуры увеличивают опасность поражения электрическим током.

- e) **При эксплуатации электроинструмента вне помещений, используйте удлинительный шнур, предназначенный для использования вне помещения.**
Использование шнура, предназначенного для работы вне помещений, уменьшит опасность поражения электрическим током.

3) Личная безопасность

- a) **Будьте готовы к неожиданным ситуациям, внимательно следите за своими действиями и руководствуйтесь здравым смыслом при эксплуатации электроинструмента. Не используйте электроинструмент, когда Вы устали или находитесь под влиянием наркотиков, алкоголя или лекарственных препаратов.**
Мгновенная потеря внимания во время эксплуатации электроинструментов может привести к серьезной травме.
- b) **Используйте защитное снаряжение. Всегда надевайте средство защиты глаз.**
Защитное снаряжение, например, противопылевой респиратор, защитная обувь с нескользящей подошвой, защитный шлем-каска или средства защиты органов слуха, используемые для соответствующих условий, уменьшат травмы.
- c) **Избегайте непреднамеренного включения двигателя. Убедитесь в том, что выключатель находится в положении выключения перед подсоединением к сетевой розетке.**
Переноска электроинструментов, когда Вы держите палец на выключателе, или подсоединение электроинструментов к сетевой розетке, когда выключатель будет находиться в положении включения, приводит к несчастным случаям.
- d) **Снимите все регулировочные или гаечные ключи перед включением электроинструмента.**
Гаечный или регулировочный ключ, оставленный прикрепленным к вращающейся детали электроинструмента может привести к получению личной травмы.
- e) **Не теряйте устойчивость. Все время имейте надежную точку опоры и сохраняйте равновесие.**
Это поможет лучше управлять электроинструментом в непредвиденных ситуациях.
- f) **Одевайтесь надлежащим образом. Не надевайте просторную одежду или ювелирные изделия. Держите волосы, одежду и перчатки как можно дальше от движущихся частей.**
Просторная одежда, ювелирные изделия или длинные волосы могут попасть в движущиеся части.
- g) **Если предусмотрены устройства для присоединения приспособлений для отвода и сбора пыли, убедитесь в том, что они присоединены и используются надлежащим образом.**
Использование данных устройств может уменьшить опасности, связанные с пылью.

- 4) Эксплуатация и обслуживание электроинструментов
- a) Не перегружайте электроинструмент. Используйте надлежащий для Вашего применения электроинструмент.
Надлежащий электроинструмент будет выполнять работу лучше и надежнее в том режиме работы, на который он рассчитан.
- b) Не используйте электроинструмент с неисправным выключателем, если с его помощью нельзя будет включить и выключить электроинструмент.
Каждый электроинструмент, которым нельзя управлять с помощью выключателя, будет представлять опасность и его будет необходимо отремонтировать.
- c) Отсоедините штепсельную вилку от источника питания перед началом выполнения какой-либо из регулировок, перед сменой принадлежностей или хранением электроинструментов.
Такие профилактические меры безопасности уменьшат опасность непреднамеренного включения двигателя электроинструмента.
- d) Храните неиспользуемые электроинструменты в недоступном для детей месте, и не разрешайте людям, не знающим как обращаться с электроинструментом или не изучившим данное руководство, работать с электроинструментом.
Электроинструменты представляют опасность в руках неподготовленных пользователей.
- e) Содержите электроинструменты в исправности. Проверьте, нет ли несоосности или заедания движущихся частей, повреждения деталей или какого-либо другого обстоятельства, которое может повлиять на функционирование электроинструментов.
При наличии повреждения, отремонтируйте электроинструмент перед его эксплуатацией. Большое количество несчастных случаев связано с плохим обслуживанием электроинструментов.
- f) Содержите режущие инструменты остро заточенными и чистыми.
Содержащиеся в исправности надлежащим образом режущие инструменты с острыми режущими кромками будут меньше заедать, и будут легче в управлении.

- g) Используйте электроинструмент, принадлежности, насадки и т.п., в соответствии с данным руководством и определенным типом электроинструмента для выполнения работы по его прямому назначению, принимая во внимание условия и объем выполняемой работы.
Использование электроинструмента для выполнения работ не по прямому назначению может привести к опасной ситуации.

- 5) Обслуживание
- a) Обслуживание Вашего электроинструмента должно выполняться квалифицированным представителем ремонтной службы с использованием только идентичных запасных частей.
Это обеспечит сохранность и безопасность электроинструмента.

МЕРА ПРЕДОСТОРОЖНОСТИ

Держите подальше от детей и слабых людей.
Если инструменты не используются, их следует хранить в недоступном для детей и слабых людей месте.

МЕРЫ ПРЕДОСТОРОЖНОСТИ ПО ИСПОЛЬЗОВАНИЮ ЛЕНТОЧНО-ШЛИФОВАЛЬНОГО СТАНКА

ПРЕДОСТЕРЕЖЕНИЕ

Перед операцией шлифования проверьте материал, который вы собираетесь шлифовать.

Если в течение операции шлифования ожидается выделение вредной/ядовитой пыли, как например свинцовая краска, дерево и металлы, то убедитесь, что пылесборник или соответствующая система пылеудаления плотно присоединены к отверстию для вывода пыли.

Если доступно, то дополнительно носите противопылевой респиратор.

Не вдыхайте и не касайтесь вредной/ядовитой пыли, выделяемой при шлифовке, такая пыль может угрожать вашему здоровью или здоровью окружающих.

ТЕХНИЧЕСКИЕ ХАРАКТЕРИСТИКИ

Напряжение (по регионам)*	(110 В, 120 В, 230 В, 240 В) √
Потребляемая мощность*	1020 W
Скорость ленты на холостом ходу	250 – 450 м/мин
Размер наждачной ленты	76 × 533 мм
Вес (без шнура)	4,3 кг

*Проверьте паспортную табличку на изделии, так как она меняется в зависимости от региона

СТАНДАРТНЫЕ АКСЕССУАРЫ

- (1) Кольцевая шлифовальная лента
(размер зерна: #80) 1
- (2) Пылесборник 1
- Набор стандартных аксессуаров может быть без предупреждения изменён.

ДОПОЛНИТЕЛЬНЫЕ АКСЕССУАРЫ (продаются отдельно)

1. Кольцевые шлифовальные ленты

Таблица 1

Размер зерна	Тип зерна
30	AA
40	AA, WA
60	AA, WA
80	AA, WA
100	AA, WA
120	AA, WA
150	AA, WA
180	AA, WA
240	AA, WA
320	AA
400	AA

ПРИМЕЧАНИЕ:

Кольцевые шлифовальные ленты продаются упаковками по 10 лент одного типа.
При заказе указывать желаемые тип и размер зерна.

2. Стационарная консоль

Для удобства используйте стационарную консоль при шлифовке объектов небольшого размера.

Набор дополнительных аксессуаров может быть без предупреждения изменён.

ОБЛАСТЬ ПРИМЕНЕНИЯ

- Отделочная шлифовка и чистовое строгание деревянных изделий.
- Основная полировка поверхностей с деревянным покрытием.
- Отделочная шлифовка металлических поверхностей.
- Основная полировка поверхностей с металлическим покрытием, удаление ржавчины или краски перед повторной отделкой.
- Поверхностная отделка шифера, бетона и аналогичных материалов.

ПОДГОТОВКА К ЭКСПЛУАТАЦИИ

1. Источник электропитания

Проследите за тем, чтобы используемый источник электропитания соответствовал требованиям к источнику электропитания, указанным на типовой табличке изделия.

2. Переключатель “Вкл./ Выкл.”

Убедитесь в том, что переключатель находится в положении “Выкл.”. Если вы вставляете штепсель в розетку, а переключатель находится в положении “Вкл.”, инструмент немедленно заработает, что может стать причиной серьёзной травмы.

3. Удлинитель

Когда рабочая площадка удалена от источника электропитания, пользуйтесь удлинителем. Удлинитель должен иметь требуемую площадь поперечного сечения и обеспечивать работу инструмента заданной мощности. Разматывайте удлинитель только на реально необходимую для данного конкретного применения длину.

4. Установите шлифовальную ленту.

Относительно деталей смотрите раздел “Узел шлифовальной ленты”

КАК ОБРАЩАТЬСЯ СО ШЛИФОВАЛЬНОЙ ЛЕНТОЙ

ПРЕДОСТЕРЕЖЕНИЕ:

Убедитесь, что выключатель питания находится в положении OFF и отключите вилку из разъёма во избежание серьёзных проблем.

1. Как установить шлифовальную ленту

- (1) Потяните рычаг пальцем, затем натяжной шкив будет двигаться в обратном направлении. (Рис. 1)
- (2) Поместите на приводной шкив и натягивайте его через внешнюю поверхность башмака и убедитесь, что стрелка на внутренней поверхности ленты совпадают с направлением вращения приводного шкива. (Рис. 2)
- (3) Толкните рычаг пальцем, после этого натяжной шкив начнет двигаться вперед и обеспечить соответствующее натяжение шлифовальной ленте. В этом случае будьте осторожны, чтобы рычаг не ударил ваш палец.

ПРЕДОСТЕРЕЖЕНИЕ:

Установка шлифовальной ленты в неправильном направлении приведет к снижению эффективности работы и сокращению срока службы шлифовальной ленты.

2. Как снять шлифовальную ленту

Потяните рычаг пальцем, шлифовальная лента провиснет и может быть легко снята со шкивов.

УДАЛЕНИЕ ПЫЛИ

При скоплении избыточного количества пыли в пылесборнике, эффективность сбора пыли резко уменьшится.

Удалите пыль из мешка, когда её соберется примерно 2/3 объема мешка, что будет гарантировать эффективность сбора пыли (как и производительность). Удаляйте пыль из мешка следующим образом:

- (1) Ослабьте опорную планку и снимите пылесборник. (Рис. 5)
- (2) После этого с помощью застёжки-молнии можно открыть пылеприемник.

КАК ИСПОЛЬЗОВАТЬ ЛЕНТОЧНО-ШЛИФОВАЛЬНЫЙ СТАНОК

1. Как отрегулировать положение шлифовки.

Нажмите выключатель и поверните шлифовальную ленту в положение проверки. Отрегулируйте шлифовальную ленту так, чтобы оба конца выступали на 1,6 мм – 3 мм за края шкивов.

Если шлифовальная лента располагается слишком близко к внутренней поверхности, то она может вызвать абразивный износ и повредить машину. Поворачивая регулировочный винт, отрегулируйте положение шлифовальной ленты (Рис. 3).

- Поворачивайте регулировочный винт по часовой стрелке для приближения ленты.
- Поворачивайте регулировочный винт против часовой стрелки для удаления ленты.

ПРЕДОСТЕРЕЖЕНИЕ:

Если шлифовальная лента движется в процессе эксплуатации, то регулировка может проводиться в течение работы.

2. Для включения выключателя.

Включайте выключатель, удерживая машину вдали от поверхности, которая должна обрабатываться. Если при включении машина находится на поверхности, то эта поверхность может быть сильно повреждена царапинами. То же самое применимо и в случае останки машины.

3. Как держать машину

Крепко сожмите рукоятку и выступ ручки и держите станок против обрабатываемой поверхности так, чтобы он слегка касался поверхности.

Вес самого станка достаточен для шлифовки и полировки с максимальной эффективностью.

Не прилагайте дополнительного давления, т.к. оно будет создавать излишнюю нагрузку на мотор, сокращая срок службы шлифовальной ленты и снижать производительность работы. (Рис. 4)

4. Как двигать станок

Перемещайте станок сначала вперед, а потом назад, повторяя это движение. (Рис. 4)

5. Как выбрать правильную шлифовальную ленту

Выбирайте шлифовальную ленту с соответствующим размером и типом зерна для вашей конкретной цели, обращаясь к приведенным ниже Таблицам 2 и 3.

Таблица 2

Вторичная отделка	Соответствующий размер зерна
Грубая отделка	30 – 40
Средняя отделка	40 – 100
Получистовая отделка	80 – 240
Чистовая отделка	180 – 400

Таблица 3

Тип зерна	Обрабатываемая поверхность
AA	Сталь, Дерево
WA	Дерево, Бамбук

ПРЕДОСТЕРЕЖЕНИЕ:

- Относительно размера зерна обращайтесь к Таблице 3.

- Зерно шлифовальной ленты должно быть более крупным по сравнению с наждачной бумагой, используемой для ручной работы.

- Используйте шлифовальную ленту с одинаковым размером зерна до получения однородной поверхности. Смена размеров зерна может привести к плохой отделке.

6. Как управлять выключателем

Выключатель электропитания устанавливается в положение ON при нажатии курка, и если этот выключатель нажат, то он будет зафиксирован, делая возможной непрерывную работу. Фиксатор может быть освобожден нажатием курка. (Рис. 5)

7. Регулировка скорости ленты

Ленточно-шлифовальный станок оснащен схемой электроуправления, обеспечивающей плавную регулировку скорости. Для регулировки скорости поверните шкальный диск, показанный на Рис. 6. При установке диска на "1", ленточно-шлифовальный станок работает при минимальной скорости. При установке диска на "5", ленточно-шлифовальный станок работает при максимальной скорости.

8. Как обрабатывать угол

Углы могут шлифоваться и полироваться при использовании станка так, как показано на Рис. 7.

ТЕХНИЧЕСКОЕ ОБСЛУЖИВАНИЕ И ПРОВЕРКА

1. Проверка шлифовальной ленты:

Поскольку длительное использование изношенной шлифовальной ленты будет понижать производительность работы, то заменяйте шлифовальную ленту сразу после выявления избыточного истирания.

2. Проверка установленных винтов

Регулярно проверяйте все установленные на инструменте винты, следите за тем, чтобы они были как следует затянуты. Немедленно затяните винт, который окажется ослабленным. Невыполнение этого правила грозит серьезной опасностью.

3. Техническое обслуживание двигателя

Обмотка двигателя - "сердце" электроинструмента. Проявляйте должное внимание, следя за тем, чтобы обмотка не была повреждена и/или залита маслом или водой.

4. Осмотр угольных щеток

С целью обеспечения Вашей постоянной безопасности и предотвращения поражения электрическим током, осмотр и замену угольной щетки на данном электроинструменте должны выполнять ТОЛЬКО специалисты авторизованного сервисного центра Hitachi.

5. Замена сетевого шнура

В случае если будет поврежден сетевой шнур данного электроинструмента, электроинструмент необходимо вернуть в авторизованный сервисный центр Hitachi для замены шнура.

6. Порядок записей по техобслуживанию

ПРЕДОСТЕРЕЖЕНИЕ

Ремонт, модификацию и осмотр механизированного инструмента фирмы Hitachi следует проводить в авторизованном сервисном центре Hitachi.

Этот перечень запасных частей пригодится при представлении его вместе с инструментом в авторизованный сервисный центр Hitachi с запросом на ремонт или прочее обслуживание.

При работе и обслуживании механизированных инструментов нужно соблюдать правила и стандарты безопасности, действующие в каждой данной стране.

ЗАМЕЧАНИЕ

Фирма HITACHI непрерывно работает над усовершенствованием своих изделий, поэтому мы сохраняем за собой право на внесение изменений в технические характеристики, упомянутые в данной инструкции по эксплуатации, без предупреждения об этом.

ГАРАНТИЯ

Мы гарантируем соответствие автоматических инструментов Hitachi нормативным/национальным положениям. Данная гарантия не распространяется на дефекты или ущерб, возникший вследствие неправильного использования или ненадлежащего обращения, а также нормального износа. В случае подачи жалобы отправляйте автоматический инструмент в неразобранном состоянии вместе с ГАРАНТИЙНЫМ СЕРТИФИКАТОМ, который находится в конце инструкции по обращению, в авторизованный центр обслуживания Hitachi.

ПРИМЕЧАНИЕ

На основании постоянных программ исследования и развития, HITACHI оставляют за собой право на изменение указанных здесь технических данных без предварительного уведомления.

Информация, касающаяся создаваемого шума и вибрации

Измеряемые величины были определены в соответствии с EN60745 и заявлены в соответствии с ISO 4871.

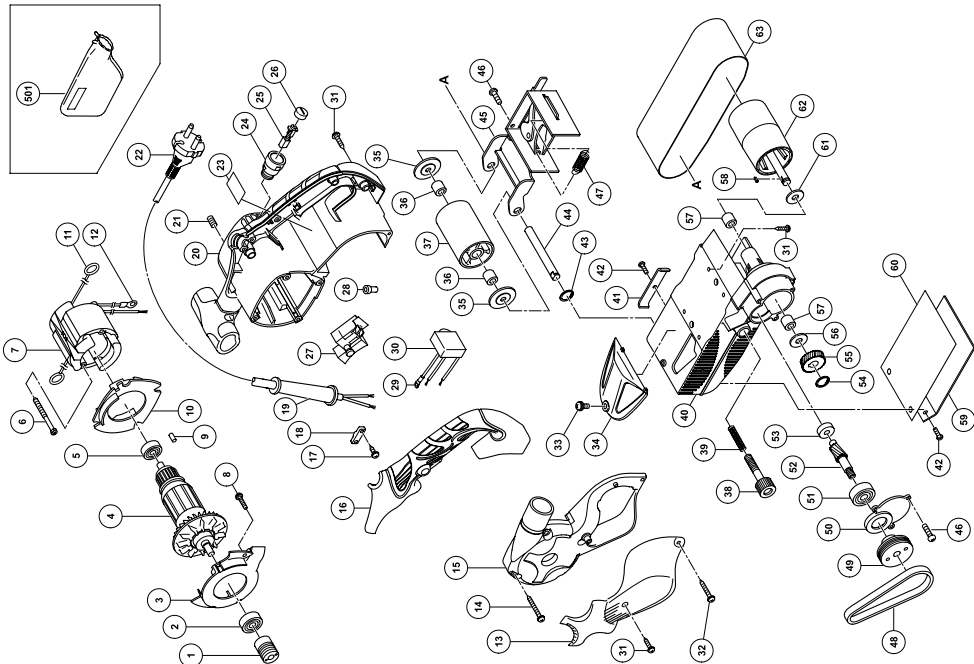
Измеренный средневзвешенный уровень звуковой мощности: 98 дБ (А)

Измеренный средневзвешенный уровень звукового давления: 87 дБ (А)

Погрешность КрА: 3 дБ (А)

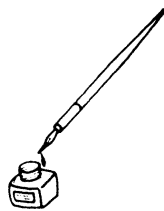
Надевайте наушники.

Типичное взвешенное среднеквадратическое значение ускорения не превышает 2,5 м/с².



Part No.	Part Name	QTY
52	PINION	1
53	METAL	1
54	RETAINING RING FOR D10 SHAFT	1
55	GEAR	1
56	WASHER (B) D19	2
57	METAL D10x14x12	1
58	FEATHER KEY 3x3x8	1
59	SHOE PLATE	1
60	SHOE CUSION	1
61	WASHER (B) D19	2
62	DRIVE PULLEY	1
63	SANDING BELT	1
501	DUST BAG	1

Part No.	Part Name	QTY
1	PULLEY(A)	1
2	BALL BEARING	1
3	DUST GUIDE	1
4	ARMATURE ASSY	1
5	BALL BEARING	1
6	HEX. HD. TAPPING SCREW D5x6.5	2
7	STATOR ASSY	1
8	MACHINE SCREW (W/WASHERS) M4x12	2
9	BEARING LOCK	1
10	FAN GUIDE	1
11	BRUSH TERMINAL	2
12	TERMINAL	2
13	BELT COVER	1
14	TAPPING SCREW (W/FLANGE) D5x4.5	4
15	DUST COVER	1
16	HANDLE COVER	1
17	TAPPING SCREW (W/FLANGE) D4x16	2
18	CORD CLIP	1
19	CORD ARMOR	1
20	HOUSING ASSY	2
21	HEX. SOCKET SET SCREW M5x8	1
22	CORD	1
23	NAME PLATE	1
24	BRUSH HOLDER	2
25	CARBON BRUSH	2
26	BRUSH CAP	2
27	SWITCH(E)	1
28	CONNECTOR 50091	1
29	TERMINAL M3.5	1
30	CONTROL	1
31	TAPPING SCREW (W/FLANGE) D4x16	8
32	TAPPING SCREW (W/FLANGE) D4x30	1
33	MACHINE SCREW (W/WASHERS) M4x8	1
34	CLEAR COVER	1
35	WASHER (B)	2
36	METAL D10x14x12	2
37	IDLE PULLEY ASSY	1
38	ADJUSTING SCREW	1
39	SPRING	1
40	BODY ASSY	1
41	STRIKING GUIDE	1
42	FT-MACHINE SCREW M4x10	3
43	RETAINING RING FOR D10 SHAFT	1
44	SHAFT(B)	1
45	BELT TENSIONER ASSY	1
46	FT-MACHINE SCREW M4x14	5
47	SPRING	1
48	BELT	1
49	PULLEY(B)	1
50	GEAR COVER	1
51	BALL BEARING	1

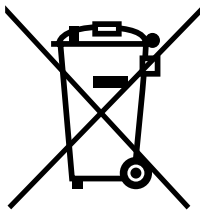


<p>English</p> <p><u>GUARANTEE CERTIFICATE</u></p> <p>① Model No. ② Serial No. ③ Date of Purchase ④ Customer Name and Address ⑤ Dealer Name and Address (Please stamp dealer name and address)</p>	<p>Čeština</p> <p><u>ZÁRUČNÍ LIST</u></p> <p>① Model č. ② Série č. ③ Datum nákupu ④ Jméno a adresa zákazníka ⑤ Jméno a adresa prodejce (Prosíme o razítko se jménem a adresou prodejce)</p>
<p>Deutsch</p> <p><u>GARANTIESCHEIN</u></p> <p>① Modell-Nr. ② Serien-Nr. ③ Kaufdatum ④ Name und Anschrift des Kunden ⑤ Name und Anschrift des Händlers (Bitte mit Namen und Anschrift des Handlers abstempeln)</p>	<p>Türkçe</p> <p><u>GARANTİ SERTİFİKASI</u></p> <p>① Model No. ② Seri No. ③ Satın Alma Tarihi ④ Müşteri Adı ve Adresi ⑤ Bayi Adı ve Adresi (Lütfen bayi adını ve adresini kaşe olarak basın)</p>
<p>Ελληνικά</p> <p><u>ΠΙΣΤΟΠΟΙΗΤΙΚΟ ΕΓΓΥΗΣΗΣ</u></p> <p>① Αρ. Μοντέλου ② Αύξων Αρ. ③ Ημερομηνία αγοράς ④ Όνομα και διεύθυνση πελάτη ⑤ Όνομα και διεύθυνση μεταπωλητή (Παρακαλούμε να χρησιμοποιηθεί σφραγίδα)</p>	<p>Română</p> <p><u>CERTIFICAT DE GARANȚIE</u></p> <p>① Model nr. ② Nr. de serie ③ Data cumpărării ④ Numele și adresa clientului ⑤ Numele și adresa distribuitorului (Vă rugăm aplicați ștampila cu numele și adresa distribuitorului)</p>
<p>Polski</p> <p><u>GWARANCJA</u></p> <p>① Model ② Numer seryjny ③ Data zakupu ④ Nazwa klienta i adres ⑤ Nazwa dealera i adres (Pieczęć punktu sprzedaży)</p>	<p>Slovenščina</p> <p><u>GARANCIJSKO POTRDILO</u></p> <p>① Št. modela ② Serijska št. ③ Datum nakupa ④ Ime in naslov kupca ⑤ Ime in naslov prodajalca (Prosimo vtisnite žig z imenom in naslovom prodajalca)</p>
<p>Magyar</p> <p><u>GARANCIA BIZONYLAT</u></p> <p>① Típuszám ② Sorozatszám ③ A vásárlás dátuma ④ A Vásárló neve és címe ⑤ A Kereskedő neve és címe (Kérjük ide elhelyezni a Kereskedő nevének és címének pecsétjét)</p>	<p>Русский</p> <p><u>ГАРАНТИЙНЫЙ СЕРТИФИКАТ</u></p> <p>① Модель № ② Серийный № ③ Дата покупки ④ Название и адрес заказчика ⑤ Название и адрес дилера (Пожалуйста, внесите название и адрес дилера)</p>

HITACHI

①	
②	
③	
④	
⑤	





English

Only for EU countries

Do not dispose of electric tools together with household waste material!

In observance of European Directive 2002/96/EC on waste electrical and electronic equipment and its implementation in accordance with national law, electric tools that have reached the end of their life must be collected separately and returned to an environmentally compatible recycling facility.

Deutsch

Nur für EU-Länder

Werfen Sie Elektrowerkzeuge nicht in den Hausmüll! Gemäss Europäischer Richtlinie 2002/96/EG über Elektro- und Elektronik- Altgeräte und Umsetzung in nationales Recht müssen verbrauchte Elektrowerkzeuge getrennt gesammelt und einer umweltgerechten Wiederverwertung zugeführt werden.

Ελληνικά

Μόνο για τις χώρες της ΕΕ

Μην πετάτε τα ηλεκτρικά εργαλεία στον κάδο οικιακών απορριμμάτων!

Σύμφωνα με την ευρωπαϊκή οδηγία 2002/96/EK περί ηλεκτρικών και ηλεκτρονικών συσκευών και την ενσωμάτωσή της στο εθνικό δίκαιο, τα ηλεκτρικά εργαλεία πρέπει να συλλέγονται ξεχωριστά και να επιστρέφονται για ανακύκλωση με τρόπο φιλικό προς το περιβάλλον.

Polski

Dotyczy tylko państw UE

Nie wyrzucaj elektronarzędzi wraz z odpadami z gospodarstwa domowego!

Zgodnie z Europejską Dyrektywą 2002/96/WE w sprawie zużytego sprzętu elektrotechnicznego i elektronicznego oraz dostosowaniem jej do prawa krajowego, zużyte elektronarzędzia należy posegregować i zutylizować w sposób przyjazny dla środowiska.

Magyar

Csak EU-országok számára

Az elektromos kéziszerszámokat ne dobja a háztartási szemétkébe!

A használt villamos és elektronikai készülékekről szóló 2002/96/EK irányelv és annak a nemzeti jogba való átültetése szerint az elhasznált elektromos kéziszerszámokat külön kell gyűjteni, és környezetbarát módon újra kell hasznosítani.

Čeština

Jen pro státy EU

Elektrické nářadí nevyhazujte do komunálního odpadu! Podle evropské směrnice 2002/96/EG o nakládání s použitými elektrickými a elektronickými zařízeními a odpovídajících ustanovení právních předpisů jednotlivých zemí se použitá elektrická nářadí musí sbírat odděleně od ostatního odpadu a podrobit ekologicky šetrnému recyklování.

Türkçe

Sadece AB ülkeleri için

Elektrikli el aletlerini evdeki çöp kutusuna atmayınız!

Kullanılmış elektrikli aletleri, elektrik ve elektronikli eski cihazlar hakkındaki 2002/96/EC Avrupa yönergelerine göre ve bu yönergeler ulusal hukuk kurallarına göre uyarlanarak, ayrı olarak toplanmalı ve çevre şartlarına uygun bir şekilde tekrar değerlendirilmeye gönderilmelidir.

Română

Numai pentru țările membre UE

Nu aruncați această sculă electrică împreună cu deșeurile menajere!

În conformitate cu Directiva Europeană 2002/96/CE referitoare la deșeurile reprezentând echipamente electrice și electronice și la implementarea acesteia în conformitate cu legislațiile naționale, sculele electrice care au ajuns la finalul duratei de folosire trebuie colectate separat și duse la o unitate de reciclare compatibilă cu mediul înconjurător.

Slovenščina

Samo za države EU

Električnih orodij ne zavržite skupaj z gospodinjskimi odpadki!

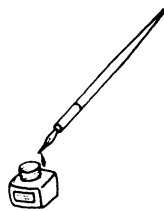
V skladu z evropsko direktivo 2002/96/EC o odpadni električni in elektronski opremi in izvedbi v skladu z državnimi zakoni, je treba električna orodja, ki so dosegla življenjsko dobo ločeno zbirati in vrniti v z okoljem združljivo ustanovo za recikliranje.

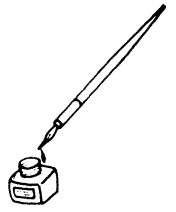
Русский

Только для стран ЕС

Не выкидывайте электроприборы вместе с обычным мусором!

В соответствии с европейской директивой 2002/96/EG об утилизации старых электрических и электронных приборов и в соответствии с местными законами электроприборы, бывшие в эксплуатации, должны утилизироваться отдельно безопасным для окружающей среды способом.





<p>English</p> <p>EC DECLARATION OF CONFORMITY</p> <p>We declare under our sole responsibility that this product is in conformity with standards or standardized documents EN60745, EN55014 and EN61000-3 in accordance with Council Directives 73/23/EEC, 89/336/EEC and 98/37/EC.</p> <p>This declaration is applicable to the product affixed CE marking.</p>	<p>Čeština</p> <p>PROHLÁŠENÍ O SHODĚ S CE</p> <p>Prohlašujeme na svoji zodpovědnost, že tento výrobek odpovídá normám EN60745, EN55014 a EN61000-3 v souladu se směrnicemi 73/23/EEC, 89/336/EEC a 98/37/EC.</p> <p>Toto prohlášení platí pro výrobek označený značkou CE.</p>
<p>Deutsch</p> <p>ERKLÄRUNG ZUR KONFORMITÄT MIT CE-REGELN</p> <p>Wir erklären mit alleiniger Verantwortung, daß dieses Produkt den Standards oder standardisierten Dokumenten EN60745, EN55014 und EN61000-3 in Übereinstimmung mit den Direktiven des Europarats 73/23/EWG, 89/336/EWG und 98/37/CE entspricht.</p> <p>Diese Erklärung gilt für Produkte, die die CE-Markierung tragen.</p>	<p>Türkçe</p> <p>AB UYGUNLUK BEYANI</p> <p>Bu ürünün, 73/23/EEC, 89/336/EEC ve 98/37/EC sayılı Konsey Direktiflerine uygun olarak, EN60745, EN55014 ve EN61000-3 sayılı standartlara ve standartlaştırılmış belgelere uygun olduğunu, tamamen kendi sorumluluğumuz altında beyan ederiz.</p> <p>Bu beyan, üzerinde CE işareti bulunan ürünler için geçerlidir.</p>
<p>Ελληνικά</p> <p>ΕΚ ΔΗΛ-ΣΗ ΕΝΑΡΜΟΝΙΣΜΟΥ</p> <p>Δηλώνουμε με απόλυτη υπευθυνότητα ότι αυτό το προϊόν είναι εναρμονισμένο με τα πρότυπα ή τα έγγραφα προτύπων EN60745, EN55014 και EN61000-3 σε συμφωνία με τις Οδηγίες του Συμβουλίου 73/23/ΕΟΚ, 89/336/ΕΟΚ και 98/37/ΕΚ.</p> <p>Αυτή η δήλωση ισχύει στο προϊόν με το σημάδι CE.</p>	<p>Română</p> <p>DECLARAȚIE DE CONFORMITATE CE</p> <p>Declarăm pe propria răspundere că acest produs este conform cu standardele sau documentele de standardizare EN60745, EN55014 și EN61000-3 și cu Directivele Consiliului 73/23/CEE, 89/336/CEE și 98/37/CE.</p> <p>Prezenta declarație se referă la produsul pe care este aplicat semnul CE.</p>
<p>Polski</p> <p>DEKLARACJA ZGODNOŚCI Z EC</p> <p>Oznajmiamy z całkowitą odpowiedzialnością, że produkt ten pozostaje w zgodzie ze standardami lub standardową formą dokumentów EN60745, EN55014 i EN61000-3 w zgodzie z Zasadami Rady 73/23/EEC 89/336/ EEC i 98/37/EC.</p> <p>To oświadczenie odnosi się do załączonego produktu z oznaczeniami CE.</p>	<p>Slovenščina</p> <p>EC DEKLARACIJA O SKLADNOSTI</p> <p>Po lastni odgovornosti objavljamo, da je izdelek v skladu s standardi ali standardiziranimi dokumenti EN60745, EN55014 in EN61000-3 v skladu z direktivami Sveta 73/23/EEC, 89/336/EEC in 98/37/EC.</p> <p>Deklaracija je označena na izdelku s pritrjeno CE označbo.</p>
<p>Magyar</p> <p>EU MEGFELELŐSÉGI NYILATKOZAT</p> <p>Teljes felelősségünk tudatában kijelentjük, hogy ez a termék megfelel az EN60745, EN55014, és EN 61000-3 szabványoknak illetve szabványosított dokumentumoknak, az Európa Tanács 73/23/EEC, 89/336/EEC, és 98/37/EC Tanácsi Direktíváival összhangban.</p> <p>Jelen nyilatkozat a terméken feltüntetett CE jelzésre vonatkzik.</p>	<p>Русский</p> <p>ДЕКЛАРАЦИЯ СООТВЕТСТВИЯ ЕС</p> <p>Мы с полной ответственностью заявляем, что данное изделие соответствует стандартам или стандартизованным документам EN60745, EN55014 и EN61000-3 согласно Директивам Совета 73/23/EEC, 89/336/EEC и 98/37/EC.</p> <p>Данная декларация относится к изделиям, на которых имеется маркировка CE.</p>
<p>Representative office in Europe Hitachi Power Tools Europe GmbH Siemensring 34, 47877 Willich 1, F. R. Germany</p> <p>Head office in Japan Hitachi Koki Co., Ltd. Shinagawa Intercity Tower A, 15-1, Konan 2-chome, Minato-ku, Tokyo, Japan</p> <p style="text-align: center;">CE</p> <p style="text-align: right;">29. 12. 2006</p> <p style="text-align: right;"><i>K. Kato</i></p> <p style="text-align: right;">K. Kato Board Director</p>	