

# HITACHI

**Drill**  
**Bohrmaschine**  
**Δραπάνο**  
**Wiertarka**  
**Fúrógép**  
**Vrtačka**  
**Matkap**  
**Электродрель**

**FD10VB · FD10SB**



Read through carefully and understand these instructions before use.

Diese Anleitung vor Benutzung des Werkzeugs sorgfältig durchlesen und verstehen.

Διαβάστε προσεκτικά και κατανοήσετε αυτές τις οδηγίες πριν τη χρήση.

Przed użytkowaniem należy dokładnie przeczytać niniejszą instrukcję i zrozumieć jej treść.

Használat előtt olvassa el figyelmesen a használati utasítást.

Před použitím si pečlivě přečtete tento návod a ujistěte se, že mu dobře rozumíte.

Aletti kullanmadan önce bu kılavuzu iyice okuyun ve talimatları anlayın.

Внимательно прочтите данную инструкцию по эксплуатации прежде чем пользоваться инструментом.



Handling instructions

Bedienungsanleitung

Οδηγίες χειρισμού

Instrukcja obsługi

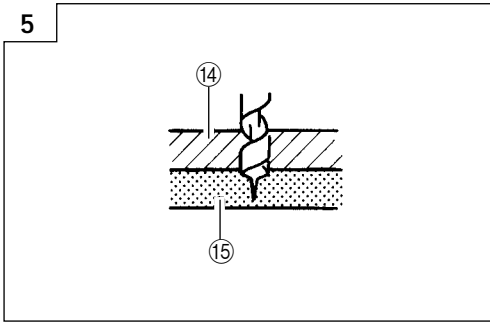
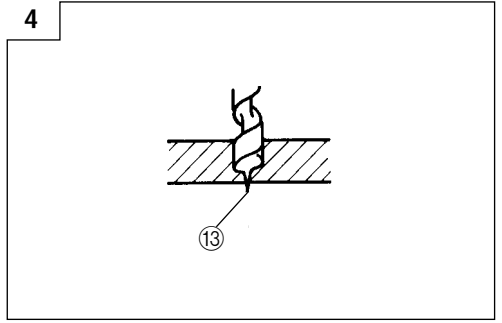
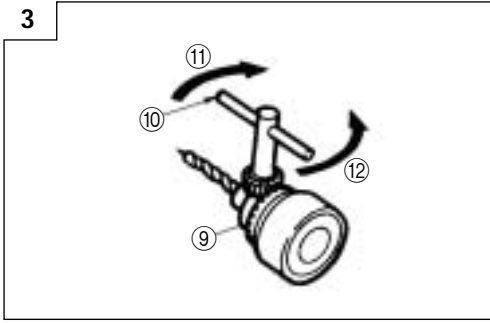
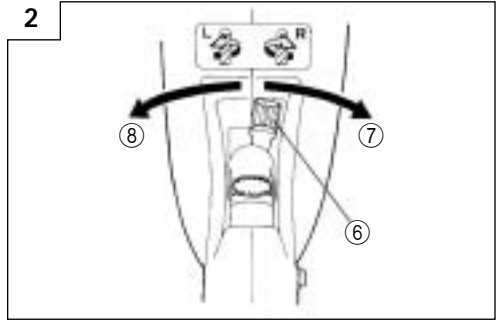
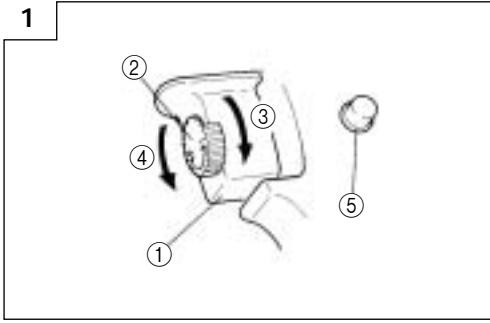
Kezelési utasítás

Návod k obsluze

Kullanım talimatları

Инструкция по эксплуатации

**Hitachi Koki**



	English	Deutsch	Ελληνικά	Polski
①	Trigger switch	Abzugsschalter	Σκανοδία λειτουργίας	Spust
②	Adjusting knob	Einstellknopf	Επιλογέας λειτουργίας	Pokrętko regulacji
③	High speed	Hohe Drehzahl	Υψηλή ταχύτητα	Duża prędkość
④	Low speed	Niedrige Drehzahl	Χαμηλή ταχύτητα	Mała prędkość
⑤	Stopper	Stopper	Στόπερ	Zatyczka
⑥	Lever	Hebel	Αναστροφέας περιστροφής	Dźwignia
⑦	Right (clockwise)	Rechts (im Uhrzeigersinn)	Δεξιά (δεξιόστροφη περιστροφή)	W prawo (zgodnie z ruchem wskazówek zegara)
⑧	Left (counterclockwise)	Links (entgegen dem Uhrzeigersinn)	Αριστερά (αριστερόστροφη περιστροφή)	W lewo (przeciwnie do ruchu wskazówek zegara)
⑨	Drill chuck	Bohrfutter	Σφικτήρας δραπάνου	Uchwyt wiertarski
⑩	Chuck wrench	Futterschlüssel	Κλειδί σφικτήρα	Klucz do uchwytu wiertarskiego
⑪	Tighten (clockwise)	Anziehen (im Uhrzeigersinn)	Σφίξτε (δεξιόστροφη περιστροφή)	Dokręcanie (zgodnie z ruchem wskazówek zegara)
⑫	Loosen (counterclockwise)	Lösen (entgegen dem Uhrzeigersinn)	Χαλαρώστε (αριστερόστροφη περιστροφή)	Luzowanie (przeciwnie do ruchu wskazówek zegara)
⑬	When the point appears, turn lumber over.	Wenn die Spitze sichtbar wird, drehen Sie das Holz.	Μόλις προβάλλει η μύτη του δραπάνου, γυρίστε την ξύλινη επιφάνεια από την άλλη πλευρά.	Gdy pojawi się wierzchołek wiertła, należy obrócić obrabiany materiał.
⑭	Lumber to be drilled	Holz, das gebohrt werden soll	Ξύλινη επιφάνεια προς διάτρηση	Obrabiany materiał drewniany
⑮	Extra lumber	Zusätzliches Holz	Πρόσθετη ξύλινη επιφάνεια	Dodatkowy kawałek drewna

	Magyar	Čeština	Türkçe	Русский
①	Kapcsoló	Vypínač	Anahtar Şalter	Переключатель спускового механизма
②	Beállítógomb	Seřizovací otočný ovládač	Ayar topuzu	Ручка настройки
③	Magas fordulatszám	Vysoké otáčky	Yüksek hız	Высокая скорость
④	Alacsony fordulatszám	Nízke otáčky	Düşük hız	Низкая скорость
⑤	Ütköző	Doraz	Durdurucu	Стопор
⑥	Kar	Páčka	Kol	Рычаг
⑦	Jobbra (az óramutató járásával megegyező irányba)	Doprava (ve směru chodu hodinových ručiček)	Sağ (saat yönünde)	Вправо (по часовой стрелке)
⑧	Balra (az óramutató járásával ellentétes irányba)	Doleva (proti směru chodu hodinových ručiček)	Sol (saat yönünün tersine)	Влево (против часовой стрелки)
⑨	Fúrótkmány	Sklíčidlo vrtáčky	Mandren	Зажимной патрон сверла
⑩	Tokmánykulcs	Klíč pro dotahování sklíčidla	Mandren ucu	Патронный гаечный ключ
⑪	Megszorítani (az óramutató járásával megegyező irányba)	Dotazení (ve směru chodu hodinových ručiček)	Sıkıştır (saat yönünde)	Затянуть (по часовой стрелке)
⑫	Meglazítani (az óramutató járásával ellentétes irányba)	Povolení (proti směru chodu hodinových ručiček)	Gevşet (saat yönünün tersine)	Ослабить (против часовой стрелки)
⑬	Amikor a pont láthatóvá válik, fordítsa meg a fűrészárut.	Když se objeví hrot, hranol dřeva obraťte.	Uç görününce tahtayı tersine çevirin.	При появлении точки переверните пиломатериал.
⑭	Fúrásra előkészített fűrészáru	Vrtaný hranol dřeva	Delinecek tahta	Пиломатериал для сверления
⑮	Extra fűrészáru	Další hranol dřeva	Ekstra destek tahtası	Дополнительный пиломатериал

---

**GENERAL SAFETY RULES**


---

**WARNING!****Read all instructions**

*Failure to follow all instructions listed below may result in electric shock, fire and/or serious injury.*

*The term "power tool" in all of the warnings listed below refers to your mains operated (corded) power tool or battery operated (cordless) power tool.*

**SAVE THESE INSTRUCTIONS****1) Work area**

- a) **Keep work area clean and well lit.**  
*Cluttered and dark areas invite accidents.*
- b) **Do not operate power tools in explosive atmospheres, such as in the presence of flammable liquids, gases or dust.**  
*Power tools create sparks which may ignite the dust of fumes.*
- c) **Keep children and bystanders away while operating a power tool.**  
*Distractions can cause you to lose control.*

**2) Electrical safety**

- a) **Power tool plugs must match the outlet.**  
Never modify the plug in any way.  
**Do not use any adapter plugs with earthed (grounded) power tools.**  
*Unmodified plugs and matching outlets will reduce risk of electric shock.*
- b) **Avoid body contact with earthed or grounded surfaces such as pipes, radiators, ranges and refrigerators.**  
*There is an increased risk of electric shock if your body is earthed or grounded.*
- c) **Do not expose power tools to rain or wet conditions.**  
*Water entering a power tool will increase the risk of electric shock.*
- d) **Do not abuse the cord.** Never use the cord for carrying, pulling or unplugging the power tool.  
Keep cord away from heat, oil, sharp edges or moving parts.  
*Damaged or entangled cords increase the risk of electric shock.*
- e) **When operating a power tool outdoors, use an extension cord suitable for outdoor use.**  
*Use of a cord suitable for outdoor use reduces the risk of electric shock.*

**3) Personal safety**

- a) **Stay alert, watch what you are doing and use common sense when operating a power tool.**  
Do not use a power tool while you are tired or under the influence of drugs, alcohol or medication.  
*A moment of inattention while operating power tools may result in serious personal injury.*
- b) **Use safety equipment.** Always wear eye protection.  
*Safety equipment such as dust mask, non-skid safety shoes, hard hat, or hearing protection used for appropriate conditions will reduce personal injuries.*
- c) **Avoid accidental starting.** Ensure the switch is in the off position before plugging in.  
*Carrying power tools with your finger on the switch or plugging in power tools that have the switch on invites accidents.*

- d) **Remove any adjusting key or wrench before turning the power tool on.**  
*A wrench or a key left attached to a rotating part of the power tool may result in personal injury.*

- e) **Do not overreach. Keep proper footing and balance at all times.**

*This enables better control of the power tool in unexpected situations.*

- f) **Dress properly. Do not wear loose clothing or jewellery. Keep your hair, clothing and gloves away from moving parts.**

*Loose clothes, jewellery or long hair can be caught in moving parts.*

- g) **If devices are provided for the connection of dust extraction and collection facilities, ensure these are connected and properly used.**

*Use of these devices can reduce dust related hazards.*

**4) Power tool use and care**

- a) **Do not force the power tool. Use the correct power tool for your application.**

*The correct power tool will do the job better and safer at the rate for which it was designed.*

- b) **Do not use the power tool if the switch does not turn it on and off.**

*Any power tool that cannot be controlled with the switch is dangerous and must be repaired.*

- c) **Disconnect the plug from the power source before making any adjustments, changing accessories, or storing power tools.**

*Such preventive safety measures reduce the risk of starting the power tool accidentally.*

- d) **Store idle power tools out of the reach of children and do not allow persons unfamiliar with the power tool or these instructions to operate the power tool.**

*Power tools are dangerous in the hands of untrained users.*

- e) **Maintain power tools.** Check for misalignment or binding of moving parts, breakage of parts and any other condition that may affect the power tools operation.

*If damaged, have the power tool repaired before use.*

*Many accidents are caused by poorly maintained power tools.*

- f) **Keep cutting tools sharp and clean.**

*Properly maintained cutting tools with sharp cutting edges are less likely to bind and are easier to control.*

- g) **Use the power tool, accessories and tool bits etc., in accordance with these instructions and in the manner intended for the particular type of power tool, taking into account the working conditions and the work to be performed.**

*Use of the power tool for operations different from intended could result in a hazardous situation.*

**5) Service**

- a) **Have your power tool serviced by a qualified repair person using only identical replacement parts.**

*This will ensure that the safety of the power tool is maintained.*

**PRECAUTION**

Keep children and infirm persons away.

When not in use, tools should be stored out of reach of children and infirm persons.

## PRECAUTIONS ON USING DRILL

1. When mounting the drill bit or driver bit, insert it fully into the drill chuck and completely tighten the drill chuck with the chuck wrench.  
If mounting is not done properly, it is very dangerous as the drill bit may slip or loosen during operation.
2. Do not wear gloves made of stuff liable to roll up such as cotton, wool, cloth or string, etc.

## SPECIFICATIONS

Model	FD10VB	FD10SB
Voltage (by areas)*	(110V, 115V, 120V, 127V, 220V, 230V, 240V) √	
Power input	420W*	
No load speed	0-2800 min <sup>-1</sup>	2800 min <sup>-1</sup>
Capacity	Steel	10 mm
	Wood	25 mm
Weight (without cord)	1.4 kg	

\* Be sure to check the nameplate on product as it is subject to change by areas.

## APPLICATIONS

1. **Drilling various materials**
  - Drilling metal  
Use a metal-working drill bit
  - Drilling wood  
Use a wood-working drill bit (However, a metal-working drill bit to make pilot holes for wood screws or holes smaller than 6.5mm.)
2. **Tightening wood screws (Only model FD10VB)**  
Use the driver bit. Use a Phillips screw for easy tightening.

## PRIOR TO OPERATION

1. **Power source**  
Ensure that the power source to be utilized conforms to the power requirements specified on the product nameplate.
2. **Power switch**  
Ensure that the power switch is in the OFF position. If the plug is connected to a receptacle while the power switch is in the ON position, the power tool will start operating immediately, inviting serious accident.
3. **Extension cord**  
When the work area is removed from the power source. Use an extension cord of sufficient thickness and rated capacity. The extension cord should be kept as short as practicable.
4. **Check the tightening of the drill chuck**  
The drill chuck has been tightened at the factory, but check again that it is in order before use. Turn the drill chuck clockwise to tighten.

## HOW TO USE

1. **Operation of switch**  
Pulling the trigger of switch and push the stopper, it keeps, the switched-on condition and it is

3. Do not touch the bit during or immediately after operation. The bit becomes very hot during operation and could cause serious burns.
4. When placing the drill on the floor, make sure that the drill has stopped completely.
5. Before drilling into a wall, floor or ceiling, thoroughly confirm that no items such as electric cables or conduits are buried inside.
6. When working in high position, take care of downward direction.

convenient for the continuous running. When switched off, the stopper can be disconnected by means of pulling the trigger again.

### 2. Adjustment of speed

[FD10SB]

The maximum speed can be obtained by pulling the trigger switch.

[FD10VB]

- (1) The speed is adjustable from zero to maximum speed according to the extent the trigger switch is pulled.
  - (2) The maximum speed is adjustable from zero to 2800 min<sup>-1</sup>. with the rotation of adjusting knob.
  - (3) Turn the adjusting knob clockwise for higher speed and counterclockwise for lower speed. (Rotate the adjusting knob approximately 1-2/3 turns.) (Fig. 1)
  - (4) The switch can be locked with the stopper at any required position irrespective as to how far the adjusting knob has been rotated. Select a proper position according to the required speed for each work.
3. **Confirm the direction of bit rotation (Fig. 2)**  
The bit rotates clockwise (viewed from the rear side) by pushing the R-side of the reversing switch lever. The L-side of the lever is pushed to turn the bit counterclockwise.

### CAUTION:

Never change the direction of bit rotation during operating.

Turn the power switch OFF before changing the direction of bit rotation.

### 4. For use as a drill

- (1) Mounting drill bit

Tighten drill bit with the chuck wrench. There are three holes in which the chuck wrench should be inserted. Tighten them equally in turn at three holes, without tightening them only at one hole. The drill bit can be removed in the opposite method as mentioned above. (Fig. 3)

**(2) How to drill****① To use for drilling lumber**

- Apply the point of the drill bit to the desired drilling position, hold the drill perpendicular to the workpiece surface and turn on the switch.
- When drilling a through hole in lumber, remove the drill from the material as soon as the tip of the drill bit protrudes from the opposite surface. Then, turn the workpiece over and complete the drilling from the opposite side to obtain a clean hole. (Fig. 4)  
If extra lumber is applied under the lumber you want to drill and it is drilled together, a fine hole will also be made. (Fig. 5)
- A wood-working drill need not be pressed strongly since it penetrates using the screw at the point. Even if excessive force is used, a hole will not be made quickly.

**② To use for drilling metal**

- In case you drill metal with a metal-working drill, apply in advance a center punch in the drilling position. You can drill metal stably since the point of the drill does not slip.
- If you apply sewing machine oil or soapy water to the drill with a brush or an old tooth brush, the drill will last long.
- Even if more-than-necessary force is used, a hole will not be made quickly.  
On the contrary, the edge of the drill will be damaged. This will decrease operational efficiency and shorten the life of this tool.

**CAUTION:**

Do not expose the motor to water as it may cause motor malfunction and electric shock.

**5. To use the driving wood screws (FD10VB)****(1) Driver bit**

- For driving a slotted head wood screw, the driver bit detaches easily. So use cross-recessed head wood screws as often as possible.
- Select a driver bit matching the cross-recessed and the slotted groove of the wood screw.

**(2) Pilot hole**

If a pilot hole is made with a drill a little smaller than the diameter of the wood screw, the lumber will not be split and the wood screw will be driven with ease.

**(3) Driving operation**

Put the wood screw lightly in the pilot hole, apply the bit to the screw head groove, turn on the switch and drive the screw.

**6. Caution to be taken immediately after operation**

When placing the drill in dusty places before the rotating parts has stopped completely, make sure the machine does not suck in dust and swarf.

**2. Inspecting the mounting screws**

Regularly inspect all mounting screws and ensure that they are properly tightened. Should any of the screws be loose, retighten them immediately. Failure to do so could result in serious hazard.

**3. Servicing**

Consult a Hitachi Authorized Service Center in the event of power tool failure.

**4. Service parts list**

- A: Item No.
- B: Code No.
- C: No. Used
- D: Remarks

**CAUTION**

Repair, modification and inspection of Hitachi Power Tools must be carried out by a Hitachi Authorized Service Center.

This Parts List will be helpful if presented with the tool to the Hitachi Authorized Service Center when requesting repair or other maintenance.

In the operation and maintenance of power tools, the safety regulations and standards prescribed in each country must be observed.

**MODIFICATION**

Hitachi Power Tools are constantly being improved and modified to incorporate the latest technological advancements.

Accordingly, some parts (i.e. code numbers and/or design) may be changed without prior notice.

---

**GUARANTEE**

We guarantee Hitachi Power Tools in accordance with statutory/country specific regulation. This guarantee does not cover defects or damage due to misuse, abuse, or normal wear and tear. In case of complaint, please send the Power Tool, undismantled, with the GUARANTEE CERTIFICATE found at the end of this Handling instruction, to a Hitachi Authorized Service Center.

---

**NOTE**

Due to HITACHI's continuing program of research and development, the specifications herein are subject to change without prior notice.

---

---

**MAINTENANCE AND INSPECTION****CAUTION**

Be sure to switch power OFF and disconnect the plug during maintenance and inspection.

**1. Inspecting the drill bits and driver bit**

Since use of an abraded drill bit will cause motor malfunctioning and degraded efficiency, replace the drill bit with a new one or sharpening without delay when abrasion is noted. If you use a driver bit of which point is worn or broken, it will be dangerous since it slips. So replace it with a new one.

## ALLGEMEINE SICHERHEITSMASSNAHMEN

### WARNUNG!

#### Lesen Sie sämtliche Hinweise durch

*Wenn nicht sämtliche nachstehenden Anweisungen befolgt werden, kann es zu Stromschlag, Brand und/oder ernsthaften Verletzungen kommen.*

*Der Begriff „Elektrowerkzeug“ bezieht sich in den folgenden Warnhinweisen auf Elektrowerkzeuge mit Netz- (schnurgebunden) oder Akkubetrieb (schnurlos).*

### BEWAHREN SIE DIESE ANWEISUNGEN AUF

#### 1) Arbeitsbereich

- a) Sorgen Sie für einen sauberen und gut ausgeleuchteten Arbeitsbereich.  
*Zugestellte und dunkle Bereiche ziehen Unfälle förmlich an.*
- b) Verwenden Sie Elektrowerkzeuge niemals an Orten, an denen Explosionsgefahr besteht – zum Beispiel in der Nähe von leicht entflammaren Flüssigkeiten, Gasen oder Stäuben.  
*Bei der Arbeit mit Elektrowerkzeugen kann es zu Funkenbildung kommen, wodurch sich Stäube oder Dämpfe entzünden können.*
- c) Sorgen Sie bei der Arbeit mit Elektrowerkzeugen dafür, dass sich keine Zuschauer (insbesondere Kinder) in der Nähe befinden.  
*Wenn Sie abgelenkt werden, können Sie die Kontrolle über das Werkzeug verlieren.*

#### 2) Elektrische Sicherheit

- a) Elektrowerkzeuge müssen mit passender Stromversorgung betrieben werden.  
Nehmen Sie niemals irgendwelche Änderungen am Anschlussstecker vor.  
Verwenden Sie bei Elektrowerkzeugen mit Schutzkontakt (geerdet) niemals Adapterstecker.  
Stecker im Originalzustand und passende Steckdosen reduzieren das Stromschlagrisiko.
- b) Vermeiden Sie Körperkontakt mit geerdeten Gegenständen wie Rohrleitungen, Heizungen, Herden oder Kühlschränken.  
*Bei Körperkontakt mit geerdeten Gegenständen besteht ein erhöhtes Stromschlagrisiko.*
- c) Setzen Sie Elektrowerkzeuge niemals Regen oder sonstiger Feuchtigkeit aus.  
*Wenn Flüssigkeiten in ein Elektrowerkzeug eindringen, erhöht sich das Stromschlagrisiko.*
- d) Verwenden Sie die Anschlusschnur nicht missbräuchlich. Tragen Sie das Elektrowerkzeug niemals an der Anschlusschnur, ziehen Sie es nicht damit heran und ziehen Sie den Stecker nicht an der Anschlusschnur aus der Steckdose. Halten Sie die Anschlusschnur von Hitzequellen, Öl, scharfen Kanten und beweglichen Teilen fern.  
*Beschädigte oder verdrehte Anschlusschnüre erhöhen das Stromschlagrisiko.*
- e) Wenn Sie ein Elektrowerkzeug im Freien benutzen, verwenden Sie ein für den Außeneinsatz geeignetes Verlängerungskabel.  
*Ein für den Außeneinsatz geeignetes Kabel vermindert das Stromschlagrisiko.*

#### 3) Persönliche Sicherheit

- a) Bleiben Sie wachsam, achten Sie auf das, was Sie tun, und setzen Sie Ihren Verstand ein, wenn Sie mit Elektrowerkzeugen arbeiten.

**Benutzen Sie keine Elektrowerkzeuge, wenn Sie müde sind oder unter Einfluss von Drogen, Alkohol oder Medikamenten stehen.**

*Bei der Arbeit mit Elektrowerkzeugen können bereits kurze Phasen der Unaufmerksamkeit zu schweren Verletzungen führen.*

- b) **Benutzen Sie Schutzausrüstung. Tragen Sie immer einen Augenschutz.**  
*Schutzausrüstung wie Staubmaske, rutschsichere Sicherheitsschuhe, Schutzhelm und Gehörschutz senken das Verletzungsrisiko bei angemessenem Einsatz.*
- c) **Vermeiden Sie unbeabsichtigten Anlauf. Achten Sie darauf, dass sich der Schalter in der Aus-(Off-) Position befindet, ehe Sie den Stecker einstecken.**  
*Das Herumtragen von Elektrowerkzeugen mit dem Finger am Schalter und das Einstecken des Steckers bei betätigtem Schalter zieht Unfälle regelrecht an.*
- d) **Entfernen Sie sämtliche Einstellwerkzeuge (Einstellschlüssel), ehe Sie das Elektrowerkzeug einschalten.**  
*Ein an einem beweglichen Teil des Elektrowerkzeugs angebrachter Schlüssel kann zu Verletzungen führen.*
- e) **Sorgen Sie für einen festen Stand. Achten Sie jederzeit darauf, sicher zu stehen und das Gleichgewicht zu bewahren.**  
*Dadurch haben Sie das Elektrowerkzeug in unerwarteten Situationen besser im Griff.*
- f) **Kleiden Sie sich richtig. Tragen Sie keine lose Kleidung oder Schmuck. Halten Sie Haar, Kleidung und Handschuhe von beweglichen Teilen fern.**  
*Lose Kleidung, Schmuck oder langes Haar kann von beweglichen Teilen erfasst werden.*
- g) **Wenn Anschlüsse für Staubabsaug- und -sammelvorrichtungen vorhanden sind, sorgen Sie dafür, dass diese richtig angeschlossen und eingesetzt werden.**  
*Die Verwendung solcher Vorrichtungen kann Staub-bezogene Gefahren mindern.*
- 4) **Einsatz und Pflege von Elektrowerkzeugen**
  - a) **Überansprechen Sie Elektrowerkzeuge nicht. Benutzen Sie das richtige Elektrowerkzeug für Ihren Einsatzzweck.**  
*Das richtige Elektrowerkzeug erledigt seine Arbeit bei bestimmungsgemäßem Einsatz besser und sicherer.*
  - b) **Benutzen Sie das Elektrowerkzeug nicht, wenn es sich nicht am Schalter ein- und ausschalten lässt.**  
*Jedes Elektrowerkzeug, das nicht mit dem Schalter betätigt werden kann, stellt eine Gefahr dar und muss repariert werden.*
  - c) **Ziehen Sie den Netzstecker, ehe Sie Einstellarbeiten vornehmen, Zubehörteile tauschen oder das Elektrowerkzeug verstauen.**  
*Solche präventiven Sicherheitsmaßnahmen verhindern den unbeabsichtigten Anlauf des Elektrowerkzeugs und die damit verbundenen Gefahren.*

- d) Lagern Sie nicht benutzte Elektrowerkzeuge außerhalb der Reichweite von Kindern, lassen Sie nicht zu, dass Personen das Elektrowerkzeug bedienen, die nicht mit dem Werkzeug selbst und/oder diesen Anweisungen vertraut sind. *Elektrowerkzeuge in ungeschulten Händen sind gefährlich.*
  - e) Halten Sie Elektrowerkzeuge in Stand. Prüfen Sie auf Fehlausrichtungen, sicheren Halt und Leichtgängigkeit beweglicher Teile, Beschädigungen von Teilen und auf jegliche andere Zustände, die sich auf den Betrieb des Elektrowerkzeugs auswirken können. *Bei Beschädigungen lassen Sie das Elektrowerkzeug reparieren, ehe Sie es benutzen. Viele Unfälle mit Elektrowerkzeugen sind auf schlechte Wartung zurückzuführen.*
  - f) Halten Sie Schneidwerkzeuge scharf und sauber. *Richtig gewartete Schneidwerkzeuge mit scharfen Schneidkanten bleiben weniger häufig hängen und sind einfacher zu beherrschen.*
  - g) Benutzen Sie Elektrowerkzeuge, Zubehör, Werkzeugspitzen und Ähnliches in Übereinstimmung mit diesen Anweisungen und auf die für das jeweilige Elektrowerkzeug bestimmungsgemäße Weise - beachten Sie dabei die jeweiligen Arbeitsbedingungen und die Art und Weise der auszuführenden Arbeiten. *Der bestimmungswidrige Einsatz von Elektrowerkzeugen kann zu gefährlichen Situationen führen.*
- 5) Service
- a) Lassen Sie Elektrowerkzeuge durch qualifizierte Fachkräfte und unter Einsatz passender, zugelassener Originalteile warten.

*Dies sorgt dafür, dass die Sicherheit des Elektrowerkzeugs nicht beeinträchtigt wird.*

**VORSICHT**

**Von Kindern und gebrechlichen Personen fernhalten. Werkzeuge sollten bei Nichtgebrauch außerhalb der Reichweite von Kindern und gebrechlichen Personen aufbewahrt werden.**

**VORSICHTSMASSNAHMEN FÜR DIE BENUTZUNG BOHRMASCHINE**

1. Achten Sie bei der Montage des Bohrers oder Treibers darauf, dass diese vollständig in das Bohrfutter eingeführt werden, und ziehen Sie das Bohrfutter mit dem Futterschlüssel vollständig fest. Wenn die Montage nicht ordnungsgemäß durchgeführt wird, besteht die Gefahr, dass der Bohrer während des Arbeitsgangs ausgleitet oder sich lockert.
2. Tragen Sie keine Handschuhe aus Stoff, der zum Aufrollen neigt, wie z.B. Baumwolle, Wolle, Leinen usw.
3. Vermeiden Sie eine Berührung des Bohrers während oder kurz nach Beendigung des Arbeitsgangs. Während des Bohrvorgangs erhitzt sich der Bohrer und es besteht daher die Gefahr von Verbrennungen.
4. Wenn Sie den Bohrer am Boden ablegen, stellen Sie sicher, dass dieser sich nicht mehr dreht.
5. Beim Bohren in Wänden, Böden oder Decken ist sorgfältig zu prüfen, ob sich elektrische Leitungen darunter verbergen.
6. Wenn Sie in großer Höhe arbeiten, achten Sie auf die Abwärtsrichtung.

**TECHNISCHE DATEN**

Modell	FD10VB		FD10SB
Spannung (nach Bereichen)*	(110V, 115V, 120V, 127V, 220V, 230V, 240V) ~		
Leistungsaufnahme	420W*		
Leerlaufdrehzahl	0-2800 min <sup>-1</sup>	2800 min <sup>-1</sup>	
Kapazität	Stahl	10 mm	
	Holz	25 mm	
Gewicht (ohne Kabel)	1,4 kg		

\*Überprüfen Sie das Typenschild am Erzeugnis, da Änderungen je nach Bereich jederzeit vorbehalten bleiben.

**ANWENDUNGEN**

1. **Bohren von verschiedenen Materialien**
  - Bohren von Metall  
Verwenden Sie einen Metallbohrer
  - Bohren von Holz  
Verwenden Sie einen Holzbohrer (verwenden Sie jedoch einen Metallbohrer, um Führungslöcher für Holzschrauben oder Löcher kleiner 6,5 mm zu bohren).
2. **Ziehen Sie die Holzschrauben an (nur Modell FD10VB)**  
Verwenden Sie den Bohrer. Eine Philips Schraube eignet sich für ein einfaches Festspannen.

**VOR INBETRIEBNAHME**

1. **Netzspannung**  
Prüfen, daß die zu verwendende Netzspannung der Angabe auf dem Typenschild entspricht.
2. **Netzschalter**  
Prüfen, daß der Netzschalter auf "AUS" steht. Wenn der Stecker an das Netz angeschlossen ist, Während der Schalter auf "EIN" steht, beginnt das Werkzeug sofort zu laufen und bedeutet ernsthafte Gefahr.
3. **Verlängerungskabel**  
Wenn der Arbeitsbereich nicht in der Nähe des Netzanschlusses liegt, ist ein Verlängerungskabel ausreichenden Querschnitts und ausreichender Nennleistung zu verwenden. Das Verlängerungskabel sollte so kurz wie möglich gehalten werden.



## 4. Prüfen Sie, ob das Bohrfutter fest sitzt

Das Bohrfutter wird werksseitig festgezogen, dennoch sollte dies vor Gebrauch geprüft werden. Drehen Sie das Bohrfutter im Uhrzeigersinn, um es festzuziehen.

---

## GEBRAUCHSANLEITUNG

---

### 1. Bedienung des Schalters

Ziehen Sie den Abzugsschalter und drücken Sie den Stopper. Dadurch bleibt die Maschine eingeschaltet und garantiert einen reibungslosen Gebrauch. Ist die Maschine ausgeschaltet, kann der Stopper abgenommen werden, indem der Abzug erneut gezogen wird.

### 2. Anpassen der Geschwindigkeit

[FD10SB]

Ziehen Sie den Abzugsschalter, um die Maschine mit maximaler Geschwindigkeit zu bedienen.

[FD10VB]

- (1) Die Geschwindigkeit kann von Null bis Maximalgeschwindigkeit eingestellt werden, je nachdem, wie weit der Abzugsschalter gezogen wird.
- (2) Die maximale Geschwindigkeit kann zwischen Null und  $2800 \text{ min}^{-1}$  durch Drehen des Einstellknopfes eingestellt werden.
- (3) Wenn Sie die Geschwindigkeit erhöhen möchten, drehen Sie den Einstellknopf im Uhrzeigersinn. Für eine geringere Geschwindigkeit, drehen Sie den Einstellknopf entgegen dem Uhrzeigersinn. (Drehen Sie den Einstellknopf um ungefähr 1–2/3 Umdrehungen.) (Abb. 1)
- (4) Der Schalter kann mit Hilfe des Stoppers in beliebiger Position blockiert werden, unabhängig davon, wie weit der Einstellknopf gedreht wurde. Wählen Sie die passende Geschwindigkeit entsprechend der zu erledigenden Arbeiten.

### 3. Bestätigen Sie die Bohrrichtung (Abb. 2)

Drücken Sie den Hebel des Schalters auf die rechte Seite, damit sich der Bohrer im Uhrzeigersinn dreht (von hinten betrachtet). Wird eine Drehung entgegen dem Uhrzeigersinn gewünscht, drücken Sie den Hebel nach links.

#### ACHTUNG:

Ändern Sie die Bohrrichtung niemals während des Betriebs.

Schalten Sie vor einer Änderung der Bohrrichtung die Maschine AUS.

### 4. Bei Verwendung als Bohrer

#### (1) Montage des Bohrers

Ziehen Sie den Bohrer mit dem Futterschlüssel fest. Für das Einführen des Futterschlüssels stehen drei Löcher zur Verfügung. Ziehen Sie die Schlüssel abwechselnd in diesen drei Löchern fest, und verhindern Sie ein vorzeitiges Festziehen an nur einem Loch. Für das Entfernen des Bohrers ist in umgekehrter Reihenfolge vorzugehen. (Abb. 3)

#### (2) Bohren

##### ① Bohren von Holz

- Bringen Sie die Bohrspitze an die gewünschte Bohrposition, halten Sie den Bohrer senkrecht zur Werkstückoberfläche und schalten Sie die Maschine ein.
- Wenn Sie ein Loch in Holz bohren möchten, entnehmen Sie den Bohrer aus dem Material, sobald die Bohrspitze aus der gegenüber

liegenden Oberfläche hervorsteht. Drehen Sie dann das Werkstück um, und beenden Sie den Bohrvorgang von der gegenüber liegenden Seite. So erhalten Sie ein sauberes Bohrloch. (Abb. 4) Wenn Sie das zu bohrende Holz mit zusätzlichem Holz unterlegen, erhalten Sie ebenfalls ein sauberes Loch. (Abb. 5)-

- Für die Arbeit mit einem Holzbohrer ist kein Kraftaufwand erforderlich, da die Schraube an der Spitze eingetrieben wird. Selbst bei starkem Kraftaufwand wird das Loch nicht schneller gebohrt.
- ② Bohren von Metall
- Beim Bohren von Metall mit Hilfe eines Metallbohrers ist im Voraus ein Mittelloch in der Bohrposition anzubringen. Das Metall kann beständig gebohrt werden, da der Bohrer nicht verrutscht.
  - Durch Auftragen von etwas Nähmaschinenöl oder Seifenwasser auf den Bohrer, mit Hilfe einer Bürste oder einer alten Zahnbürste, kann die Lebenszeit des Bohrers verlängert werden.
  - Selbst bei übermäßigem Kraftaufwand wird das Loch nicht schneller gebohrt. Im Gegenteil, dies kann zu Beschädigungen der Bohreranteile führen. Dadurch wird die Effizienz und die Lebenszeit des Werkzeugs geschmälert.

#### ACHTUNG:

Vermeiden Sie es, den Motor mit Wasser in Verbindung zu bringen, da dies zu einer Störung oder einem elektrischen Schlag führen kann.

### 5. Verwendung von Holzschrauben (FD10VB)

#### (1) Treiber

- Für das Eintreiben einer geschlitzten Holzkopfschraube, kann der Treiber leicht abgenommen werden. Verwenden Sie also so oft als möglich Kreuzschlitzschrauben aus Holz.
- Wählen Sie einen Bohrer aus, der auf die Kreuzschlitzschrauben und die geschlitzte Kerbe der Holzschraube abgestimmt ist.

#### (2) Führungsloch

Wird für das Führungsloch ein Bohrer verwendet, dessen Durchmesser kleiner ist als der der Holzschraube, kann eine Splitterung des Holzes vermieden werden und die Holzschraube kann leicht eingetrieben werden.

#### (3) Eintreiben

Führen Sie die Holzschraube etwas in das Führungsloch ein, legen Sie den Bohrer an der Kerbe der Kopfschraube an, schalten Sie das Gerät ein und treiben Sie die Schraube ein.

### 6. Nach Beendigung des Bohrvorgangs ist Vorsicht geboten

Wird der Bohrer an staubigen Plätzen abgelegt, bevor die rotierenden Teile komplett zum Stillstand gekommen sind, kann es sein, dass Staub und Späne vom Bohrer angesaugt werden.

---

## WARTUNG UND INSPEKTION

---

#### ACHTUNG

Achten Sie darauf, dass die Bohrmaschine während der Wartung und Inspektion AUSGESCHALTET ist.

#### 1. Inspektion der Bohrer und Treiber

Da ein abgenutzter Bohrer eine Fehlfunktion des Motors und eine verringerte Wirksamkeit verursacht, sollten Sie den Bohrer sofort schärfen oder durch einen neuen Bohrer ersetzen, wenn Verschleiß

festgestellt wird. Eine abgenutzte oder beschädigte Bohrerspitze ist gefährlich, da diese verrutschen kann. Ersetzen Sie in diesem Fall die abgenutzte Bohrerspitze durch eine neue.

#### 2. Inspektion der Befestigungsschraube

Alle Befestigungsschrauben werden regelmäßig inspiziert und geprüft, daß sie richtig angezogen sind. Wenn sich eine der Schrauben lockert, muß sie sofort wieder angezogen werden. Geschieht das nicht, kann das zu erheblicher Gefahr führen.

#### 3. Instandhaltung

Im Falle eines Versagens ein Autorisiertes Hitachi-Wartungszentrum zu Rate ziehen.

#### 4. Liste der Wartungsteile

A : Punkt Nr.

B : Code Nr.

C : Verwendete Anzahl

D : Bemerkungen

#### ACHTUNG:

Reparatur, Modifikation und Inspektion von Hitachi-Elektrowerkzeugen müssen durch ein Autorisiertes Hitachi-Wartungszentrum durchgeführt werden.

Diese Teileliste ist hilfreich, wenn sie dem Autorisierten Hitachi-Wartungszentrum zusammen mit dem Werkzeug für Reparatur oder Wartung ausgehändigt wird.

Bei Betrieb und Wartung von Elektrowerkzeugen müssen die Sicherheitsvorschriften und Normen beachtet werden.

#### MODIFIKATIONEN:

Hitachi-Elektrowerkzeuge werden fortwährend verbessert und modifiziert, um die neuesten technischen Fortschritte einzubauen.

Dementsprechend ist es möglich, daß einige Teile (z.B. Codenummern bzw. Entwurf) ohne vorherige Benachrichtigung geändert werden.

---

## GARANTIE

---

Auf Hitachi-Elektrowerkzeuge gewähren wir eine Garantie unter Zugrundelegung der jeweils geltenden gesetzlichen und landesspezifischen Bedingungen. Dieses Garantie erstreckt sich nicht auf Gehäusedefekte und nicht auf Schäden, die auf Missbrauch, bestimmungswidrigen Einsatz oder normalen Verschleiß zurückzuführen sind. Im Schadensfall senden Sie das nicht zerlegte Elektrowerkzeug zusammen mit dem GARANTIESCHEIN, den Sie am Ende der Bedienungsanleitung finden, an ein von Hitachi autorisiertes Servicecenter.

---

## ANMERKUNG

---

Aufgrund des ständigen Forschungs - und Entwicklungsprogramms von HITACHI sind Änderungen der hierin gemachten technischen Angaben vorbehalten.

---

## ΓΕΝΙΚΑ ΜΕΤΡΑ ΑΣΦΑΛΕΙΑΣ

### ΠΡΟΣΟΧΗ!

#### Διαβάστε όλες τις οδηγίες

Αν δεν τηρηθούν όλες οι οδηγίες που αναφέρονται παρακάτω, ενδέχεται να προκληθεί ηλεκτροπληξία, πυρκαγιά ή/και σοβαρός τραυματισμός.

Ο όρος “ηλεκτρικό εργαλείο” σε όλες τις προειδοποιήσεις που αναφέρονται παρακάτω αναφέρεται στο ηλεκτρικό εργαλείο που λειτουργεί με το ρεύμα του ηλεκτρικού δικτύου (με καλώδιο) ή στο ηλεκτρικό εργαλείο που λειτουργεί με μπαταρία (χωρίς καλώδιο).

### ΦΥΛΑΞΤΕ ΑΥΤΕΣ ΤΙΣ ΟΔΗΓΙΕΣ

#### 1) Χώρος εργασίας

- Διατηρείτε το χώρο εργασίας καθαρό και καλά φωτισμένο.**  
Οι ακατάστατοι και οι σκοτεινοί χώροι έχουν την τάση να προκαλούν ατυχήματα.
- Μη χρησιμοποιείτε τα ηλεκτρικά εργαλεία σε εκρηκτικές ατμόσφαιρες, όπως όταν είναι παρόντα εύφλεκτα υγρά, αέρια ή σκόνη.**  
Τα ηλεκτρικά εργαλεία δημιουργούν σπινθήρες οι οποίοι ενδέχεται να προκαλέσουν την ανάφλεξη αυτών των υλικών.
- Κρατήστε τα παιδιά και τους παρευρισκόμενους μακριά όταν χρησιμοποιείτε ένα ηλεκτρικό εργαλείο.**  
Αν αποσπαστεί η προσοχή σας, υπάρχει κίνδυνος να χάσετε τον έλεγχο.

#### 2) Ηλεκτρική ασφάλεια

- Τα φως των ηλεκτρικών εργαλείων πρέπει να είναι κατάλληλα για τις πρίζες.**  
Μην τροποποιήσετε ποτέ το φως με οποιονδήποτε τρόπο.  
**Μη χρησιμοποιείτε φως προσαρμογής με γειωμένα ηλεκτρικά εργαλεία.**  
Τα μη τροποποιημένα φως και οι κατάλληλες πρίζες μειώνουν τον κίνδυνο ηλεκτροπληξίας.
- Αποφύγετε τη σωματική επαφή με γειωμένες επιφάνειες όπως σωλήνες, θερμάστρες, μαγειρικές συσκευές και ψυγεία.**  
Υπάρχει αυξημένος κίνδυνος ηλεκτροπληξίας όταν το σώμα σας είναι γειωμένο.
- Μην εκθέτετε τα ηλεκτρικά εργαλεία στη βροχή ή σε συνθήκες υγρασίας.**  
Το νερό που εισέρχεται σε ένα ηλεκτρικό εργαλείο αυξάνει τον κίνδυνο ηλεκτροπληξίας.
- Μην ασκείτε δύναμη στο καλώδιο. Μη χρησιμοποιείτε ποτέ το καλώδιο για να μεταφέρετε, να τραβήξετε ή να βγάλετε από την πρίζα το ηλεκτρικό εργαλείο.**  
**Κρατήστε το καλώδιο μακριά από θερμότητα, λάδι, κοφτερές γωνίες και κινούμενα μέρη.**  
Τα κατεστραμμένα ή μπερδεμένα καλώδια αυξάνουν τον κίνδυνο ηλεκτροπληξίας.
- Όταν χρησιμοποιείτε το εργαλείο σε εξωτερικό χώρο, χρησιμοποιήστε καλώδιο προέκτασης που προορίζεται για χρήση σε εξωτερικό χώρο.**  
Η χρήση ενός καλωδίου κατάλληλου για εξωτερικό χώρο μειώνει τον κίνδυνο ηλεκτροπληξίας.

#### 3) Προσωπική ασφάλεια

- Να είστε σε ετοιμότητα, να βλέπετε αυτό που κάνετε και να χρησιμοποιείτε την κοινή λογική όταν χρησιμοποιείτε ένα ηλεκτρικό εργαλείο.**  
**Μη χρησιμοποιείτε ηλεκτρικά εργαλεία όταν είστε κουρασμένοι ή υπό την επίδραση ναρκωτικών ουσιών, οινοπνεύματος ή φαρμάκων.**  
Μια στιγμή απροσεξίας κατά τη χρήση ενός ηλεκτρικού εργαλείου μπορεί να προκαλέσει σοβαρό προσωπικό τραυματισμό.
- Χρησιμοποιείτε εξοπλισμό ασφαλείας, Να φοράτε πάντοτε προστατευτικά γυαλιά για τα μάτια.**  
**Να δεσμάζετε ότι ο διακόπτης είναι στην κλειστή θέση (off) πριν τοποθετήσετε το φως στην πρίζα.**  
Η μεταφορά ηλεκτρικών εργαλείων με το δάχτυλο στο διακόπτη λειτουργίας ή η σύνδεση ηλεκτρικών εργαλείων στο ρεύμα με το διακόπτη ανοιχτό αυξάνει τις πιθανότητες ατυχήματος.
- Να αποφεύγετε την κατά λάθος έναρξη λειτουργίας. Να δεσμάζετε ότι ο διακόπτης είναι στην κλειστή θέση (off) πριν τοποθετήσετε το φως στην πρίζα.**  
Η μεταφορά ηλεκτρικών εργαλείων με το δάχτυλο στο διακόπτη λειτουργίας ή η σύνδεση ηλεκτρικών εργαλείων στο ρεύμα με το διακόπτη ανοιχτό αυξάνει τις πιθανότητες ατυχήματος.
- Να αφαιρείτε τυχόν κλειδιά ρυθμιζόμενου ανοιγμού ή τα απλά κλειδιά πριν θέσετε σε λειτουργία το ηλεκτρικό εργαλείο.**  
Ένα απλό κλειδί ή ένα κλειδί ρυθμιζόμενου ανοιγμού που είναι προσαρτημένο σε περιστρεφόμενο εξάρτημα του ηλεκτρικού εργαλείου μπορεί να προκαλέσει προσωπικό τραυματισμό.
- Μην τεντώνετε. Να διατηρείτε πάντοτε το κατάλληλο πάτημα και την ισορροπία σας.**  
Με αυτόν τον τρόπο μπορείτε να ελέγχετε καλύτερα το ηλεκτρικό εργαλείο σε μη αναμενόμενες καταστάσεις.
- Να είστε ντυμένοι κατάλληλα. Μη φοράτε φαρδιά ρούχα ή κοσμήματα. Να κρατάτε τα μαλλιά σας, τα ρούχα σας και τα γάντια σας μακριά από κινούμενα μέρη.**  
Τα φαρδιά ρούχα, τα κοσμήματα και τα μακριά μαλλιά μπορεί να πιαστούν σε κινούμενα μέρη.
- Αν παρέχονται εξάρτηματα για τη σύνδεση συσκευών εξαγωγής και συλλογής σκόνης, να βεβαιώνετε ότι είναι συνδεδεμένα και χρησιμοποιούνται με το σωστό τρόπο.**  
Η χρήση αυτών των συσκευών μπορεί να μειώσει τους κινδύνους που σχετίζονται με τη σκόνη.

#### 4) Χρήση και φροντίδα ηλεκτρικών εργαλείων

- Μην ασκείτε δύναμη στο ηλεκτρικό εργαλείο. Να χρησιμοποιείτε το ηλεκτρικό εργαλείο που είναι κατάλληλο για το είδος της εργασίας που εκτελείτε.**  
Το κατάλληλο ηλεκτρικό εργαλείο θα εκτελέσει την εργασία καλύτερα και με μεγαλύτερη ασφάλεια με τον τρόπο που σχεδιάστηκε.
- Μη χρησιμοποιήσετε το ηλεκτρικό εργαλείο αν ο διακόπτης λειτουργίας δεν ανοίγει και δεν κλείνει.**  
Ένα ηλεκτρικό εργαλείο που δεν ελέγχεται από το διακόπτη λειτουργίας είναι επικίνδυνο και πρέπει να επισκευαστεί.
- Βγάλετε το φως από την πρίζα πριν κάνετε οποιοδήποτε ρυθμίσεις, αλλάξτε εξάρτηματα ή αποθηκεύσετε το ηλεκτρικό εργαλείο.**

Αυτά τα προληπτικά μέτρα ασφαλείας μειώνουν τον κίνδυνο να ξεκινήσει το ηλεκτρικό εργαλείο κατά λάθος.

- d) **Αποθκείψτε τα εργαλεία που δεν χρησιμοποιείτε μακριά από παιδιά και μην αφήνετε τα άτομα που δεν είναι εξοικειωμένα με το ηλεκτρικό εργαλείο ή με αυτές τις οδηγίες να χρησιμοποιούν το ηλεκτρικό εργαλείο.**

Τα ηλεκτρικά εργαλεία είναι επικίνδυνα στα χέρια μη εκπαιδευμένων ατόμων.

- e) **Συντηρείτε τα ηλεκτρικά εργαλεία. Να ελέγχετε την ευθυγράμμιση τους ή το μπλοκάρισμα των κινούμενων μερών, τη θραύση των εξαρτημάτων και οποιαδήποτε άλλη κατάσταση που ενδέχεται να επηρεάσει τη λειτουργία του ηλεκτρικού εργαλείου. Σε περίπτωση βλάβης, το ηλεκτρικό εργαλείο πρέπει να επισκευαστεί πριν χρησιμοποιηθεί.**

Πολλά ατυχήματα προκαλούνται από ηλεκτρικά εργαλεία που δεν έχουν συντηρηθεί σωστά.

- f) **Διατηρείτε τα εργαλεία κοπής κοφτερά και καθαρά.** Τα κατάλληλα συντηρημένα εργαλεία κοπής με κοφτερές γωνίες μπλοκάρουν πιο δύσκολα και ελέγχονται πιο εύκολα.

- g) **Χρησιμοποιείτε το ηλεκτρικό εργαλείο, τα εξαρτήματα, τις μύτες των εργαλείων κλπ., σύμφωνα με αυτές τις οδηγίες και με τρόπο που είναι κατάλληλος για τον συγκεκριμένο τύπο ηλεκτρικού εργαλείου, λαμβάνοντας υπόψη τις συνθήκες εργασίας και την εργασία που πρόκειται να εκτελεστεί.**

Η χρήση του ηλεκτρικού εργαλείου σε λειτουργίες διαφορετικές από εκείνες για τις οποίες προορίζεται μπορεί να δημιουργήσει επικίνδυνες καταστάσεις.

## 5) Σέρβις

- a) **Να δίνετε το ηλεκτρικό εργαλείο για σέρβις σε κατάλληλα εκπαιδευμένα άτομα και να χρησιμοποιείτε μόνο γνήσια ανταλλακτικά.**

Με αυτόν τον τρόπο είστε σίγουροι για την ασφάλεια του ηλεκτρικού εργαλείου.

## ΠΡΟΦΥΛΑΞΗ

**Μακριά από τα παιδιά και τους αναπήρους.**

**Όταν δεν χρησιμοποιούνται, τα εργαλεία πρέπει να φυλάσσονται μακριά από τα παιδιά και τους αναπήρους.**

## ΠΡΟΦΥΛΑΚΤΙΚΑ ΜΕΤΡΑ ΓΙΑ ΤΗ ΧΡΗΣΗ ΤΟΥ ΔΡΑΠΑΝΟΥ

- Κατά τη στερέωση του κοπτικού διάτρησης ή της κατασβιδόλαμας, φροντίστε να εισάγετε εξολοκλήρου το εξάρτημα μέσα στο σφιγκτήρα δραπάνου, τον οποίο και πρέπει να σφίγγετε πολύ καλά με το κλειδί σύσφιξης. Εάν δε γίνει σωστά η στερέωση, ενδεχόμενη ολίσθηση ή χαλάρωση του κοπτικού διάτρησης κατά τη λειτουργία του εργαλείου μπορεί να αποβεί πολύ επικίνδυνη.
- Μην φοράτε γάντια φτιαγμένα από υλικό που έχει την τάση να τυλίγεται όπως το βαμβάκι, το μαλλί, το ύφασμα ή ίνα κλπ.
- Μην εγγίζετε τη λεπίδα κατά τη λειτουργία του εργαλείου ή αμέσως μετά. Όταν το εργαλείο βρίσκεται σε λειτουργία, η λεπίδα υπερθερμαίνεται και ενδέχεται να προκαλέσει σοβαρά εγκαύματα.
- Κατά την εναπόθεση της λεπίδας στο έδαφος, βεβαιωθείτε ότι έχει ολοκληρώσει την περιστροφική της κίνηση.
- Πριν προβείτε στη διάτρηση τοίχου, πατώματος ή οροφής, βεβαιωθείτε απόλυτα ότι δεν υπάρχουν ενσωματωμένα αντικείμενα, όπως ηλεκτρικά καλώδια.
- Φυλαχτείτε από πτώση όταν εργάζεστε σε θέση με υψομετρική διαφορά από το έδαφος.

## ΤΕΧΝΙΚΑ ΧΑΡΑΚΤΗΡΙΣΤΙΚΑ

Μοντέλο	FD10VB	FD10SB
Τάση (ανά περιοχή)*	(110V, 115V, 120V, 127V, 220V, 230V, 240V) ~	
Ισχύς εισόδου	420W*	
Ταχύτητα χωρίς φορτίο	0–2800 min <sup>-1</sup>	2800 min <sup>-1</sup>
Ικανότητα	Ατσάλι	10 mm
	Ξύλο	25 mm
Βάρος (χωρίς το καλώδιο)	1,4 Kg	

\* Βεβαιωθείτε να ελέγξετε την πινακίδα στο προιον επειδή υπόκεινται σε αλλαγή σε εξάρτηση από την περιοχή.

## ΕΦΑΡΜΟΓΕΣ

- Διάτρηση διαφόρων υλικών**
  - Διάτρηση μετάλλου  
Χρησιμοποιήστε ειδικό κοπτικό διάτρησης μετάλλου.
  - Διάτρηση ξύλου  
Χρησιμοποιήστε ειδικό κοπτικό διάτρησης ξύλου (εκτός από την περίπτωση διάνοιξης οπών-οδηγός για ξυλόβιδες ή οπών διαμέτρου μικρότερης των 6,5 χιλ.)
- Βίδωμα ξυλοθιδων (μόνο για το μοντέλο FD10VB)**  
Χρησιμοποιήστε την κατασβιδόλαμα. Χρησιμοποιήστε κατασβίδι Phillips για ευκολότερο βίδωμα.

## ΠΡΙΝ ΤΗ ΛΕΙΤΟΥΡΓΙΑ

- Πηγή ρεύματος**  
Βεβαιωθείτε ότι η πηγή ρεύματος που πρόκειται να χρησιμοποιηθεί είναι εναρμονισμένη με τις απαιτήσεις σε ρεύμα που αναφέρεται στην πινακίδα του εργαλείου.
- Διακόπτης ρεύματος**  
Βεβαιωθείτε ότι ο διακόπτης ρεύματος βρίσκεται στη θέση OFF. Αν το βίωμα είναι στη μρίζα καθώς ο διακόπτης ρεύματος βρίσκεται στο ON, το εργαλείο θα αρχίσει να λειτουργεί αμέσως, με πιθανότητα πρόκλησης σοβαρού ατυχήματος.

### 3. Καλώδιο προέκτασης

Όταν ο χώρος εργασίας βρίσκεται μακριά από την παροχή ρεύματος. Χρησιμοποιήστε ένα καλώδιο προέκτασης με κατάλληλο πάχος και ικανότητα μεταφοράς ρεύματος. Το καλώδιο προέκτασης πρέπει να είναι τόσο κοντό όσο είναι πρακτικά δυνατό.

### 4. ΕΛΕΓΞΤΕ εάν ο σφικκτήρας δραπεάνου είναι καλά διδωμένος

Το βίδωμα του δραπεάνου είναι εργοστασιακό, ελέγξτε το όμως ξανά πριν τη χρήση.

Για να βιδώσετε, στρέψτε δεξιόστροφα το σφικκτήρα δραπεάνου.

## ΟΔΗΓΙΕΣ ΧΡΗΣΗΣ

### 1. Λειτουργία του διακόπτη

Πιέζοντας τη σκανδάλη λειτουργίας και στη συνέχεια το κουμπί μπλοκαρίσματος της, μπλοκάρτε το διακόπτη στη θέση λειτουργίας, διευκολύνοντας έτσι τη συνεχή χρήση του εργαλείου. Όταν ο διακόπτης λειτουργίας είναι στη θέση OFF, το κουμπί μπλοκαρίσματος μπορεί να αποσυνδεθεί πιέζοντας εκ νέου τη σκανδάλη λειτουργίας.

### 2. Ρύθμιση της ταχύτητας

[FD10SB]

Η μέγιστη ταχύτητα επιτυγχάνεται πιέζοντας τη σκανδάλη λειτουργίας.

[FD10VB]

(1) Η ταχύτητα μπορεί να ρυθμιστεί μεταξύ του μηδενός και της μέγιστης ταχύτητας, ανάλογα με την πίεση που ασκείτε στη σκανδάλη λειτουργίας.

(2) Η μέγιστη ταχύτητα μπορεί να ρυθμιστεί από μηδέν μέχρι 2800 min<sup>-1</sup> με τη βοήθεια του αναστροφέα περιστροφής.

(3) Στρέψτε τον αναστροφέα περιστροφής δεξιόστροφα για υψηλότερη ταχύτητα και αριστερόστροφα για χαμηλότερη. (Στρέψτε τον αναστροφέα περιστροφής περίπου 1-2/3 φορές) **(Εικ. 1)**

(4) Χάρη στο κουμπί μπλοκαρίσματος της σκανδάλης, ο διακόπτης λειτουργίας μπορεί να κλειδωθεί σε οποιαδήποτε επιθυμητή θέση, ανεξάρτητα από το βαθμό περιστροφής του αναστροφέα. Επιλέξτε την κατάλληλη θέση, ανάλογα με την ταχύτητα που απαιτείται για κάθε είδος εργασίας.

### 3. Βεβαιωθείτε ότι η λεπίδα έχει την κατάλληλη περιστροφική κατεύθυνση **(Εικ. 2)**

Πιέζοντας την πλευρά με την ένδειξη R (δεξιά) του γραναζωτού αναστροφέα, η λεπίδα περιστρέφεται δεξιόστροφα (σε οπίσθια όψη). Για να περιστραφεί η λεπίδα αριστερόστροφα, πρέπει να πιέσετε στην πλευρά με την ένδειξη L (αριστερά) του αναστροφέα.

### ΠΡΟΣΟΧΗ:

Ποτέ μην αλλάζετε την περιστροφική κατεύθυνση της λεπίδας όταν το εργαλείο βρίσκεται σε λειτουργία. Γυρίστε το διακόπτη λειτουργίας στη θέση OFF πριν αλλάξετε κατεύθυνση περιστροφής στη λεπίδα.

### 4. Για χρήση ως κρουστικό δράπανο

(1) Στερέωση του κοπτικού διάτρησης  
Βιδώστε το κοπτικό διάτρησης στο σφικκτήρα δραπεάνου. Υπάρχουν τρεις οπές στις οποίες πρέπει να εισαχθεί το κλειδί σύσφιξης. Σφίξτε διαδοχικά και ομοιόμορφα και στις τρεις οπές και όχι μόνο σε μία. Η αφαίρεση του κοπτικού δραπεάνου γίνεται με την αντίστροφη διαδικασία, όπως προαναφέρθηκε. **(Εικ. 3)**

### (2) Οδηγίες διάτρησης

#### ① Οδηγίες διάτρησης ξύλου

○ Εφαρμόστε τη μύτη του κοπτικού διάτρησης στην επιθυμητή θέση, κρατήστε το δράπανο κατακόρυφα πάνω από την επιφάνεια επεξεργασίας και πατήστε το διακόπτη λειτουργίας.

○ Όταν διανοίγετε διαμπερή οπή σε ξύλινη επιφάνεια, απομακρύνετε το δράπανο από το υλικό μόλις προβάλει η αιχμηρή απόληξη του κοπτικού διάτρησης από την άλλη πλευρά της επιφάνειας. Γυρίστε κατόπιν την επιφάνεια επεξεργασίας από την ανάποδη και ολοκληρώστε τη διάτρηση από την αντίθετη πλευρά μέχρις ότου δημιουργηθεί καθαρή οπή. **(Εικ. 4)**

Εάν υπάρχει πρόσθετη ξύλινη επιφάνεια κάτω από εκείνη που επιθυμείτε να διατρυπήσετε και διατρυπάται μαζί της, τότε θα διανοίξετε καθαρή οπή και στην πρόσθετη ξύλινη επιφάνεια. **(Εικ. 5)**

○ Δεν πρέπει να ασκείται μεγάλη πίεση σε δράπανο ξύλινου υλικού εφόσον η διάτρηση επιτυγχάνεται με το καταβίδι που βρίσκεται στη μύτη του. Δε θα επισπεύσετε τη διάνοιξη οπής ασκώντας υπερβολική βία.

#### ② Οδηγίες διάτρησης μετάλλου

○ Σε περίπτωση διάτρησης μετάλλου με δράπανο μεταλλικού υλικού, μαρκάρετε προηγουμένως τη θέση διάτρησης με τη βοήθεια μιας πόντας. Μπορείτε να διατρυπήσετε σταθερά μία μεταλλική επιφάνεια εφόσον δεν ολισθαίνει το δράπανο.

○ Το δράπανο θα έχει μεγαλύτερη διάρκεια ζωής εάν το λιπαίνεται με λάδι ραπτομηχανής ή σαπουνόνερο με βούρτσα ή παλιά οδοντόβουρτσα.

○ Δε θα επισπεύσετε τη διάνοιξη μίας οπής ασκώντας πίεση πέραν της αναγκαίας.

Αντιθέτως μάλιστα, θα προκαλέσετε φθορές στην άκρη του δραπεάνου. Τούτο θα μειώσει τη λειτουργική απόδοση του εργαλείου και θα συντομεύσει τη διάρκεια ζωής του.

### ΠΡΟΣΟΧΗ:

Μην εκθέτετε το μοτέρ στο νερό γιατί προξενείται ελαττωματική λειτουργία του μοτέρ και κίνδυνος ηλεκτροπληξίας.

### 5. Οδηγίες χρήσης δραπεανοκαταβίδιου για ξυλόβιδες **(FD10VB)**

#### (1) Καταβιδόλαμα

○ Για το βίδωμα ξυλόβιδας με χαραγμένη κεφαλή, η καταβιδόλαμα αποσπάται εύκολα. Κατά συνέπεια, μπορείτε να χρησιμοποιείτε σταυρωτές ξυλόβιδες όσο συχνά θέλετε.

○ Επιλέξτε μια καταβιδόλαμα κατάλληλη για τη συγκεκριμένη σταυρωτή ξυλόβιδα ή την ξυλόβιδα με χαραγμένη κεφαλή.

#### (2) Οπή-οδηγός

Εάν διανοίγετε οπή-οδηγός με δράπανο ελαφρώς μικρότερου διαμέτρου από τη διάμετρο της ξυλόβιδας, δε σχίζεται η ξύλινη επιφάνεια και η ξυλόβιδα βιδώνεται εύκολα.

#### (3) Βίδωμα

Τοποθετήστε μαλακά την ξυλόβιδα μέσα στην οπή-οδηγός, εφαρμόστε τη λεπίδα στην υποδοχή της κεφαλής της βίδας, γυρίστε το διακόπτη λειτουργίας στη θέση ON και βιδώστε τη βίδα.

**6. Χρειάζεται προσοχή αμέσως μετά το βίδωμα**

Όταν τοποθετείτε το δράπανο σε σκονισμένα σημεία πριν ολοκληρωθεί η περιστροφική κίνηση των αντίστοιχων εξαρτημάτων, βεβαιωθείτε ότι το μηχάνημα δεν αναδύει σκόνη και υπολείμματα επεξεργασίας.

**ΣΥΝΤΗΡΗΣΗ ΚΑΙ ΕΛΕΓΧΟΣ****ΠΡΟΣΟΧΗ**

Κατά τις εργασίες ελέγχου και συντήρησης, βεβαιωθείτε ότι έχετε γυρίσει το διακόπτη λειτουργίας στη θέση OFF και ότι έχετε αποσυνδέσει την πρίζα.

**1. Έλεγχος των λεπίδων του δραπάνου και της κατασθιδόλαμας**

Επειδή η χρήση των φθαρμένων λεπίδων του δραπάνου θα προκαλέσει την δυσλειτουργία του μοτέρ και τη μειωμένη αποδοτικότητα, αντικαταστήστε τη λεπίδα του δραπάνου με καινούργια ή ακονίστε την χωρίς καθυστέρηση όταν παρατηρηθεί η φθορά. Αν χρησιμοποιείτε λεπίδα δραπάνου της οποίας η μύτη είναι φθαρμένη ή σπασμένη, θα καταστεί επικίνδυνη εφόσον ολισθαίνει. Για αυτό το λόγο αντικαταστήστε την με μία καινούργια.

**2. Έλεγχος των βιδών στερέωσης**

Ελέγχετε περιοδικά όλες τις βίδες στερέωσης και βεβαιωθείτε ότι είναι κατάλληλα σφιγμένες. Στην περίπτωση που χαλαρώσει οποιαδήποτε βίδα σφίξτε την ξανά αμέσως. Αν δεν το κάνετε αυτό μπορεί να έχει ως αποτέλεσμα το σοβαρό τραυματισμό.

**3. Σέρβις**

Συμβουλευτείτε ένα Εξουσιοδοτημένο Κέντρο Σέρβις της Hitachi στην περίπτωση βλάβης του ηλεκτρικού εργαλείου.

**4. Λίστα συντήρησης των μερών**

- A: Αρ. Αντικειμένου
- B: Αρ. Κωδικού
- C: Αρ. που χρησιμοποιήθηκε
- D: Παρατηρήσεις

**ΠΡΟΣΟΧΗ**

Η επισκευή, η τροποποίηση και ο έλεγχος των Ηλεκτρικών Εργαλείων Hitachi πρέπει να γίνεται από ένα Εξουσιοδοτημένο Κέντρο Σέρβις της Hitachi. Αυτή η λίστα των Μερών θα είναι χρήσιμη αν παρουσιαστεί μαζί με το εργαλείο στο Εξουσιοδοτημένο Κέντρο Σέρβις της Hitachi όταν ζητάτε επισκευή ή κάποια άλλη συντήρηση.

Κατά τον έλεγχο και τη συντήρηση των ηλεκτρικών εργαλείων, οι κανόνες ασφαλείας και οι κανονισμοί που υπάρχουν σε κάθε χώρα πρέπει να ακολουθούνται.

**ΤΡΟΠΟΠΟΙΗΣΗ**

Τα Ηλεκτρικά Εργαλεία Hitachi βελτιώνονται συνεχώς και τροποποιούνται για να συμπεριλάβουν τις τελευταίες τεχνολογικές προόδους.

Κατά συνέπεια, ορισμένα τμήματα (δηλ. κωδικοί αριθμοί και / ή σχεδιασμός) μπορούν να αλλάξουν χωρίς προηγούμενη ειδοποίηση.

**ΕΓΓΥΗΣΗ**

Εγγυώμαστε τα εργαλεία Hitachi Power Tools σύμφωνα με τη νομοθεσία και τους κανονισμούς ανά χώρα. Η παρούσα εγγύηση δεν καλύπτει ελαττώματα ή ζημιές λόγω κακής χρήσης, κακοποίησης ή φυσιολογικής φθοράς. Σε περίπτωση παραπόνων παρακαλούμε αποστείλετε το Power Tool χωρίς να το αποσυναρμολογήσετε μαζί με το ΠΙΣΤΟΠΟΙΗΤΙΚΟ ΕΓΓΥΗΣΗΣ το οποίο βρίσκεται στο τέλος των οδηγιών αυτών, σε Εξουσιοδοτημένο Κέντρο Επισκευής της Hitachi.

**ΣΗΜΕΙΩΣΗ**

Εξαιτίας του συνεχιζόμενου προγράμματος έρευνας και ανάπτυξης της Hitachi τα τεχνικά χαρακτηριστικά που εδώ αναφέρονται μπορούν να αλλάξουν χωρίς προηγούμενη ειδοποίηση.

## OGÓLNE WSKAZÓWKI BEZPIECZEŃSTWA

### OSTRZEŻENIE!

#### Należy przeczytać wszystkie instrukcje

Nieprzestrzeganie któregokolwiek z zamieszczonych poniżej zaleceń może być przyczyną porażenia prądem elektrycznym, pożaru i/lub poważnych obrażeń ciała. Występujące w poniższych ostrzeżeniach wyrażenie "urządzenie elektryczne" oznacza urządzenia zasilane z sieci elektrycznej (za pomocą przewodu) lub baterii (bezprowadowe).

### INSTRUKCJE POWINNY BYĆ ZACHOWANE NA PRZYSZŁOŚĆ

#### 1) Miejsce pracy

- Miejsce pracy powinno być uprzątnięte i czyste.**  
*W miejscach nieuporządkowanych i źle oświetlonych ryzyko wypadku jest większe.*
- Nie należy używać urządzeń elektrycznych w przypadku zagrożenia wybuchem, na przykład w obecności łatwopalnych płynów, gazów lub pyłów.**  
*Urządzenia elektryczne wytwarzają iskry, które mogą spowodować zapłon pyłu.*
- Dzieci i osoby postronne nie powinny znajdować się w pobliżu pracującego urządzenia elektrycznego.**  
*Odwrócenie uwagi użytkownika może spowodować utratę kontroli nad urządzeniem.*

#### 2) Bezpieczeństwo elektryczne

- Wtyczka urządzenia elektrycznego musi być odpowiednia do gniazdka.**  
**Nigdy nie należy w jakikolwiek sposób przerabiać wtyczki.**  
**Nie używać jakichkolwiek elementów łączących z urządzeniami wymagającymi uziemienia.**  
*Używanie tylko oryginalnych wtyczek pasujących do gniazdka ogranicza ryzyko porażenia prądem elektrycznym.*
- Unikać kontaktu z przedmiotami uziemionymi, takimi jak rury, kaloryfery, kuchenki i urządzenia chłodnicze.**  
*W przypadku dotykania uziemienia ryzyko porażenia prądem elektrycznym jest większe.*
- Nie narażać urządzeń elektrycznych na działanie deszczu lub wilgoci.**  
*Przedostanie się wody do urządzenia zwiększa ryzyko porażenia prądem elektrycznym.*
- Odpowiednio używać przewodów zasilających. Nigdy nie wykorzystywać przewodu do przenoszenia lub ciągnięcia urządzenia lub też wyciągania wtyczki z gniazdka.**  
**Utrzymywać przewód z dala od źródeł ciepła, oleju, ostrych krawędzi lub części ruchomych.**  
*Uszkodzenie lub nacięcie przewodu zwiększa ryzyko porażenia prądem elektrycznym.*
- Podczas pracy z urządzeniem elektrycznym na wolnym powietrzu należy używać odpowiedniego przedłużacza.**  
*Używanie przedłużacza przeznaczonego do pracy na wolnym powietrzu zmniejsza ryzyko porażenia prądem elektrycznym.*

#### 3) Bezpieczeństwo osobiste

- Podczas pracy z urządzeniem elektrycznym należy zachowywać koncentrację i planować wykonywane zadania, kierując się zdrowym rozsądkiem.**

**Urządzenia elektryczne nie powinny obsługiwać osoby zmęczone lub znajdujące się pod wpływem substancji odurzających, alkoholu lub lekarstw.**

*Chwila nieuwagi podczas pracy z urządzeniem może stać się przyczyną poważnych obrażeń.*

- Używać wyposażenia ochronnego. Zawsze nosić okulary ochronne.**

*Używanie wyposażenia ochronnego, takiego jak maski przeciwpyłowe, buty przeciwpoślizgowe, odpowiednie nakrycie głowy i słuchawki ogranicza ryzyko obrażeń ciała.*

- Unikać nieprzewidzianego uruchomienia urządzenia. Przed włożeniem wtyczki do gniazdka upewnić się, że urządzenie jest wyłączone.**

*Przenoszenie urządzenia z palcem na wyłączniku lub podłączenie do sieci włączonego urządzenia może spowodować wypadek.*

- Przed włączeniem urządzenia usunąć wszelkiego rodzaju klucze regulacyjne.**

*Pozostawienie klucza w ruchomej części urządzenia może spowodować obrażenia.*

- Nie trzymać urządzenia zbyt daleko od siebie. Zachować stabilną pozycję przez cały czas.**

*Umożliwia to pełne panowanie nad urządzeniem, nawet w nieoczekiwanych sytuacjach.*

- Nosić odpowiednią odzież. Nie należy nosić luźnych ubrań oraz biżuterii. Utrzymywać włosy, odzież i rękawice z dala od ruchomych części urządzenia.**

*Luźne ubrania, biżuteria lub długie włosy mogą zostać wciągnięte przez poruszające się części.*

- Jeżeli urządzenie wyposażone jest w system odprowadzania pyłu, powinien on być założony i właściwie używany.**

*Użycie tego rodzaju urządzeń ograniczy zagrożenia związane z gromadzeniem się pyłu.*

#### 4) Obsługa i konserwacja urządzenia

- Nie dociskać urządzenia zbyt mocno. Należy używać tylko właściwego urządzenia, odpowiedniego dla wykonywanej pracy.**

*Użycie odpowiedniego urządzenia spowoduje, że praca zostanie wykonana lepiej i bezpiecznie.*

- Nie używać urządzenia elektrycznego, którego wyłącznik jest niesprawny.**

*Urządzenie, które nie może zostać wyłączone za pomocą wyłącznika, jest niebezpieczne i musi zostać przeznaczone do naprawy.*

- Przed przystąpieniem do jakichkolwiek prac, jak na przykład wymiana akcesoriów, urządzenie musi zostać wyłączone z sieci. To samo dotyczy przechowywania urządzenia nieużywanego.**

*Umożliwi to zmniejszenie ryzyka nieprzewidzianego uruchomienia urządzenia.*

- Urządzenia elektryczne powinny być przechowywane poza zasięgiem dzieci oraz wszelkich osób nie znających zasad funkcjonowania i obsługi tego typu urządzeń.**

*Obsługa urządzeń elektrycznych przez osoby nie znające zasad ich funkcjonowania jest niebezpieczna.*

- e) Wykonywać odpowiednie prace konserwacyjne. Kontrolować prawidłowość ustawienia części ruchomych, ich uszkodzenia i wszelkie inne kwestie, mogące spowodować nieprawidłową pracę urządzenia.

Uszkodzone urządzenie powinno zostać natychmiast przekazane do naprawy.

Wiele wypadków spowodowane jest niewłaściwą konserwacją urządzeń elektrycznych.

- f) Narzędzia tnące powinny być naostrzone i czyste. Odpowiednio naostrzone narzędzia nie będą się wyginać i są łatwiejsze w używaniu.

- g) Urządzenie elektryczne, akcesoria, wiertła itd. powinny być używane zgodnie z niniejszymi zaleceniami oraz w sposób odpowiadający wykonywanej pracy, przy uwzględnieniu warunków panujących w otoczeniu.

Wykorzystanie urządzenia elektrycznego do pracy, do której nie jest ono przeznaczone, grozi wypadkiem.

## 5) Serwis

- a) Urządzenie powinno być serwisowane tylko przez osoby posiadające odpowiednie kwalifikacje, przy użyciu wyłącznie identycznych, oryginalnych części zamiennych.

Zapewni to utrzymanie pełnego bezpieczeństwa pracy z urządzeniem.

## ŚRODKI OSTROŻNOŚCI

Dzieci i osoby niepełnosprawne nie powinny znajdować się w pobliżu urządzenia.

Nie używane urządzenie powinno być przechowywane w miejscu poza zasięgiem dzieci i osób niepełnosprawnych.

## ŚRODKI OSTROŻNOŚCI PRZY UŻYCIU WIERTARKI

1. W czasie mocowania wiertła lub końcówki wkręcającej należy wsunąć je całkowicie w uchwyt, a następnie zacisnąć uchwyt za pomocą klucza. Niepoprawnie zamocowane wiertło stwarza niebezpieczeństwo - może się wysunąć lub poluzować w czasie pracy.
2. Nie wolno używać rękawic wykonanych z materiału, który może się zawijać, np. bawełny, wełny, sukna lub nici.
3. W trakcie pracy lub bezpośrednio po jej zakończeniu nie wolno dotykać wiertła. W trakcie pracy wiertło nagrzewa się, co grozi poważnymi poparzeniami.
4. Odkładając urządzenie na podłogę, należy się upewnić, że wiertło się zatrzymało.
5. Przed przystąpieniem do wiercenia w ścianie, podłodze lub suficie należy upewnić się, że w miejscu wiercenia nie przebiegają przewody elektryczne.
6. Pracując na wysokości, należy zachować ostrożność podczas wiercenia od góry.

## DANE TECHNICZNE

Model	FD10VB	FD10SB
Napięcie (w zależności od miejsca)*	(110V, 115V, 120V, 127V, 220V, 230V, 240V) ∪	
Moc pobierana	420W*	
Prędkość obrotowa bez obciążenia	0–2800 min <sup>-1</sup>	2800 min <sup>-1</sup>
Możliwości	Stal	10 mm
	Drewno	25 mm
Waga (bez kabla)	1,4 kg	

\* Sprawdź nazwę produktu, jako że ulega ona zmianie w zależności od miejsca zakupu.

## ZASTOSOWANIE

### 1. Wiercenie w różnych rodzajach materiału

- Wiercenie w metalu  
Wiertło do metalu
- Wiercenie w drewnie  
Wiertło do drewna (w przypadku nawiercania otworów pod wkręty do drewna lub wiercenia otworów mniejszych niż 6,5 mm można użyć wiertła do metalu).

### 2. Wkręcanie wkrętów do drewna (tylko model FD10VB)

Końcówka wkręcająca. Dla łatwiejszego wkręcania można używać wkrętów krzyżowych.

gdy przełącznik jest włączony (pozycja ON), narzędzie zacznie działać natychmiast, co może spowodować poważny wypadek.

### 3. Przedłużacz

Kiedy miejsce pracy znajduje się daleko od źródła prądu, użyj przedłużacza o wystarczającym przekroju. Przedłużacz powinien być tak krótki jak tylko jest to możliwe.

### 4. Sprawdzić, czy uchwyt wiertarski jest dokręcony.

Uchwyt został dokręcony fabrycznie, jednak przed przystąpieniem do pracy należy sprawdzić, czy jest sprawny.

Aby dokręcić uchwyt, należy go obrócić zgodnie z ruchem wskazówek zegara.

## PRZED UŻYCIEM

### 1. Źródło mocy

Upewnij się, że źródło mocy jest zgodne z wymogami mocy zaznaczonymi przy nazwie produktu.

### 2. Przełącznik

Upewnij się, że przełącznik jest wyłączony (pozycja OFF). Jeśli wtyczka jest włączona do prądu podczas

## UŻYTKOWANIE

### 1. Obsługa wyłącznika

Wciśnięcie spustu a następnie jego blokady pozwala na zatrzymanie spustu wyłącznika w pozycji pracy. Jest to bardzo wygodne szczególnie przy dłuższej pracy. Blokadę spustu można zwolnić, wciskając ponownie spust.



## 2. Dostosowywanie prędkości

[FD10SB]

Maksymalna prędkość pracy jest dostępna po wciśnięciu spustu.

[FD10SB]

- (1) Prędkość pracy zależy od głębokości wciśnięcia spustu.
- (2) Maksymalna prędkość pracy wynosi 2800 min<sup>-1</sup> i może zostać ustawiona za pomocą pokrętki regulacji.
- (3) Obrócić pokrętkę zgodnie z ruchem wskazówek zegara, aby ustawić większą prędkość, lub przeciwnie do ruchu wskazówek zegara, aby ustawić mniejszą. (Obrócić pokrętkę regulacji o około 1-2/3 obrotu) **(Rys. 1)**
- (4) Wyłącznik może zostać zablokowany w wybranym położeniu bez względu na ustawienie pokrętki regulacji. Ustawić wyłącznik w odpowiedniej pozycji w zależności od wymaganej prędkości pracy.

## 3. Potwierdzić kierunek obrotu wiertła **(Rys. 2)**

Wiertło obraca się zgodnie z ruchem wskazówek zegara (patrzac od tyłu urządzenia) po przestawieniu dźwigni zmiany kierunku obrotów do położenia R. Po przestawieniu dźwigni do położenia L wiertło obraca się przeciwnie do ruchu wskazówek zegara.

### UWAGA:

Nigdy nie zmieniać kierunku obrotu wiertła w czasie pracy. Przed zmianą kierunku obrotów urządzenie należy WYŁĄCZYĆ.

## 4. W przypadku wiercenia

### (1) Montaż wiertła

Zacisnąć wiertło w uchwycie za pomocą klucza. W uchwycie znajdują się trzy otwory, w których można umieścić klucz. Uchwyt należy zaciskać równomiernie, wykorzystując każdy z otworów. Nie należy zaciskać za pośrednictwem tylko jednego otworu. Wiertło można zdemontować, wykonując w odwrotnej kolejności opisane wyżej czynności. **(Rys. 3)**

### (2) Wiercenie

#### ① Wiercenie w materiale drewnianym

- Przyłożyć wierzchołek wiertła w miejscu wiercenia; ustawić urządzenie prostopadle do powierzchni obrabianego materiału i wcisnąć wyłącznik.
- Przewiercając na wylot materiał drewniany, wiertło należy wysunąć zaraz po ukazaniu się wierzchołka wiertła po drugiej stronie obrabianego elementu. W celu uzyskania gładkich krawędzi otworu obrabiany element należy odwrócić i zakończyć wiercenie z drugiej strony. **(Rys. 4)**

Gładkie krawędzie zapewnia także ułożenie pod obrabianym elementem dodatkowego kawałka drewna. **(Rys. 5)**

○ Nie ma potrzeby dociskania wiertła do drewna, ponieważ zagłębia się ono w materiał dzięki śrubowemu zakończeniu. Zwiększenie siły nacisku nie przyspiesza procesu wiercenia.

#### ② Wiercenie w materiale metalowym

- W przypadku obróbki elementu metalowego przed przystąpieniem do pracy należy napunktować materiał w miejscu wiercenia. Ułatwia to rozpoczęcie wiercenia, ponieważ wierzchołek wiertła nie ześlizguje się.
- Żywotność wiertła można wydłużyć, stosując oleje maszynowe lub wodę z dodatkiem mydła, które można nanosić za pomocą szczotki lub szczoteczki do zębów.
- Zwiększenie nacisku nie przyspiesza procesu wiercenia.

W jego wyniku może dojść jedynie do uszkodzenia wiertła. Może to także prowadzić do obniżenia wydajności narzędzia i skrócenia jego żywotności.

### UWAGA:

Silnik urządzenia należy zabezpieczyć przed kontaktem z wodą, co mogłoby spowodować jego awarię lub porażenie użytkownika prądem elektrycznym.

## 5. Wkręcanie wkrętów do drewna **(FD10VB)**

### (1) Końcówka wkręcająca

- W przypadku wkręcania wkrętów do drewna z nacięciem prostym końcówka może się łatwo ześlizgnąć. Zaleca się, aby jak najczęściej używać wkrętów z nacięciem krzyżowym.
- Wybrać końcówkę zgodnie z nacięciem na łbie wkrętu.

### (2) Nawiert

Jeśli średnica nawiertu będzie nieznacznie mniejsza od średnicy wkrętu do drewna, obrabiany element nie pęknie, a wkręcenie będzie przebiegać sprawnie.

### (3) Wkręcanie

Wkręt umieścić delikatnie w nawierconym otworze; końcówkę wkręcającą umieścić w nacięciu na łbie wkrętu i uruhamić urządzenie.

## 6. Bezpośrednio po zakończeniu pracy należy zachować ostrożność.

W zakurzonych pomieszczeniach należy przed odłożeniem urządzenia, którego części nadal się obracają, sprawdzić, czy nie zasysa ono kurzu ani opiłków.

## KONSERWACJA I INSPEKCJA

### UWAGA

W czasie konserwacji urządzenia należy się upewnić, że jest ono WYŁĄCZONE i odłączone od zasilania.

#### 1. Kontrola wiertel i końcówek wkręcających

Ponieważ używanie tępych wiertel powoduje niewłaściwą pracę silnika i zmniejsza wydajność wiertarki, jeśli zauważysz, że wiertło się stępilo, niezwłocznie wymień je na nowe lub naostrz. Korzystanie z końcówki wkręcającej ze stępionym lub złamanym grotem jest niebezpieczne, ponieważ końcówka może się ześlizgnąć. Należy ją wymienić.

#### 2. Sprawdzanie śrub mocujących

Regularnie sprawdzaj wszystkie mocujące śruby i upewnij się, że są mocno przykręcone. Jeśli któraś z nich się obluzuje, natychmiast ją przykręć. Zaniedbanie tego może spowodować poważne zagrożenie.

#### 3. Serwisowanie

W przypadku awarii elektrycznej, należy skontaktować się z Autoryzowanym Punktem Serwisowym Hitachi.

#### 4. Lista części zamiennych

- A: Nr części
- B: Nr kodu
- C: Ilość użytych części
- D: Uwagi

### UWAGA

Naprawy, modyfikacji i kontroli Narzędzi Elektrycznych Hitachi może dokonywać tylko Autoryzowane Centrum Obsługi Hitachi.

Ta lista części będzie przydatna, jeśli zostanie wręczona Autoryzowanemu Centrum Obsługi Hitachi, gdy zanieśmy narzędzie do naprawy lub przeglądu.

Podczas używania i konserwacji narzędzi elektrycznych należy przestrzegać przepisów i norm bezpieczeństwa danego kraju.

**MODYFIKACJE**

Narzędzia elektryczne Hitachi są ciągle ulepszone i modyfikowane w celu wprowadzania najnowszych osiągnięć nauki i techniki

W związku z tym pewne części (a także numery kodów i konstrukcja) mogą ulec zmianom bez uprzedzenia.

---

**GWARANCJA**

Gwarancja na elektronarzędzia Hitachi jest udzielana z uwzględnieniem praw statutowych i przepisów krajowych. Gwarancja nie obejmuje wad i uszkodzeń powstałych w wyniku niewłaściwego użytkowania lub wynikających z normalnego zużycia. W wypadku reklamacji należy dostarczyć kompletne elektronarzędzie do autoryzowanego centrum serwisowego Hitachi wraz z KARTĄ GWARANCYJNĄ znajdującą się na końcu instrukcji obsługi.

---

**WSKAZÓWKA**

W związku z prowadzonym przez Hitachi programem badań i rozwoju, specyfikacje te mogą się zmienić w każdej chwili bez uprzedzenia.

---

## ÁLTALÁNOS BIZTONSÁGTECHNIKAI ELŐÍRÁSOK

### FIGYELEM!

#### Olvassa végig az utasításokat

Az alábbi utasítások be nem tartása áramütést, tüzet és súlyos sérülést okozhat.

Az alábbi figyelmeztetésekben szereplő "elektromos szerszámgép" kifejezés az ön - hálózatról üzemeltetett (vezetékes) vagy akkumulátoros (vezeték nélküli) - elektromos szerszámgépére vonatkozik.

### ŐRIZZE MEG AZ UTASÍTÁSOKAT

#### 1) A munkahely

- a) A munkahelyet tartsa tisztán, és megfelelően világítsa meg.

*A túlzásfűt és sötét munkahelyek vonzzák a baleseteket.*

- b) Az elektromos szerszámgépeket ne használja robbanásveszélyes légterben, például gyúlékony folyadékok, gázok vagy por mellett.

*Az elektromos szerszámgépek szikrákat bocsáthatnak ki, melyek berobbanhatnak a jelenlévő port.*

- c) A szerszámgép működtetése közben tartsa távol a gyermekeket és a körülállókot.

*A figyelmeztetés a szerszámgép feletti kontroll elvesztését okozhatja.*

#### 2) Érintésvédelem

- a) Az elektromos szerszámgép dugaszának illeszkednie kell a hálózati csatlakozóaljzatba.

*Semmilyen körülmények között ne módosítsa a dugaszt.*

*Ne használjon semmilyen átalakító dugaszt a földelt elektromos szerszámgéppel.*

*A módosítás nélküli dugaszok és a megfelelő aljzatok csökkentik az elektromos áramütés veszélyét.*

- b) Ügyeljen arra, hogy munka közben ne érintsen meg földelt felületeket, pl. csővezetékeket, fűtőtesteket, tűzhelyeket vagy hűtőberendezéseket.

*Ha a kezelő teste földelve van, az áramütés veszélye megnő.*

- c) Az elektromos szerszámgépeket ne tegye ki eső vagy nedvesség hatásának.

*Az elektromos szerszámgépbe kerülő víz növeli az áramütés veszélyét.*

- d) Ne rongálja meg az elektromos csatlakozókábelet. A szerszámgépet ne hordozza a kábelnél fogva, és a villásdugót soha ne a kábelnél fogva húzza ki a dugaszolóaljzataból.

*Védje a kábelt a magas hőmérséklettől, olajtól és az éles sarkoktól.*

*A sérült vagy összegabalyodott vezetékek növelik az elektromos áramütés veszélyét.*

- e) Ha a szabadban kell munkát végeznie, mindig csak az erre a célra alkalmas hosszabbító kábelt használjon.

*A kültéri használatra alkalmas hosszabbító használata csökkenti az elektromos áramütés veszélyét.*

#### 3) A testi épség védelme

- a) Mindig figyeljen oda a végzett munkára. Az elektromos szerszámgéppel végzett munka teljes figyelmet igényel.

Ne használja a készüléket, ha nem érzi kipihentnek magát, ha kábítószert, alkoholt vagy gyógyszert használ, ha a hatás alatt áll.

*Egy pillanatnyi figyelmetlenség is súlyos sérülést okozhat.*

- b) Használjon védőfelszerelést. Mindig használjon védőszemüveget.

*A védőfelszerelések, pl. a pormaszka, a csúszásbiztos biztonsági cipő, a védősisak és a fürdőgő használata csökkenti a sérülésveszélyt.*

- c) Kerülje a gép véletlenszerű beindítását. Mielőtt a csatlakozó dugót a dugaszolóaljzatba bedugja, mindig győződjék meg róla, hogy a készülék ki van kapcsolva.

*Ne tartsa újrat a csatlakozó dugót, ha hordozza a készüléket, és ne csatlakoztasson bekapcsolt készüléket az áramforrásra.*

- d) Mielőtt a gépet bekapcsolja, mindig ellenőrizze, hogy kivette-e a készülékből a szerszámbeállító- illetve befogókulcsot.

*A forgó alkatrészben maradt szerszámbeállító- vagy befogókulcs személyi sérülést okozhat.*

- e) Ne nyújtsa ki a kezét túl nagy távolságra. Munka közben mindig álljon stabilan, és őrizze meg az egyensúlyát.

*Így a váratlan helyzetekben sem veszti el a szerszám feletti uralmát.*

- f) Viseljen megfelelő munkaruhát. Munka közben ne viseljen bő öltözetet vagy ékszert. Haját, ruházatát és kesztyűjét tartsa távol a mozgó alkatrészekről.

*A bő öltözetet, ékszereket vagy a hosszú haját a mozgó alkatrészek elkapathatják.*

- g) Ha a készülék rendelkezik porleszívási, illetve -gyűjtési lehetőséggel, ügyeljen rá, hogy azok megfelelően legyenek csatlakoztatva és használva.

*A fenti eszközök használata csökkenti a por okozta veszélyt.*

#### 4) Az elektromos szerszámgép használata és karbantartása

- a) Ne erőltesse a szerszámot. Mindig az alkalmazásnak megfelelő szerszámot használjon.

*A megfelelő szerszámgép nominális teljesítményszinten jobban és biztonságosabban működik.*

- b) Ne használja a szerszámot, ha a kapcsolót azt nem kapcsolja megfelelően be, illetve ki.

*A kapcsolóval nem szabályozható szerszámgép veszélyes, és azt meg kell javítani.*

- c) Mindig húzza ki a dugaszoló aljzataból a csatlakozó dugót, mielőtt a készüléket beállításokat végezne, kicserélne a tartozékokat, vagy mielőtt eltávolítaná a készüléket.

*A fenti biztonsági óvintézkedések csökkentik a készülék véletlenszerű bekapcsolásának veszélyét.*

- d) A használaton kívüli szerszámokat tárolja gyermekek által nem hozzáférhető helyen, és ne engedje, hogy a készüléket az üzemeltetéshez nem értő személyek használják.

*A gyakorlatlan használó kezében a szerszámgépek különösen nagy veszélyt jelentenek.*

- e) A szerszámgépek karbantartása. Ellenőrizze a mozgó alkatrészek illesztését, rögzítését, az alkatrészek esetleges repedését és minden olyan tulajdonságot, mely hatással lehet a munkavégzésre.

*Meghibásodás esetén használat előtt javítsa meg a készüléket.*

*A nem megfelelő karbantartás sok balesetet okoz.*

- f) **A vágószerszámokat mindig tartsa élesen és tisztán.**  
A megfelelően karbantartott - éles vágóélű-vágószerszámok kisebb eséllyel görbülnek el, és könnyebben irányíthatók.
- g) **Használja a szerszámgépet és a fúrófejeket stb. az utasításoknak és az adott szerszámgép rendeltetésének megfelelően, mindig figyelembe véve a munkakörülményeket és az elvégzendő munka jellegét.**  
A szerszámgép rendeltetéstől eltérő használata veszélyt okozhat.

## 5) Javítás

- a) **A szerszámot csak - eredeti cserealkatrészeket használó - szakképzett személlyel javíttassa.**  
Így biztosítható a szerszámgép biztonságos üzemeltetése.

## ÖVINTÉZKEDÉS

**A gyermekeket és a felügyeletre szoruló személyeket tartsa távol az elektromos szerszámgéptől.**  
**A használaton kívüli szerszámgépeket gyermekektől és felügyeletre szoruló személyektől elzárva kell tartani.**

## MŰSZAKI ADATOK

Modell	FD10VB	FD10SB
Feszültség (terület szerint)*	(110V, 115V, 120V, 127V, 220V, 230V, 240V) ∨	
Névleges teljesítményfelvétel	420W*	
Üresjáratú fordulatszám	0–2800 min <sup>-1</sup>	2800 min <sup>-1</sup>
Kapacitás	Acél	10 mm
	Fa	25 mm
Súly (tápkábel nélkül)	1,4 kg	

\* Ne felejtse el ellenőrizni a típus táblán feltüntetett adatokat, mivel ezek eladási területekenként változnak!

## ALKALMAZÁSOK

### 1. Különböző anyagok fúrása

- Fém fúrása  
Használjon fémfúró fúróhegyet
- Fa fúra  
Használjon fához való fúróhegyet (A facsavarak vagy a 6,5 mm-nél kisebb furatok vezetőfurataihoz használjon fémhez való fúróhegyet.)

### 2. Facsavarak meghúzása (csak az FD10VB modell esetén)

Használja a behajtófejet. A könnyű meghúzhatóság érdekében használjon csillagfejű csavart.

## AZ ÜZEMBEHELYEZÉS ELŐTTI TENNIVALÓK

### 1. Áramforrás

Ügyeljen rá, hogy a készülék adattábláján feltüntetett feszültség értéke megegyezzen az alkalmazni kívánt hálózati feszültséggel.

### 2. Hálózati kapcsoló

Ügyeljen rá, hogy a hálózati kapcsoló KI állásba legyen kapcsolva. Ha a csatlakozódugót úgy csatlakoztatja a dugaszolóaljzatba, hogy közben a hálózati kapcsoló BE állásban van, a kéziszerszám azonnal működésbe lép, ami súlyos balesetet idézhet elő.

## A FÚRÓGÉP HASZNÁLTÁVAL KAPCSOLATOS ELŐVIGYÁZATOSÁGI INTÉZKEDÉSEK

1. A fúrófej vagy a behajtófej szerelésekore illesse be azokat teljesen a fúrótokmányba, és teljesen szorítsa meg a tokmányt a tokmánykulccsal.  
A nem megfelelő rögzítés nagyon veszélyes, mert használat közben a fúrófej kicsúszhat, vagy kilazulhat.
2. Ne viseljen olyan anyagból készült kesztyűt, amely hajlamos arra, hogy felcsavarodjon (pamut, gyapjú, textil vagy spárca, stb.)
3. Ne érintse meg a fúróhegyet működés közben vagy közvetlenül utána. A fúróhegy működtetés közben nagyon felforrósodik, és égési sérülést okozhat.
4. A fúrógépet csak álló helyzetben helyezze a padlóra.
5. Mielőtt a falba, padlóba vagy mennyezetbe való fúrást megkezdené, alaposan ellenőrizze, hogy nincsenek-e azokban elektromos kábelek vagy vízvezetékek.
6. Magasban való munkavégzés esetén legyen figyelemmel az alul lévőkre.

### 3. Hosszabbító vezeték

Ha a munkaterület az áramforrástól távol található, akkor egy megfelelő keresztmetszetű és teljesítményű hosszabbító vezetékkel kell alkalmazni.

### 4. Ellenőrizze a fúrótokmány feszeségét

A fúrótokmányt a gyártás során meghúzták, ettől függetlenül ellenőrizze annak rögzítettségét.  
A meghúzáshoz fordítsa a fúrótokmányt az óramutató járásával megegyező irányba.

## HASZNÁLAT

### 1. A kapcsoló működtetése

A kapcsoló meghúzása és a rögzítógomb egyidejű megnyomása bekapcsolt állapotban tartja a szerszámgépet, ami megkönnyíti a folyamatos munkavégzést. Kikapcsoláskor a rögzítógomb a kapcsoló ismételt meghúzásával kikapcsolható ki.

### 2. A sebesség beállítása

[FD10SB]

A maximális sebesség a kapcsoló húzásával érhető el. [FD10VB]

- (1) A sebesség a nullától a maximális sebességig a kapcsoló meghúzásának fokával szabályozható.
- (2) A maximális sebesség nullától 2800 min<sup>-1</sup> értékig szabályozható a beállítógomb segítségével.

- (3) Fordítsa el a beállítógombot az óramutató járásával megegyező irányba a magasabb, és ellenkező irányba az alacsonyabb sebességhez. (Fordítsa el a beállítógombot körülbelül 1-2/3 fordulattal) **(1. Ábra)**
- (4) A kapcsoló állása a rögzítógomb segítségével - függetlenül a beállítógomb helyzetétől - bármely helyzetben zárható. Válassza ki a konkrét munkálathoz szükséges sebességet.
- 3. Ellenőrizze a fej forgásirányát (2. Ábra)**  
A forgásirányváltó kar jobb oldalának megnyomásakor a behajtófej balról jobbra forog (hátrólul nézve). Ahhoz, hogy a behajtófej az óramutató járásával ellentétes irányban forogjon, a nyomógomb bal oldalát kell megnyomni.

## FIGYELEM:

Használat közben soha ne változtassa meg a fej forgásirányát.

A forgásirány átkapcsolása előtt minden esetben kacsolja KI a készüléket.

## 4. Fűrőként való használathoz

- (1) A fűrőhegy behelyezése  
Szorítsa meg a fűrőhegyet a tokmánykulccsal. A tokmánykulcs három részbe illeszhető be. Szorítsa meg őket egyenletesen mind a három részben. Soha ne csak az egyik részben szorítsa meg a tokmányt. A fűrőhegyet a fentivel ellentétes módon lehet kivenni. **(3. Ábra)**
- (2) Fúrás  
① Fűrészáru fúrása  
 Illessze a fűrőhegy csúcsát a kívánt helyre, tartsa a fűrőgépet merőlegesen a munkadarabra, majd nyomja meg a gombot.  
 Abban az esetben, amikor a fűrészárut teljesen át kell fúrnia, húzza ki a fúrót az anyagból azonnal, amint az átfúrta a munkadarabot. Ezután fordítsa meg a munkadarabot, és a másik oldalról is ismétlje meg a műveletet a tiszta lyuk eléréséhez. **(4. Ábra)**  
Ha extra fűrészárut is használ a fúrni kívánt anyag alatt, és azokat együtt fúrja, egy finom lyuk keletkezik az extra anyagon. **(5. Ábra)**  
 A fa fúrásához való fűrőhegyet nem szükséges erősen az anyaghoz nyomni, mivel az a csúcsán lévő csavarral fúrja át az anyagot. A lyuk nagy erő alkalmazásával sem készül el előbb.
- ② Fémáru fúrása  
 Alkalmazzon beütést a fúrási pozícióban, amennyiben fémárut fémfűrő fűrőheggyel kíván fúrni. Így a fűrőhegy stabil marad, és a csúcs nem csúszik el a fémen.  
 A fűrőhegy élettartamának meghosszabbításához vigyen fel rá varrógépolajot vagy szappanos vizet egy kefével vagy régi fogkefével.  
 A lyuk nagy erő alkalmazásával sem készül el előbb. Ellenkezőleg: a fűrőél könnyen megsérülhet. Ez lecsökkenti a szerszám gép működési hatékonyságát és élettartamát.

## FIGYELEM:

A meghibásodások és az elektromos áramütés elkerülése érdekében a motort semmilyen körülmények között ne tegye ki víznek.

## 5. Facsavarok behajtása (FD10VB)

- (1) Behajtófej  
 Hornyos fejű facsavar behajtásakor a behajtófej könnyen lecsúszhat a csavarról. Ezért amikor csak lehet, használjon keresztornyos csavart.  
 Válasszon a facsavar hornyához, illetve keresztornyóhoz illő behajtófejet.

## (2) Vezetőfurat

A fűrészáru nem reped el, és a facsavar könnyen behajtható, emennyiben a vezérlőfurat átmérője a facsavar átmérőjénél valamivel kisebb.

## (3) Behajtás

Illessze a facsavart lazán a vezérlőfuratba, majd pedig illesse a behajtófejet a csavar hornyához, ezután nyomja meg a kapcsolót, és hajtsa be a csavart.

## 6. Használat utáni intézkedések

Ha a fűrőgépet poros felületre helyezi, ügyeljen arra, hogy a szerszám gépbe ne kerüljön por vagy forgács.

## ELLENŐRZÉS ÉS KARBANTARTÁS

### FIGYELEM

Karbantarts vagy ellenőrzés előtt soha ne felejtse el KIKAPCSOLNI és a tápellátásról leválasztani a szerszám gépet.

#### 1. A fűrőhegyek és a behajtófejek ellenőrzése

Miután az elkopott fűrőhegyek használata a motor hibás működését és a hatékonyság romlását okozhatja, a kopottság észlelésekor késedelem nélkül cserélje ki a fűrőhegyeket új, vagy pedig megélezett hegyekre. A kopott vagy törött fűrőhegy csúcsok veszélyforrást jelentenek, mert megcsúszhatnak. Ezért ezeket cserélje újakra.

#### 2. A rögzítő csavarok ellenőrzése

Rendszeresen ellenőrizzen minden rögzítő csavart, és ügyeljen rá, hogy azok megfelelően meg legyenek szorítva. Minden meglazult csavart azonnal szorítson meg. Ennek elhanyagolása súlyos veszélyeket hordoz magában.

#### 3. Szerviz

A szerszám gép meghibásodása esetén forduljon a hivatalos Hitachi márkaszervizhez.

#### 4. Szervizelési alkatrészlista

- A: Alkatrész-szám  
B: Kódszám  
C: Használt darabszám  
D: Megjegyzések

### FIGYELEM

Hitachi kéziszerszámok javítását, módosítását és ellenőrzését csak Hitachi Szakszerviz végezheti.

Javítás vagy egyéb karbantartás esetén hasznos ha ezt a szerviz-alkatrész listát a szerszámmal együtt átadjuk a Hitachi szakszervíznek.

A kéziszerszámok üzemeltetése és karbantartása során be kell tartani az egyes országokban érvényben lévő biztonsági rendelkezéseket és szabványokat.

### MÓDOSÍTÁSOK

A Hitachi kéziszerszámok állandó tökéletesítéseken mennek át, hogy alkalmazzon tudják a legújabb műszaki fejlesztések eredményeit.

Éppen ezért egyes alkatrészek (azok kódszámai illetve kivitelí módjai) előzetes bejelentés nélkül megváltozhatnak.

---

**GARANCIA**

---

A Hitachi Power Tools szerszámokra a törvényes/országos előírásoknak megfelelő garanciát vállalunk. A garancia nem vonatkozik a helytelen vagy nem rendeltetésszerű használatból, továbbá a normál mértékűnek számító elhasználódásból, kopásból származó meghibásodásokra, károokra. Reklamáció esetén kérjük, küldje el a - nem szétszerelt - szerszámot a kezelési útmutató végén található GARANCIA BIZONYLATTAL együtt a hivatalos Hitachi szervizközpontba.

---

**MEGJEGYZÉS**

---

A HITACHI folyamatos kutatási és fejlesztési programja következtében az itt szereplő műszaki adatok előzetes bejelentés nélkül változhatnak.

---

## VŠEOBECNÉ BEZPEČNOSTNÍ PŘEDPISY

### UPOZORNĚNÍ!

#### Prostudujte si všechny pokyny

Nedodržování všech níže uvedených pokynů může způsobit úraz elektrickým proudem, vznik požáru a/nebo vážné zranění. Pojem "elektrické nářadí" ve všech níže uvedených upozorněních se vztahuje na elektricky poháněné nářadí připojené (pomocí přívodní šňůry) k elektrické síti nebo na elektrické (bezšňůrové) nářadí poháněné akumulátorem.

### DODRŽUJTE TYTO POKYNY

#### 1) Pracovní prostor

- Udržujte pracovní prostor v čistotě a zajistěte jeho dobré osvětlení.**  
*Neuspořádaný pracovní prostor a neosvětlené plochy mohou být příčinou nehod.*
- Neprovozujte elektrické nářadí ve výbušných prostředích, jako je například prostor s výskytem hořlavých kapalin, plynů nebo prachu.**  
*Při provozu elektrického nářadí vznikají jiskry, které mohou vznítit prach nebo výparu.*
- Zajistěte, aby se při provozu elektrického nářadí nezdržovaly v blízkosti dětí nebo okolostojící osoby.**  
*Odvedení pozornosti může způsobit ztrátu kontroly nad nářadím.*

#### 2) Elektrická bezpečnost

- Zástrčky elektrického nářadí musí odpovídat používané zásuvce.**  
**Nikdy jakýmkoli způsobem neupravujte zástrčku.**  
**Nepoužívejte jakékoli rozvodné zástrčky s uzemněným (ukostřeným) elektrickým nářadím.**  
*Přívodní neupravené zástrčky a vhodné zásuvky snižují nebezpečí úrazu elektrickým proudem.*
- Vyvarujte se kontaktu s uzemněnými nebo ukostřenými plochami, jako jsou např. trubky, radiátory, sporáky a chladničky.**  
*Vzniká zvýšené nebezpečí úrazu elektrickým proudem, pokud je Vaše tělo uzemněné nebo ukostřené.*
- Nevystavujte elektrické nářadí dešti nebo mokřým podmínkám.**  
*Voda, která vnikne do elektrického nářadí, zvyšuje nebezpečí úrazu elektrickým proudem.*
- Nezacházejte s přívodní šňůrou nevhodným způsobem. Nikdy nepoužívejte přívodní šňůru pro nošení, tahání nebo vypořádání elektrického nářadí.**  
**Zajistěte, aby se přívodní šňůra nedostala do kontaktu se zdroji tepla, olejem, ostrými hranami nebo pohyblivými se částmi.**  
*Poškozené nebo zauzené přívodní šňůry zvyšují nebezpečí úrazu elektrickým proudem.*
- Při práci s elektrickým nářadím ve vnějších prostorách používejte prodlužovací šňůru vhodnou pro venkovní použití.**  
*Použití přívodní šňůry vhodné pro venkovní prostředí snižuje nebezpečí úrazu elektrickým proudem.*

#### 3) Bezpečnost osob

- Buďte při práci vždy pozorní, sledujte prováděnou práci a během práce s elektrickým nářadím postupujte rozumně.**  
**Nepoužívejte elektrické nářadí v případě únavy nebo pod vlivem drog, alkoholu nebo léků.**

*Pouhý okamžik nepozornosti při práci s elektrickým nářadím může způsobit vážné zranění.*

- Používejte ochranné pomůcky. Vždy používejte ochranu zraku.**

*Ochranné pomůcky, jako jsou protiprachová maska, obuv s neklouzavou úpravou podrážky, ochranná přilba nebo chrániče sluchu použité pro vhodné podmínky sniží nebezpečí zranění.*

- Zajistěte, aby nedošlo k náhodnému spuštění nářadí. Zabejte, aby vypínač byl před zapojením do sítě v poloze vypnuto.**

*Nošení elektrického nářadí s prstem na vypínači a připojování elektrického nářadí s vypínačem v poloze zapnuto může způsobit nehody.*

- Před zapnutím elektrického nářadí vymontujte všechny seřizovací klíče.**

*Klíč upevněný na otáčející se části elektrického nářadí může způsobit zranění osob.*

- Zajistěte náležitou stabilitu při práci. Během práce je třeba vždy zaujmout náležitý a stabilní postoj.**

*Tím se dosáhne lepšího ovládnutí elektrického nářadí v neočekávaných situacích.*

- Při práci používejte vhodný oděv. Nepoužívejte volný oděv nebo šperky. Zajistěte, aby se Vaše vlasy, oděv nebo rukavice nedostaly do kontaktu s pohyblivými se částmi nářadí.**

*Volný oděv, šperky nebo dlouhé vlasy se mohou zachytit do pohyblivých se částí.*

- Pokud se používají zařízení pro připojení odsávání prachu a sběrných zařízení, zajistěte jejich správné zapojení a použití.**

*Používejte tato zařízení pro snížení nebezpečí, která vznikají v prašném prostředí.*

#### 4) Použití a ošetřování elektrického nářadí

- Netlačte na elektrické nářadí. Pro Váš způsob použití zvolte správné elektrické nářadí.**

*Správné elektrické nářadí provede práci lépe a bezpečněji rychlostí, pro které bylo konstruováno.*

- Nepoužívejte elektrické nářadí, pokud vypínač není funkční.**

*Jakékoli elektrické nářadí, které nelze ovládat vypínačem, je nebezpečné a je třeba je opravit.*

- Při provádění jakýchkoli nastavení, změně příslušenství nebo uskládání elektrického nářadí odpojte vždy zástrčku ze zdroje energie.**

*Tato preventivní bezpečnostní opatření snižují nebezpečí náhodného uvedení elektrického nářadí do chodu.*

- Uložte nepoužívané elektrické nářadí mimo dosah dětí a nedovolte, aby osoby, které nejsou seznámeny s provozem elektrického nářadí a s těmito pokyny, toto elektrické nářadí používaly.**

*Elektrické nářadí je v rukou nevyškoleného uživatele nebezpečné.*

- Provádějte údržbu elektrického nářadí. Zkontrolujte elektrické nářadí, zda je správně seřizené nebo nedochází k vážnutí chodu pohyblivých se částí, zda nejsou nějaké části poškozené a zda nevznikly jakékoli jiné poruchy, které mohou negativně ovlivnit provoz elektrického nářadí.**

*V případě poškození si nechejte elektrické nářadí před použitím opravit.*

*Velký počet nehod je způsobeno nedostatečnou údržbou elektrického nářadí.*

- f) **Udržujte řezné nástroje ostré a čisté.**  
Správným způsobem udržované řezné nástroje s ostrými břity mají menší sklon k uvážnutí a snadněji se při práci ovládají.
- g) **Používejte elektrické nářadí, příslušenství, nástavce nástroje atd. ve shodě s těmito předpisy a způsobem stanoveným pro jednotlivý typ elektrického nářadí a přitom zohledněte pracovní podmínky a druh prováděné práce.**  
Použití elektrického nářadí pro práce odlišné od stanoveného účelu použití může způsobit nebezpečné situace.

## 5) Servis

- a) **Nechejte si provádět servis Vašeho elektrického nářadí kvalifikovaným opraváři a přitom používejte jen originální náhradní díly.**  
Tím se zajistí zachování bezpečnosti elektrického nářadí.

## PREVENTIVNÍ OPATŘENÍ

**Zajistěte, aby děti a nemocné osoby se nezdržovaly v blízkosti.**  
**Pokud se nářadí nepoužívá, je třeba je uskladnit mimo dosah dětí a nemocných osob.**

## PARAMETRY

Model	FD10VB	FD10SB
Napětí (podle oblastí)*	(110V, 115V, 120V, 127V, 220V, 230V, 240V) ∪	
Vstupní příkon	420W*	
Rychlost bez zatížení	0–2800 min <sup>-1</sup>	2800 min <sup>-1</sup>
Kapacita	Ocel	10 mm
	Dřevo	25 mm
Váha (bez napájecího kabelu)	1,4 kg	

\* Zkontrolujte, prosíme, štítek na výrobku. Štítek podléhá změnám v závislosti na oblastech použití.

## POUŽITÍ

### 1. Vrtání různých materiálů

- Vrtání kovů  
Použijte vrták na kovy
- Vrtání dřeva  
Použijte vrták do dřeva (Vrtákem na kovy lze však zhotovit vodicí otvory pro šrouby do dřeva nebo otvory s průměrem menším než 6,5 mm.)

### 2. Dotahování šroubů do dřeva (pouze model FD10VB)

Použijte utahovací nástavec. Pro snadné dotažení použijte šroub s křížovou drážkou.

## PŘED POUŽITÍM

### 1. Zdroj napětí

Ujistěte se, že používaný zdroj napětí splňuje požadavky specifikované na štítku výrobku.

### 2. Spínač

Ujistěte se, že spínač je v poloze vypnuto. Pokud je zástrčka zasunutá v zásuvce elektrického proudu a spínač je v poloze „ON“, nástroj začne okamžitě pracovat, a to může způsobit vážný úraz.

### 3. Prodlužovací kabel

Pokud je pracoviště vzdáleno od zdroje, použijte prodlužovací kabel od správné tloušťky a kapacitě. Je třeba, aby prodlužovací kabel byl co nejkratší.

## BEZPEČNOSTNÍ UPOZORNĚNÍ PŘI POUŽITÍ VRTAČKY

1. Při montáži vložte vrták nebo utahovacího nástavec zcela do vrtákového sklíčidla a pomocí klíče sklíčidla pevně vrtákové sklíčidlo dotáhněte.  
Pokud není montáž provedena náležitým způsobem, může vzniknout nebezpečná situace, neboť vrták se může během provádění práce vysunout nebo uvolnit.
2. Nepoužívejte rukavice vyrobené z materiálu, který by se mohl smotat, jako například bavlna, vlna, tkanina nebo síťovina, atd.
3. Nedotýkejte se vrtáku během provádění práce nebo bezprostředně po jejím ukončení. Vrták se při chodu velmi zahřívá a může způsobit vážné popáleniny.
4. Když odkládáte vrtačku na podlahu, ujistěte se, že je vrtačka zcela uvedena do klidu.
5. Před zahájením vrtání do stěny, podlahy nebo stropu se důkladně přesvědčte, že součásti, jako jsou elektrické kabely nebo vodiče, nejsou skryté uvnitř.
6. Při práci ve výšce dejte pozor na prostor dole.

### 4. Zkontrolujte dotažení vrtákového sklíčidla

Vrtákové sklíčidlo bylo dotaženo ve výrobním závodech, ale před použitím znovu zkontrolujte, zda je v pořádku. Pro dotažení otáčejte vrtákové sklíčidlo ve směru chodu hodinových ručiček.

## ZPŮSOB POUŽITÍ

### 1. Ovládání vypínače

Stisknutím tlačítka vypínače a zatlačením pojistky zůstane vrtačka zapnutá, což je výhodné pro nepřetržitý chod. Pokud chcete vrtačku vypnout, lze pojistku vysunout opětovným stisknutím vypínače.

### 2. Seřízení otáček

[FD10SB]

Maximálních otáček lze dosáhnout zatlačením vypínače.

[FD10VB]

- (1) Otáčky lze nastavit od nuly do maximálních otáček podle míry zatlačení vypínače.
- (2) Maximální otáčky lze nastavit od nuly do 2800 min<sup>-1</sup> otáčením seřizovacího otočného ovládače.
- (3) Otočte seřizovací otočný ovládač ve směru chodu hodinových ručiček pro zvýšení otáček a proti směru chodu hodinových ručiček pro snížení otáček. (Otočte seřizovací otočný ovládač přibližně 1-2/3 otáčky) **(Obr. 1)**



(4) Vypínač lze zajistit pomocí pojistky v jakékoli požadované poloze bez ohledu na otočení seřizovacího otočného ovládače. Pro každou práci zvolte náležitou polohu odpovídající požadovaným otáčkám.

### 3. Ujistěte se o směru otáčení nástavce (Obr. 2)

Nástavec se otáčí ve směru chodu hodinových ručiček (při pohledu ze zadní strany) po stisknutí strany R spinací páčky reverzace. Pro otáčení nástavce proti směru chodu hodinových ručiček se stiskne strana L páčky.

#### POZOR:

Nikdy neměňte směr otáčení nástavce během provozu. Před změnou směru otáčení nástavce vypněte hlavní vypínač.

### 4. Použití jako vrtáčka

#### (1) Montáž vrtáku

Dotáhněte vrták pomocí klíče sklíčidla. Na sklíčidle jsou tři otvory, do kterých se vkládá klíč sklíčidla. Dotáhněte sklíčidlo rovnoměrně postupně ve třech otvorech, dotažení se nesmí provést pouze v jednom otvoru. Vrták lze vyjmout postupem v opačném pořadí, než bylo uvedeno výše. (Obr. 3)

#### (2) Vrtání

##### ① Vrtání hranolu dřeva

○ Přiložte hrot vrtáku k požadované poloze vrtání, držte vrtáčku svisle vůči ploše vrtaného kusu a zapněte vypínač.

○ Pokud vrtáte průchozí otvor v hranolu dřeva, vytáhněte vrtáčku z materiálu hned, jak hrot vrtáku se vysune na opačné straně. Potom vrtaný kus otočte a dokončete vrtání z opačné strany pro dosažení čistého otvoru. (Obr. 4)

Pokud se pod vrtaný hranol dřeva použije další hranol a vrtají se společně, dosáhne se také čistého otvoru. (Obr. 5)

○ Na vrták do dřeva není třeba silně tlačit, neboť proniká do dřeva díky šroubovici u hrotu. I když se použije nadměrné síly, otvor se nevyvrtá rychleji.

##### ② Vrtání kovů

○ V případě, že vrtáte kov pomocí vrtáku na kovy, umístěte nejprve středice důlek v místě vrtání. Tak můžete vrtat kov v pevné poloze, neboť hrot vrtáku nesklouzne.

○ Pokud nanesete na vrták pomocí kartáče nebo starého kartáčku na zuby olej na šicí stroje nebo mýdlovou vodu, vrták bude mít delší životnost.

○ I v případě, že použijete větší síly, než je nezbytné, otvor se nevyvrtá rychleji.

Naopak se poškodí ostří vrtáku. Tím se sníží efektivita práce a zkrátí se životnost nástroje.

#### POZOR:

Zabraňte, aby do motoru vnikla voda, neboť jinak může dojít k poruše motoru a zranění elektrickým proudem.

### 5. Dotahování šroubů do dřeva (FD10VB)

#### (1) Uťahovací nástavec

○ Při dotahování šroubů do dřeva s hlavou s drážkou snadno dojde k vyklouznutí uťahovacího nástavce. Z tohoto důvodu používejte co možná nejčastěji šrouby s hlavou s křížovou drážkou.

○ Zvolte uťahovací nástavec, který odpovídá křížové drážce nebo příčné drážce v hlavě šroubu do dřeva.

#### (2) Vodicí otvor

Pokud se provede vodicí otvor pomocí vrtáku, který je o něco menší než průměr šroubu do dřeva, hranol dřeva se neroztřípne a šroub do dřeva se snadno dotáhne.

#### (3) Uťahování

Vložte šroub do dřeva zlehka do vodicího otvoru, nasadte nástavec do drážky v hlavě šroubu, zapněte vypínač a šroub utáhněte.

### 6. Bezprostředně po provedení práce je třeba postupovat opatrně.

Když odkládáte vrtáčku na prашná místa předtím, než se otáčející se díly zcela zastaví, ujistěte se, že nářadí nenásolá prach a piliny.

## ÚDRŽBA A KONTROLA

### POZOR

Ujistěte, že vypínač je vypnutý, a odpojte zástrčku během provádění údržby a kontroly.

#### 1. Kontrola vrtáků a bitů

Protože použití opotřebeného vrtáku způsobuje poruchy motoru či jeho sníženou účinnost, vyměňte vrták za nový nebo jej vždy naostřete neprodleně poté, co si všimnete jeho otupení. Používejte-li bit s opotřebenou nebo zlomenou špičkou, je to nebezpečné, neboť bit klouže. Vyměňte jej proto za nový.

#### 2. Kontrola šroubů

Pravidelně zkontrolujte všechny šrouby a ujistěte se, že jsou správně utažené. Pokud najdete některé šrouby uvolněné, ihned je utáhněte. Neutažené šrouby mohou vést k vážnému riziku.

#### 3. Servis

V případě poruchy tohoto elektrického nářadí se spojte s Autorizovaným Servisním Střediskem firmy Hitachi.

#### 4. Seznam servisních položek

A: Číslo položky

B: Kód položky

C: Číslo použití

D: Poznámky

### POZOR

Opravy, modifikace a kontroly zařízení Hitachi musí provádět Autorizované servisní středisko Hitachi.

Tento seznam servisních položek bude užitečný, předložíte-li jej s vaším zařízením Autorizovanému servisnímu středisku Hitachi společně s požadavkem na opravu nebo další servis.

Při obsluze a údržbě elektrických zařízení musí být dodržovány bezpečnostní předpisy a normy platné v každé zemi, kde je výrobek používán.

### MODIFIKACE

Výrobky firmy Hitachi jsou neustále zdokonalovány a modifikovány tak, aby se zavedly nejposlednější výsledky výzkumu a vývoje.

Následně, některé díly (např. čísla kódů nebo návrh) mohou být změněny bez předešlého oznámení.

## ZÁRUKA

Ručíme za to, že elektrické nářadí Hitachi splňuje zákonné/místně platné předpisy. Tato záruka nezahrnuje závady nebo poškození vzniklé v důsledku nesprávného použití, hrubého zacházení nebo normálního opotřebení. V případě reklamace zašlete prosím elektrické nářadí v nerozebraném stavu společně se ZÁRUČNÍM LISTEM připojeným na konci těchto pokynů pro obsluhu do autorizovaného servisního střediska firmy Hitachi.

---

**POZNÁMKA**

Vlivem stále pokračujícího výzkumného a vývojového programu HITACHI mohou zde uvedené parametry podléhat změnám bez předchozího upozornění.

---

## GENEL GÜVENLİK KURALLARI

### DİKKAT!

#### Bütün talimatları okuyun

Aşağıda belirtilen talimatların tümünün uygulamaması, elektrik çarpması, yangın ve/veya ciddi yaralanmalara sonuçlanabilir.

Aşağıdaki uyarılarda belirtilen "Elektrikli alet" terimi, işletilen (kablolu) veya (kablesiz) ana elektrik aletlerini kapsar.

### BU TALİMATLARI SAKLAYINIZ

#### 1) Çalışma ortamı

##### a) Çalışma ortamı temiz ve iyi ışıklandırılmış olmalıdır.

Dağınık ve karanlık ortamlar kazanın davetçisidir.

##### b) Yanıcı sıvıların, gazların veya tozların bulunduğu patlayıcı ortamlarda elektrikli aletlerle çalışmayınız.

Elektrikli aletler kıvılcım sıçratabilir ve de gaz tozlarını ateşleyebilir.

##### c) Elektrikli alet kullanırken çocuklardan ve seyircilerden uzak tutun.

Dikkat dağıtıcı şeyler kontrolü kaybetmenize yol açabilir.

#### 2) Elektrik güvenliği

##### a) Elektrikli aletin fişi prize uygun olmalıdır.

Fişi hiçbir şekilde değiştirmeye çalışmayın.

Elektrikli aletin topraklanmış fişinde herhangi bir adaptör kullanmayın.

Değiştirilmemiş fişler ve onlarla uygun prizler elektrik çarpmaya riskini azaltır.

##### b) Boru, radyatör, ocak/fırın ve buzdolabı gibi topraklanmış yüzeylerle vücut temasından sakının.

Vücüdünüzün toprakla temasa geçmesi elektrik çarpmaya riskini artırır.

##### c) Elektrikli aletleri yağmur ve ıslak ortamlara maruz bırakmayın.

Elektrikli aletin içersine su girmesi elektrik çarpmaya riskini artırır.

##### d) Güç kablosuna zarar vermeyin. Elektrikli aleti taşımak, çekmek veya prizden çıkarmak için kabloyu kullanmayın.

Kabloyu kesici veya hareketli parçalardan, sıcak yüzeylerden ve yağdan uzak tutun.

Hasar görmüş veya dolaşmış kablolar elektrik çarpmaya riskini artırır.

##### e) Elektrikli aleti açık alanlarda kullanırken, açık alana özel uzatma kablosu kullanın.

Açık alana özel kablolar elektrik çarpmaya riskini azaltır.

#### 3) Kişisel güvenlik

##### a) Daima tetikte olun, elektrikli aleti kullanırken ne yaptığının farkında ve duyarlı olun.

Elektrikli aleti alkol, ilaç veya uyuşturucu etkisi altındayken veya yorgunken çalıştırmayın.

Elektrikli aleti kullanırken gösterilecek bir saniyelik dikkatsizlik, ciddi yaralanmalara yol açabilir.

##### b) Koruyucu ekipman kullanın. Daima koruyucu gözlük takın.

Toz maskesi, kaymayan emniyet ayakkabısı, sert başlık veya işitme koruyucusu gibi koşullara uygun olan ve yaralanma riskini azaltıcı koruyucu ekipmanlar kullanın.

##### c) Aletin istem dışı çalışmasına karşı önlem alın. Prize takmadan önce şalter düğmesinin kapalı konumda olduğundan emin olun.

Elektrikli aleti pamağınızın şalter üzerinde olduğu halde taşımak veya prize takmak kazanın davetçisidir.

##### d) Elektrikli aleti çalıştırmadan önce ayar anahtarlarını çıkartın.

Elektrikli aletin dönen kısmına takılı kalmış olan bir anahtar, yaralanmalara yol açabilir.

##### e) Fazla uzanmayın. Ayaklarınızın konumuna ve dengeye her zaman dikkat edin.

Böylece beklenmedik bir duruma karşılaştığınızda, elektrikli aleti daha iyi kontrol altında tutmanızı sağlar.

##### f) Uygun çalışma giysisi giyin. Bol giysiler ve takıların kaçınınız. Saçınızı, giysilerinizi ve eldiveninizi hareketli parçalardan uzak tutun.

Bol giysiler, takılar veya uzun saç oynayan parçalara takılabilir.

##### g) Toz toplama bağlantısı için gerekli teçhizat ve bağlantı araçları sağlanmışsa, bunların bağlı olduğundan ve doğru şekilde kullanıldığından emin olun.

Bu teçhizatların kullanılması tozun yaratacağı tehlikeleri azaltacaktır.

#### 4) Elektrikli aletin kullanımı ve bakımı

##### a) Elektrikli aleti zorlamayın. Yapacağınız işe uygun doğru aleti kullanın.

Doğru elektrikli aletin kullanılması işinizi hem kolaylaştıracağı gibi hem de tasarlanmış süratte daha güvenli bir şekilde yapmanızı sağlar.

##### b) Eğer elektrikli aletin şalter düğmesi açılıp kapanmıyorsa, aleti kullanmayın.

Şalter düğmesinden kumanda edilemeyen elektrikli aletler tehlike yaratır ve tamir edilmeleri gerekir.

##### c) Aksesuar değişimlerinde, ayarlamalar sırasında veya elektrikli aleti saklamadan önce elektrik bağlantısını kesin.

Bu gibi önleyici emniyet tedbirleri elektrikli aletin istem dışı çalışmaya riskini azaltır.

##### d) Kullanılmayan elektrikli aletleri çocukların ulaşamayacağı yerlerde tutun. Aleti kullanmasını bilmeyen ve bu talimatlara aşina olmayan kişilere kullanırmayın.

Elektrikli aletler deneyimsiz ve eğitilmemiş kişilerin eline tehlikeli olur.

##### e) Elektrikli aletin bakımını yapın. Hareketli parçaların yapılmamasını, kırık olmamasını, düzensiz hizalanmasını veya aletin işletimini etkileyecek herhangi bir durumun olmadığını kontrol edin.

Çoğu kazaya yetersiz bakımlı elektrikli aletleri neden olur.

##### f) Aletlerinizi keskin ve temiz tutun.

Düzensiz bakımı yapılmış keskin uçlu takımların yapılaşma ihtimali azdır ve de kontrol edilmeleri daha kolaylaşır.

##### g) Elektrikli aleti, aksesuarları ve uçları vs. bu talimatlar doğrultusunda ve o elektrikli aletin amaçlanan kullanımı için, çalışma koşullarını ve de yapılacak işi göz önüne alarak kullanın.

Elektrikli aletin amaçlanan kullanımı dışında kullanılması tehlikeli bir durum yaratabilir.

**5) Servis**

- a) **Elektrikli aleti vasıflı bir kişi tarafından sadece özdeş yedek parçalar kullanarak tamir edilmesini sağlayın.**  
Böylece elektrikli aletin güvenli kullanımını sağlanacaktır.

**ÖNLEM**

**Çocukları ve diğer yeterli güce sahip olmayan kişileri uzak tutun.**

**Kullanılmadığı zamanlarda aleti çocuk ve yeterli güce sahip olmayan kişilerin ulaşamayacağı bir yerde saklayın.**

**MATKABIN KULLANIMIYLA İLGİLİ ÖNLEMLER**

1. Matkap veya tornavida uçlarını mandrene tam olarak takın ve mandren anahtarıyla tam olarak sıkın.

**TEKNİK ÖZELLİKLER**

Model	FD10VB	FD10SB
Voltaj (bölgelere göre)*	(110V, 115V, 120V, 127V, 220V, 230V, 240V) ~	
Güç girişi	420W*	
Yüksüz hız	0–2800 dak <sup>-1</sup>	2800 dak <sup>-1</sup>
Kapasite	Çelik	10 mm
	Ahşap	25 mm
Ağırlık (kordonsuz)	1,4 kg	

\* Bu değer bölgeden bölgeye değişiklik gösterdiği için ürünün üzerindeki plakayı kontrol etmeyi unutmayın.

**UYGULAMALAR****1. Çeşitli malzemelerin delinmesi**

- Metalin delinmesi  
Metalle çalışan matkap ucu kullanın
- Tahtanın delinmesi  
Tahtaıyla çalışan bir matkap ucu kullanın (Ancak, tahta vidalar için açılan kılavuz delikler ve 6,5 mm'den küçük delikler için metalle çalışan matkap ucu kullanın.)

**2. Tahta vidalarının sıkıştırılması (yalnızca FD10VB modelinde)**

Tornavida ucu kullanın. Kolayca sıkıştırmak için Yıldız vida kullanın.

**ALETİ KULLANMADAN ÖNCE****1. Güç kaynağı**

Kullanılan güç kaynağının, ürünün üzerinde bulunan plakada belirtilen güç gerekliliklerine uygun olduğundan emin olun.

**2. Açma/ Kapama anahtarı**

Açma/ kapama anahtarının OFF konumunda olduğundan emin olun. Açma/ kapama anahtarı ON konumundayken aletin fişi prize takılırsa, alet derhal çalışmaya başlar ve ciddi kazalar meydana gelebilir.

**3. Uzatma kablosu**

Çalışma alanı güç kaynağından uzakta olduğunda, yeterli kalınlıkta ve belirtilen gücü kaldıracak bir uzatma kablosu kullanın. Uzatma kablosu olabildiğince kısa tutulmalıdır.

**4. Mandrenin sıkılık durumunu kontrol edin**

Mandren fabrikada sıkılmıştır, ancak kullanmadan önce her şeyin düzgün olup olmadığını kontrol edin. Sıkıştırmak için mandreni saat yönünde çevirin.

Eğer takma işlemi doğru yapılmazsa, matkap ucu çalışma sırasında kayarak veya gevşeyerek çok ciddi tehlikelere neden olabilir.

2. Pamuklu, yün, kumaş veya iplikli gibi kayabilecek malzemeden yapılmış eldivenler takmayın.
3. Çalışma sırasında ve hemen sonrasında matkap ucuna dokunmayın. Uç, çalışma sırasında çok ısındığından ciddi yaralanmalara yol açabilir.
4. Matkapu yere koyacağınız zaman tam olarak kapatıldığından ve çalışmadığından emin olun.
5. Duvara, yere veya tavana delik delmeden önce içerde gömülü elektrik kablosu veya boru hatlarının olup olmadığını kontrol edin.
6. Yüksek bir konumda çalışırken aşağıda olan bitene dikkat edin.

**NASIL KULLANILIR****1. Şalterin çalıştırılması**

Anahtar Şalteri çekerek durdurucuyu ittiğinizde cihazın açık kalma konumu korunacak ve bu da uzun süreli çalıştırmalar için kolaylık sağlayacaktır. Anahtar kapalıyken durdurucu, anahtar şalteri tekrar çekmek suretiyle çıkartılabilir.

**2. Hız ayarı**

[FD10SB]

Maksimum hıza, anahtar Şalteri çekmek yoluyla ulaşılabilir.

[FD10VB]

- (1) Anahtar şaltere hangi oranda basarsanız, hızı, sıfır ile maksimum arasında o oranda ayarlayabilirsiniz.
- (2) Maksimum hız, ayar topuzunu sıfır ile 2800 dak<sup>-1</sup> arasında çevirerek ayarlanabilir.
- (3) Hızı arttırmak için ayar düğmesini saat yönünde, azaltmak için saat tersi yönde çevirin. (Ayar topuzunu ortalama 1-2/3 devir çevirin) (**Şekil 1**)
- (4) Ayar topuzunun ne kadar fazla çevrildiğine bakılmaksızın anahtar, durdurucuyla istenen her konuma kilitlenebilir. Her bir iş için istenen hıza göre doğru bir konum seçin.

**3. Ucun doğru yönde dönüp dönmediğini kontrol edin. (Şekil 2)**

Ters çevirme anahtar kolunu R- tarafına itince uç (arkadan bakınca) saat yönünde dönecektir. Ucu saat yönünün tersine döndürmek için kolun L tarafına basılır.

**DİKKAT:**

Ucun dönüş yönünü çalıştırırken asla değiştirmeyin. Ucun dönüş yönünü değiştirmeden önce güç anahtarını KAPATIN.

## 4. Matkap olarak kullanım

### (1) Matkap ucunun takılması

Matkap ucunu mandren anahtarlarıyla sıkıştırın. Mandren anahtarının sokulacağı üç tane delik bulunmaktadır. Tek bir delikten değil eşit olarak üç deliği birden kullanarak sıkıştırın. Matkap ucu yukarıda sözü edilen metot tersine uygulanarak çıkartılabilir. (Şekil 3)

### (2) Delik nasıl açılır

#### ① Tahtaya delik açmak için

- Matkap ucunu istenen delme konumuna getirin, matkabı iş parçası yüzeyine dik olarak tutun ve düşmeyi açın.
- Tahtada boylu boyunca delik açarken, matkap ucu diğer yüzden çıkar çıkmaz matkabı malzemeden çekin. Ardından düz bir delik elde etmek için iş parçasını ters çevirip delme işlemini karşı taraftan tamamlayın. (Şekil 4)

Delmek istediğiniz tahtanın altına bir başka tahta koyup birlikte deldiğinizde daha iyi bir sonuç elde edersiniz. (Şekil 5)

○ Ahşap matkap ucunun ilerlemesini üzerindeki vida sağladığından onu kuvvette bastırmaya gerek yoktur. Aşırı güç kullanılsa bile delik çabuk delinmeyecektir.

#### ② Metale delik açmak için

- Metalle çalışan bir matkap ucuyla metali delecekseniz, delme konumunu önceden puntalayın. Matkabın ucu kaçmayacağından metali dik bir şekilde delebilirsiniz.
  - Eğer matkap ucuna fırçayla veya eski bir diş fırçasıyla dikiş makinesi yağı veya sabunlu su tatbik ederseniz uç uzun gidecektir.
  - Gereğinden fazla güç de kullanılsa delik çabuk delinmeyecektir.
- Aksine, bu defa matkap ucu hasar görecektir. Bu durum, çalışmaya verimini azaltıp aletin ömrünü kısıltacaktır.

## DİKKAT:

Motorun bozulmasına ve elektrik çarpmasına yol açabileceği için motoru suya maruz bırakmayın.

## 5 Tahta vidası tornavida uçlarının kullanılması (FD10VB)

### (1) Tornavida uç

- Normal başlı vidaları tahtaya vidalarken tornavida uç vida başından kolay çıkar. O nedenle mümkün olduğu kadar yıldız başlı vidalar kullanın.
- Ahşap vidasının düz veya yıldız başına göre bir tornavida uç seçin.

### (2) Kılavuz delik

Eğer kılavuz delik ahşap vidası çapından biraz küçük çapta delinirse tahta çatlamayacak, ahşap vidası da kolay vidalanacaktır.

### (3) Vidalama işlemi

Ahşap vidasını gevşek şekilde kılavuz deliğe yerleştirin, tornavida ucunu vidanın başındaki yarığa takın, anahtarı açın ve vidayı vidalayın.

## 6 İşlemin hemen ardından dikkatli olun

Matkabı, çalışması durmadan elinizden tozlu bir yere bırakırsanız matkap metal talaşı ve tozu içine emecektir. Bu hususa her zaman dikkat edin.

## 1. Matkap uçlarının ve tornavida ucun incelenmesi

Yıpranmış matkap uçlarının kullanılması motorda arızaya ve verimlilikte düşüşe neden olacağından, yıpranma gördüğünüzde geciktirmeden matkap uçlarını yenisiyle değiştirin veya bileyin. Eğer ucu aşınmış veya kırılmış bir tornavida uç kullanıyorsanız bu durum vidanın başından kayacağından tehlike oluşturacaktır. Bu nedenle ucu yenisiyle değiştirin.

## 2. Montaj vidalarının incelenmesi

Tüm montaj vidalarını düzenli olarak inceleyin ve sağlam şekilde sıkılı olduğundan emin olun. Gevşeyen vidaları derhal sıkın. Gevşemiş vidalar ciddi tehlikelere yol açabilir.

## 3. Servis

Alette güç arızası olması durumunda Hitachi Yetkili Servis Merkezine başvurun.

## 4. Servis parçaları listesi

- A: Parça no.
- B: Kod no.
- C: Kullanılan sayı
- D: Açıklamalar

## DİKKAT

Hitachi Güç Takımlarının onarımı, modifikasyonu ve gözden geçirilmesi Hitachi yetkili Servis Merkezi tarafından yapılmalıdır.

Hitachi yetkili Servis Merkezine tamir ya da bakım amacıyla başvurulduğunda Parça Listesinin takım ile birlikte verilmesi faydalı olacaktır.

Güç takımlarının çalıştırılması ve bakımlarının yapılması esnasında her ülke için belirlenen güvenlik düzenlemelerine ve standartlarına uyulması gerekmektedir.

## DEĞİŞİKLİKLER

Hitachi Ağır İş Aletleri en son teknolojik ilerlemelere uygun olarak sürekli değiştirilmekte ve geliştirilmektedir. Dolayısıyla, bazı kısımlarda (örneğin kod numaraları ve/veya tasarım gibi) önceden bildirimde bulunulmadan değişiklik yapılabilir.

## GARANTİ

Hitachi Elektrikli El Aletlerine ülkelere özgü hukuki düzenlemeler çerçevesinde garanti vermekteyiz. Bu garanti, yanlış veya kötü kullanım, normal aşınma ve yıpranmadan kaynaklanan arıza ve hasarları kapsamamaktadır. Şikayet durumunda, Elektrikli El Aleti, sökülmemiş bir şekilde, bu kullanım kılavuzunun sonunda bulunan GARANTİ BELGESİYLE birlikte bir Hitachi yetkili servis merkezine gönderilmelidir.

## NOT:

HITACHI'nin süregelen araştırma ve geliştirme programına bağlı olarak burada belirtilen teknik özelliklerde önceden bildirimde bulunulmadan değişiklik yapılabilir.

## BAKIM VE İNCELEME

### DİKKAT

Bakım ve kontrol sırasında gücü KAPATTIĞINIZDAN ve fişi çektiğinizden emin olun.

**ОБЩИЕ ПРАВИЛА ПО ТЕХНИКЕ БЕЗОПАСНОСТИ****ПРЕДУПРЕЖДЕНИЕ!****Прочтите руководство по эксплуатации**

*Невыполнение всех приведенных ниже положений данного руководства может привести к поражению электрическим током, пожару и/или к серьезной травме. Термин "электроинструмент" в контексте всех приведенных ниже мер предосторожности относится к эксплуатируемому Вами электроинструменту с питанием от сетевой розетки (с сетевым шнуром) или электроинструменту с питанием от аккумуляторной батареи (беспроводному).*

**СОХРАНИТЕ ДАННОЕ РУКОВОДСТВО****1) Рабочее место**

- a) **Поддерживайте чистоту и хорошее освещение на рабочем месте.**

*Беспорядок и плохое освещение на рабочих местах приводит к несчастным случаям.*

- b) **Не используйте электроинструменты во взрывоопасных окружающих условиях, например, в непосредственной близости от огнеопасных жидкостей, горячих газов или легко воспламеняющейся пыли.**

*Электроинструменты порождают искры, которые могут воспалить пыль или испарения.*

- c) **Держите детей и наблюдателей на безопасном расстоянии во время эксплуатации электроинструмента.**

*Отвлечение внимания может стать для Вас причиной потери управления.*

**2) Электробезопасность**

- a) **Штепсельные вилки электроинструментов должны соответствовать сетевой розетке. Никогда не модифицируйте штепсельную вилку никоим образом.**

*Не используйте никакие адаптерные переходники с заземленными (замкнутыми на землю) электроинструментами.*

*Немодифицированные штепсельные вилки и соответствующие им сетевые розетки уменьшат опасность поражения электрическим током.*

- b) **Не прикасайтесь телом к заземленным поверхностям, например, к трубопроводам, радиаторам, кухонным плитам и холодильникам.**

*Если Ваше тело соприкоснется с заземленными поверхностями, возрастает опасность поражения электрическим током.*

- c) **Не подвергайте электроинструменты воздействию дождя или влаги.**

*При попадании воды в электроинструмент возрастает опасность поражения электрическим током.*

- d) **Правильно обращайтесь со шнуром. Никогда не переносите электроинструмент, взявшись за шнур, не тяните за шнур, и не дергайте за шнур с целью отсоединения электроинструмента от сетевой розетки. Располагайте шнур подальше от источников тепла, нефтепродуктов, предметов с острыми кромками и движущихся деталей.**

*Поврежденные или запутанные шнуры увеличивают опасность поражения электрическим током.*

- e) **При эксплуатации электроинструмента вне помещений, используйте удлинительный шнур, предназначенный для использования вне помещения.**

*Использование шнура, предназначенного для работы вне помещений, уменьшит опасность поражения электрическим током.*

**3) Личная безопасность**

- a) **Будьте готовы к неожиданным ситуациям, внимательно следите за своими действиями и руководствуйтесь здравым смыслом при эксплуатации электроинструмента.**

*Не используйте электроинструмент, когда Вы устали или находитесь под влиянием наркотиков, алкоголя или лекарственных препаратов.*

*Мгновенная потеря внимания во время эксплуатации электроинструментов может привести к серьезной травме.*

- b) **Используйте защитное снаряжение. Всегда надевайте средство защиты глаз.**

*Защитное снаряжение, например, противопылевой респиратор, защитная обувь с нескользкой подошвой, защитный шлем-каска или средства защиты органов слуха, используемые для соответствующих условий, уменьшат травмы.*

- c) **Избегайте непреднамеренного включения двигателя. Убедитесь в том, что выключатель находится в положении выключения перед подсоединением к сетевой розетке.**

*Переноска электроинструментов, когда Вы держите палец на выключателе, или подсоединение электроинструментов к сетевой розетке, когда выключатель будет находиться в положении включения, приводит к несчастным случаям.*

- d) **Снимите все регулировочные или гаечные ключи перед включением электроинструмента.**

*Гаечный или регулировочный ключ, оставленный прикрепленным к вращающейся детали электроинструмента может привести к получению личной травмы.*

- e) **Не теряйте устойчивость. Все время имейте надежную точку опоры и сохраняйте равновесие.**

*Это поможет лучше управлять электроинструментом в непредвиденных ситуациях.*

- f) **Одевайтесь надлежащим образом. Не надевайте просторную одежду или ювелирные изделия. Держите волосы, одежду и перчатки как можно дальше от движущихся частей.**

*Просторная одежда, ювелирные изделия или длинные волосы могут попасть в движущиеся части.*

- g) **Если предусмотрены устройства для присоединения приспособлений для отвода и сбора пыли, убедитесь в том, что они присоединены и используются надлежащим образом.**

*Использование данных устройств может уменьшить опасности, связанные с пылью.*

## 4) Эксплуатация и обслуживание электроинструментов

**а) Не перегружайте электроинструмент. Используйте надлежащий для Вашего применения электроинструмент.**

*Надлежащий электроинструмент будет выполнять работу лучше и надежнее в том режиме работы, на который он рассчитан.*

**б) Не используйте электроинструмент с неисправным выключателем, если с его помощью нельзя будет включить и выключить электроинструмент.**

*Каждый электроинструмент, которым нельзя управлять с помощью выключателя, будет представлять опасность и его будет необходимо отремонтировать.*

**с) Отсоедините штепсельную вилку от источника питания перед началом выполнения какой-либо из регулировок, перед сменой принадлежности или хранением электроинструментов.**

*Такие профилактические меры безопасности уменьшат опасность непреднамеренного включения двигателя электроинструмента.*

**д) Храните неиспользуемые электроинструменты в недоступном для детей месте, и не разрешайте людям, не знающим как обращаться с электроинструментом или не изучившим данное руководство, работать с электроинструментом.**

*Электроинструменты представляют опасность в руках неподготовленных пользователей.*

**е) Содержите электроинструменты в исправности. Проверьте, нет ли несоосности или заедания движущихся частей, повреждения деталей или какого-либо другого обстоятельства, которое может повлиять на функционирование электроинструментов.**

*При наличии повреждения, отремонтируйте электроинструмент перед его эксплуатацией. Большое количество несчастных случаев связано с плохим обслуживанием электроинструментов.*

**ф) Содержите режущие инструменты остро заточенными и чистыми.**

*Содержащиеся в исправности надлежащим образом режущие инструменты с острыми режущими кромками будут меньше заедать, и будут легче в управлении.*

**g) Используйте электроинструмент, принадлежности, насадки и т.п., в соответствии с данным руководством и определенным типом электроинструмента для выполнения работы по его прямому назначению, принимая во внимание условия и объем выполняемой работы.**

*Использование электроинструмента для выполнения работ не по прямому назначению может привести к опасной ситуации.*

## 5) Обслуживание

**а) Обслуживание Вашего электроинструмента должно выполняться квалифицированным представителем ремонтной службы с использованием только идентичных запасных частей.**

*Это обеспечит сохранность и безопасность электроинструмента.*

## МЕРА ПРЕДОСТОРОЖНОСТИ

**Держите подальше от детей и слабых людей. Если инструменты не используются, их следует хранить в недоступном для детей и слабых людей месте.**

## МЕРЫ ПРЕДОСТОРОЖНОСТИ ПРИ ЭКСПЛУАТАЦИИ ЭЛЕКТРОДРЕЛИ

1. При установке сверла или муфты привода полностью вставьте их в сверлильный патрон, и с помощью патронного гаечного ключа затяните до упора сверлильный патрон.  
*Если установка не выполнена надлежащим образом, существует опасность того, что сверло может соскользнуть или ослабиться во время эксплуатации.*
2. Не надевайте перчатки, сделанные из скатывающегося материала, например, хлопка, шерсти, байки или нитяные перчатки и т.п.
3. Не прикасайтесь к головке сверла во время или сразу после эксплуатации. Головка сильно нагревается во время эксплуатации и может привести к серьезным ожогам.
4. Кладя сверло на пол, убедитесь, что оно не работает.
5. Перед сверлением стены, пола или потолка, убедитесь, что в середине нет электрических кабелей или кабелепроводов.
6. Во время работы на высоте следите за направлением вниз.

## ТЕХНИЧЕСКИЕ ХАРАКТЕРИСТИКИ

Модель		FD10VB	FD10SB
Напряжение (по регионам)*		(110В, 115В, 120В, 127В, 220В, 230В, 240В) ∪	
Потребляемая мощность		420Вт*	
Число оборотов холостого хода		0–2800 мин <sup>-1</sup>	2800 мин <sup>-1</sup>
Диаметр бурения	Сталь	10 мм	
	Дерево	25 мм	
Вес (без шнура)		1,4 кг	

\* Проверьте паспортную табличку на изделии, так как она меняется в зависимости от региона

## ОБЛАСТЬ ПРИМЕНЕНИЯ

### 1. Сверление разных материалов

- Сверление металла  
Используйте сверло для работы с металлом
- Сверление дерева  
Используйте сверло для работы с деревом (но для образования направляющих отверстий для шурупов или отверстий для дерева, или образования отверстий меньших чем 6,5 мм, используйте сверло для работы с металлом)

### 2. Зажимные винты для дерева (Только модель FD10VB)

Используйте муфту привода. Для более легкой затяжки используйте винты Phillips.

## ПОДГОТОВКА К ЭКСПЛУАТАЦИИ

### 1. Источник электропитания

Проследите за тем, чтобы используемый источник электропитания соответствовал требованиям к источнику электропитания, указанным на типовой табличке изделия.

### 2. Переключатель "Вкл./Выкл."

Убедитесь в том, что переключатель находится в положении "Выкл.". Если вы вставляете штепсель в розетку, а переключатель находится в положении "Вкл.", инструмент немедленно заработает, что может стать причиной серьезной травмы.

### 3. Удлинитель

Когда рабочая площадка удалена от источника электропитания, пользуйтесь удлинителем. Удлинитель должен иметь требуемую площадь поперечного сечения и обеспечивать работу инструмента заданной мощности. Разматывайте удлинитель только на реально необходимую длину для данного конкретного применения длины.

### 4. Проверьте затяжку сверлильного патрона

Сверлильный патрон был затянут на фабрике, но проверьте его еще раз перед использованием. Поверните сверлильный патрон по часовой стрелке, чтоб затянуть его.

## ИСПОЛЬЗОВАНИЕ

### 1. Управление переключателем

Натягивая триггер переключателя, нажмите заглушку, это позволит удерживать включенное состояние и обеспечит непрерывную работу. При выключение заглушка отсоединяется с помощью повторного натягивания триггера.

### 2. Настройка скорости

[FD10SB]

Максимальная скорость достигается с помощью натягивания переключателя спускового механизма [FD10VB]

- (1) Скорость регулируется от нуля до максимальной показателя согласно степени натяжки переключателя спускового механизма.
- (2) Максимальная скорость регулируется от нуля до 2800 мин<sup>-1</sup>. с помощью вращения ручки настройки.
- (3) Поверните ручку настройки по часовой стрелке, чтобы увеличить скорость и против часовой стрелки, чтобы уменьшить ее. (Поверните ручку настройки соответственно на 1-2/3 оборота) (Рис. 1)
- (4) Переключатель можно заблокировать с помощью заглушки в необходимой позиции независимо от того, насколько было прокручена ручка настройки. Выберите необходимую позицию согласно необходимой скорости для каждой операции.

### 3. Подтвердите направление вращения головки сверла (Рис. 2)

Головка сверла вращается против часовой стрелки (видно с задней стороны) с помощью нажима правой части рычага переключателя.

Для поворота головки против часовой стрелки нажмите на L-часть рычага.

### ВНИМАНИЕ:

Никогда не меняйте направление вращения головки во время эксплуатации.

Выключите переключатель электропитания перед тем, как менять направление вращения головки.

### 4. Для использования в качестве дрели

#### (1) Установка сверла

Затяните сверло с помощью патронного гаечного ключа. Есть три отверстия, в которые необходимо вставить патронный гаечный ключ. Затяните их с одинаковой силой по очереди, не затягивая их всего лишь в одно отверстие. Сверло можно вытянуть обратным методом, чем описано выше. (Рис. 3)

#### (2) Процесс сверления

##### ① Использовать для сверления пиломатериала.

○ Поставьте сверло в необходимую позицию сверление, удерживайте сверло перпендикулярно к поверхности рабочего места и включите переключатель.

○ Во время сверления сквозного отверстия в пиломатериале, выньте сверло с материала, как только его кончик вылезет с противоположной стороны. После чего, переверните рабочее место и завершите сверление с другой стороны, чтоб получить чистое отверстие. (Рис. 4)

Если под пиломатериалом, который необходимо просверлить, используется дополнительный пиломатериал, который тоже необходимо просверлить, получится единое отверстие. (Рис. 5)

○ Нет необходимости нажимать сильно на сверло для работы с деревом, поскольку оно проникает внутрь с помощью винта. Даже применение дополнительной силы не ускорит образования отверстия.

##### ② Использовать для сверления металла.

○ В случае сверления металлических предметов с помощью сверла для работы с металлом, сначала необходимо установить кернер в позицию сверления. Теперь возможно устойчиво просверлить металл, поскольку кончик сверла не соскальзывает.

○ Нанесение масла для швейных машин или мыльной воды на сверло с помощью щетки или зубной щетки это продлит эксплуатационный срок службы сверла.

○ Даже применение дополнительной силы не ускорит образования отверстия.

Кроме того, это повредит край сверла. Это приведет к снижению эксплуатационной мощности и сократит эксплуатационный срок службы сверла.

### ВНИМАНИЕ:

Не допускайте попадания воды на мотор, так как это может привести к сбою и вызвать электрический шок.

### 5. Для использования ходовых винтов для дерева (FD10VB)

#### (1) Муфта привода

○ При запуске прорезной головки винта для дерева муфта привода легко отсоединяется. Поэтому используйте винт с головкой для дерева с крестообразным вырезом как можно чаще.



- Выберите муфту привода, которая подходит к желобку с крестообразным вырезом и прорезному желобку винта для дерева.
  - (2) **Направляющее отверстие**  
Если направляющее отверстие делается с помощью сверла, меньшего, чем диаметр винта для дерева, пиломатериал не расщиплится, а винт для дерева будет легко управляться.
  - (3) **Процедура запуска**  
Легко поместите винт для дерева в направляющее отверстие, разместите дрель на желобке головки винта и запустите винт.
- 6. Придерживайтесь правил безопасности во время прекращения работы.**  
Помещая сверло в пыльное место при неполной остановке вращающихся частей, убедитесь, что машина не всасывает пыль и стружку.

## ТЕХНИЧЕСКОЕ ОБСЛУЖИВАНИЕ И ПРОВЕРКА

### ВНИМАНИЕ

Убедитесь, что вы отключили питание и отсоединили штепсель во время проведения технического обслуживания и проверки.

- 1. Осмотр сверла электродрели и муфты привода**  
Так как использование изношенных сверел приводит к неисправности двигателя и к снижению эффективности, заменяйте сверла новыми или затачивайте сверла сразу же, после обнаружения признаков износа. Использование сверла электродрели, кончик которого износился или поломался, может представлять опасность, поскольку оно скользит. Замените его новым.
- 2. Проверка установленных винтов**  
Регулярно проверяйте все установленные на инструменте винты, следите за тем, чтобы они были как следует затянуты. Немедленно затяните винт, который окажется ослабленным. Невыполнение этого правила грозит серьезной опасностью.
- 3. Обслуживание**  
В случае повреждения электроинструмента обратитесь в авторизованный сервисный центр Hitachi.
- 4. Порядок записей по техобслуживанию**  
A: Пункт №  
B: Код №  
C: Количество применений  
D: Замечания

### ПРЕДОСТЕРЕЖЕНИЕ

Ремонт, модификацию и осмотр механизированного инструмента фирмы Hitachi следует проводить в авторизованном сервисном центре Hitachi.

Этот перечень запасных частей пригодится при представлении его вместе с инструментом в авторизованный сервисный центр Hitachi с запросом на ремонт или прочее обслуживание.

При работе и обслуживании механизированных инструментов нужно соблюдать правила и стандарты безопасности, действующие в каждой данной стране.

### ЗАМЕЧАНИЕ

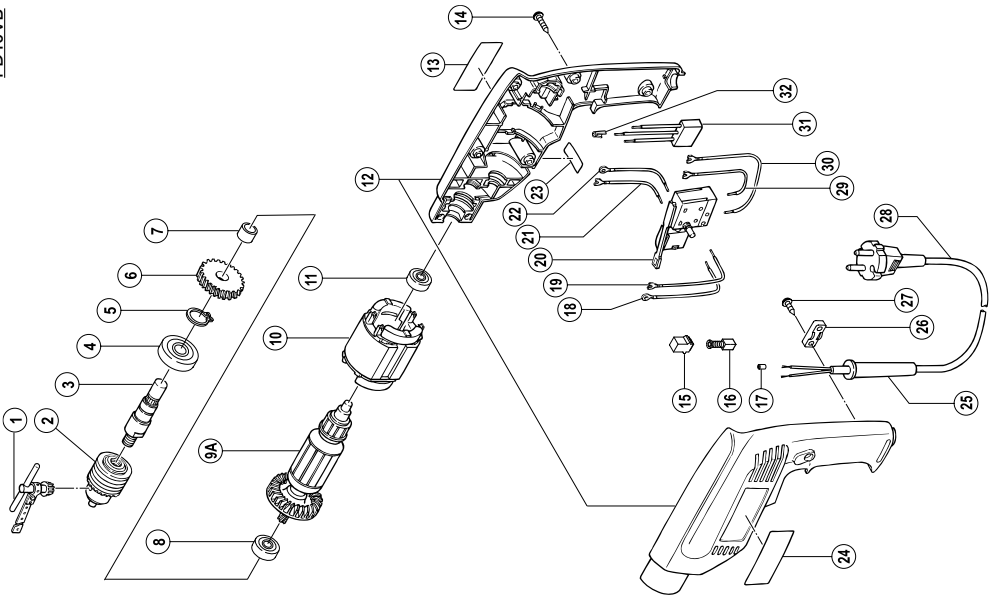
Фирма HITACHI непрерывно работает над совершенствованием своих изделий, поэтому мы сохраняем за собой право на внесение изменений в технические характеристики, упомянутые в данной инструкции по эксплуатации, без предупреждения об этом.

## ГАРАНТИЯ

Мы гарантируем соответствие автоматических инструментов Hitachi нормативным/национальным положениям. Данная гарантия не распространяется на дефекты или ущерб, возникший вследствие неправильного использования или ненадлежащего обращения, а также нормального износа. В случае подачи жалобы отправляйте автоматический инструмент в неразобранном состоянии вместе с ГАРАНТИЙНЫМ СЕРТИФИКАТОМ, который находится в конце инструкции по обращению, в авторизованный центр обслуживания Hitachi.

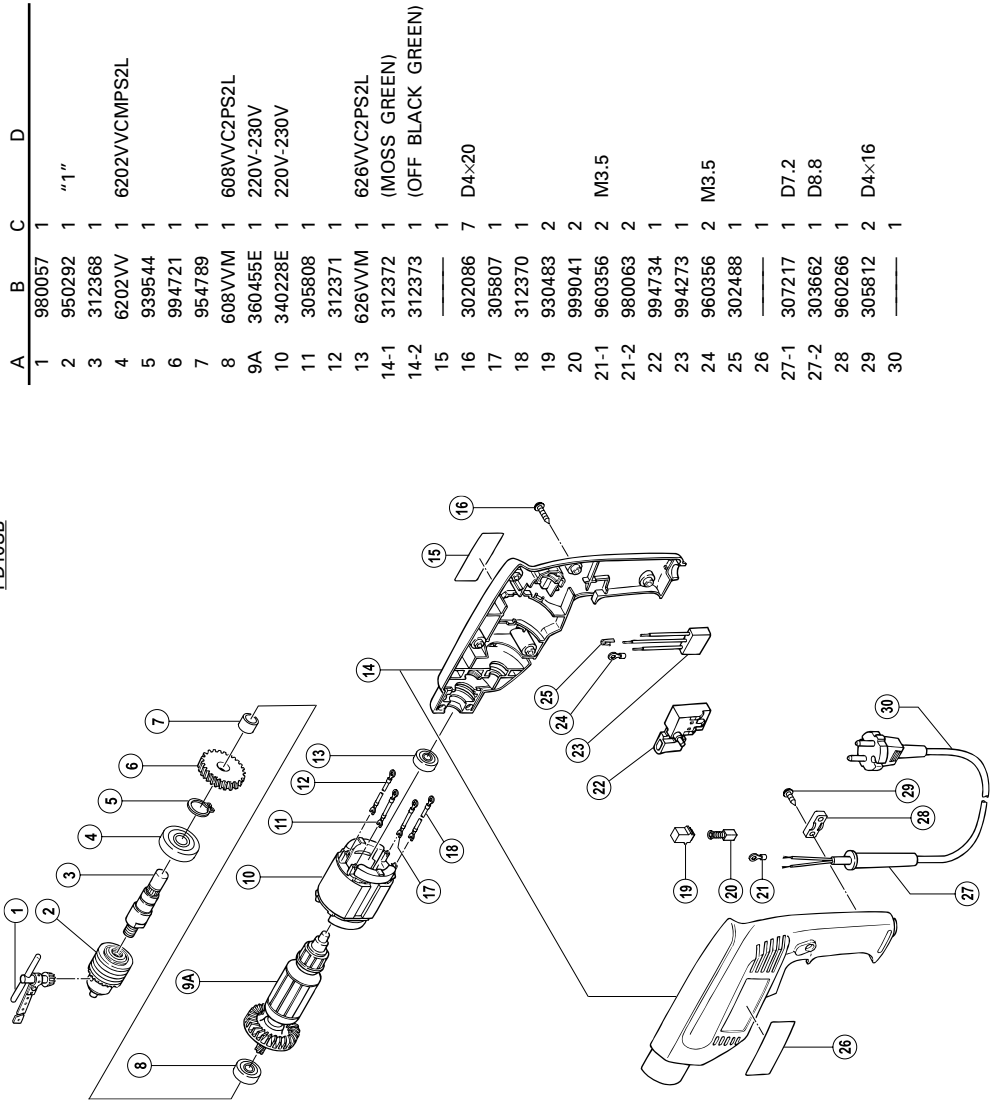
## ПРИМЕЧАНИЕ

На основании постоянных программ исследования и развития, HITACHI оставляют за собой право на изменение указанных здесь технических данных без предварительного уведомления.



A	B	C	D
1	980057	1	
2	950292	1	"1"
3	312368	1	
4	6202VV	1	6202VVCMP2SL
5	939544	1	
6	994721	1	
7	954789	1	
8	608VVM	1	608VVC2PS2L
9A	360456E	1	220V-230V
10	340228E	1	220V-230V
11	626VVM	1	626VVC2PS2L
12-1	312386	1	(MOSS GREEN)
12-2	312387	1	(OFF BLACK GREEN)
13	—	1	
14	302086	7	D4×20
15	930483	2	
16	999041	2	
17	981373	2	
18	303665	1	
19	303656	1	
20	312388	1	
21	303657	1	
22	303666	1	
23	—	1	
24	—	1	
25-1	307217	1	D7.2
25-2	303662	1	D8.8
26	960266	1	
27	305812	2	D4×16
28	—	1	
29	303654	1	
30	303655	1	
31	994273	1	
32	302488	1	

FD10SE



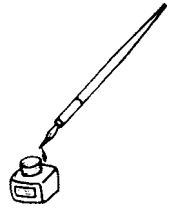
A	B	C	D
1	980057	1	
2	950292	1	"1"
3	312368	1	
4	6202VV	1	6202VVCMP2S2L
5	939544	1	
6	994721	1	
7	954789	1	
8	608VVM	1	608VVC2PS2L
9A	360455E	1	220V-230V
10	340228E	1	220V-230V
11	305808	1	
12	312371	1	
13	626VVM	1	626VVC2PS2L
14-1	312372	1	(MOSS GREEN)
14-2	312373	1	(OFF BLACK GREEN)
15	---	1	
16	302086	7	D4x20
17	305807	1	
18	312370	1	
19	930483	2	
20	999041	2	
21-1	960356	2	M3.5
21-2	980063	2	
22	994734	1	
23	994273	1	
24	960356	2	M3.5
25	302488	1	
26	---	1	
27-1	307217	1	D7.2
27-2	303662	1	D8.8
28	960266	1	
29	305812	2	D4x16
30	---	1	

<p>English</p> <p><b><u>GUARANTEE CERTIFICATE</u></b></p> <ol style="list-style-type: none"> <li>① Model No.</li> <li>② Serial No.</li> <li>③ Date of Purchase</li> <li>④ Customer Name and Address</li> <li>⑤ Dealer Name and Address (Please stamp dealer name and address)</li> </ol>	<p>Magyar</p> <p><b><u>GARANCIA BIZONYLAT</u></b></p> <ol style="list-style-type: none"> <li>① Típuszám</li> <li>② Sorozatszám</li> <li>③ A vásárlás dátuma</li> <li>④ A Vásárló neve és címe</li> <li>⑤ A Kereskedő neve és címe (Kérjük ide elhelyezni a Kereskedő nevének és címének pecsétjét)</li> </ol>
<p>Deutsch</p> <p><b><u>GARANTIESCHEIN</u></b></p> <ol style="list-style-type: none"> <li>① Modell-Nr.</li> <li>② Serien-Nr.</li> <li>③ Kaufdatum</li> <li>④ Name und Anschrift des Kunden</li> <li>⑤ Name und Anschrift des Händlers (Bitte mit Namen und Anschrift des Handlers abstempeln)</li> </ol>	<p>Čeština</p> <p><b><u>ZÁRUČNÍ LIST</u></b></p> <ol style="list-style-type: none"> <li>① Model č.</li> <li>② Série č.</li> <li>③ Datum nákupu</li> <li>④ Jméno a adresa zákazníka</li> <li>⑤ Jméno a adresa prodejce (Prosíme o razítko se jménem a adresou prodejce)</li> </ol>
<p>Ελληνικά</p> <p><b><u>ΠΙΣΤΟΠΟΙΗΤΙΚΟ ΕΓΓΥΗΣΗΣ</u></b></p> <ol style="list-style-type: none"> <li>① Αρ. Μοντέλου</li> <li>② Αύξων Αρ.</li> <li>③ Ημερομηνία αγοράς</li> <li>④ Όνομα και διεύθυνση πελάτη</li> <li>⑤ Όνομα και διεύθυνση μεταπωλητή (Παρακαλούμε να χρησιμοποιηθεί σφραγίδα)</li> </ol>	<p>Türkçe</p> <p><b><u>GARANTİ SERTİFİKASI</u></b></p> <ol style="list-style-type: none"> <li>① Model No.</li> <li>② Seri No.</li> <li>③ Satın Alma Tarihi</li> <li>④ Müşteri Adı ve Adresi</li> <li>⑤ Bayi Adı ve Adresi (Lütfen bayi adını ve adresini kaşe olarak basın)</li> </ol>
<p>Polski</p> <p><b><u>GWARANCJA</u></b></p> <ol style="list-style-type: none"> <li>① Model</li> <li>② Numer seryjny</li> <li>③ Data zakupu</li> <li>④ Nazwa klienta i adres</li> <li>⑤ Nazwa dealera i adres (Pieczęć punktu sprzedaży)</li> </ol>	<p>Русский</p> <p><b><u>ГАРАНТИЙНЫЙ СЕРТИФИКАТ</u></b></p> <ol style="list-style-type: none"> <li>① Модель №</li> <li>② Серийный №</li> <li>③ Дата покупки</li> <li>④ Название и адрес заказчика</li> <li>⑤ Название и адрес дилера (Пожалуйста, внесите название и адрес дилера)</li> </ol>

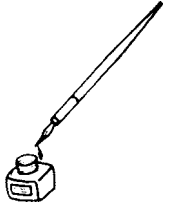
# HITACHI

①	
②	
③	
④	
⑤	











 **Hitachi Koki Co., Ltd.**

608  
Code No. C99071891  
Printed in China