

**Makita**<sup>®</sup>

## **2-Speed Hammer Drill**

Instruction Manual

## **2-Gang Schlagbohrmaschine**

Betriebsanleitung

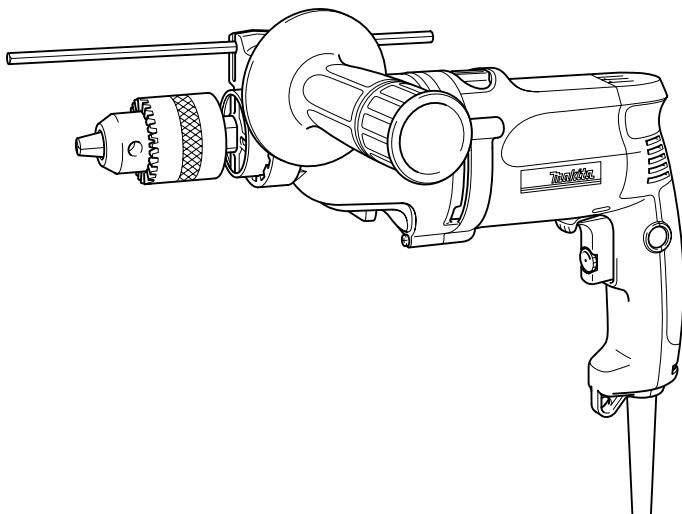
## **Dwubiegowa wiertarka udarowa**

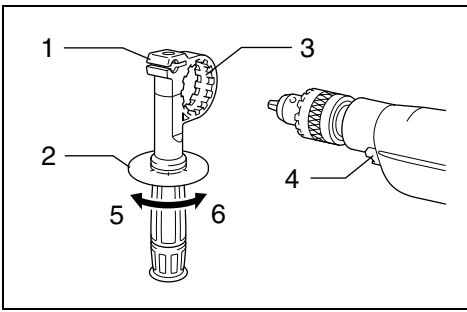
Instrukcja obsługi

## **2-скоростная отбойная дрель**

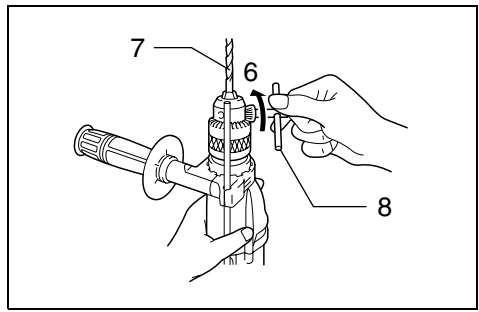
Инструкция по эксплуатации

**HP2050**  
**HP2050F**  
**HP2051**  
**HP2051F**

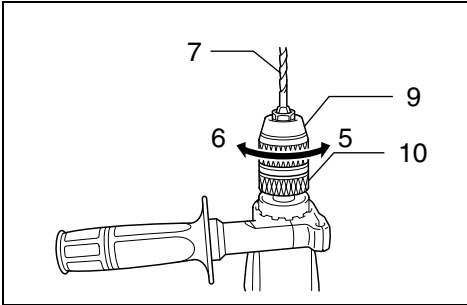




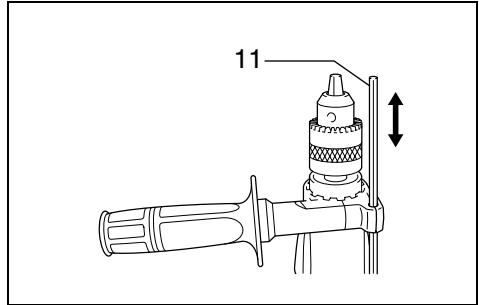
1



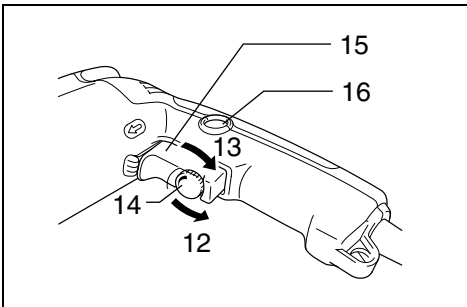
2



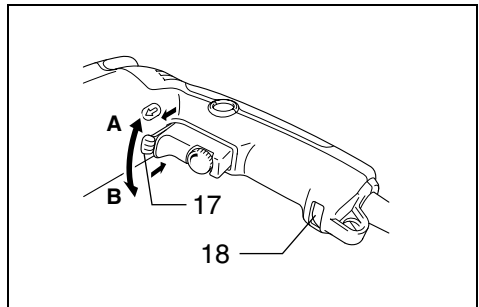
3



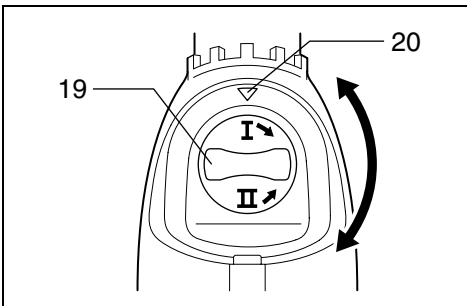
4



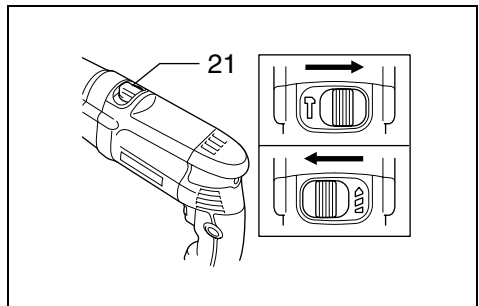
5



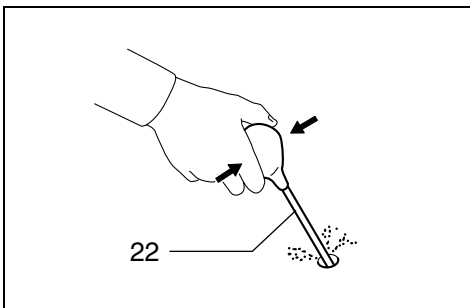
6



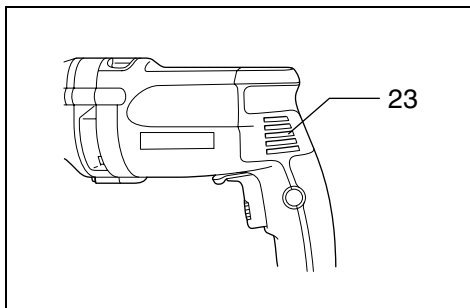
7



8



9



10

### Symbols

The following show the symbols used for the tool. Be sure that you understand their meaning before use.

### Symbole

Die folgenden Symbole werden für die Maschine verwendet. Machen Sie sich vor der Benutzung unbedingt mit ihrer Bedeutung vertraut.

### Symbole

Poniższe symbole używane są do opisu urządzenia. Przed użyciem należy upewnić się, że rozumie się ich znaczenie.

### Символы

Следующие объяснения показывают символы, используемые для инструмента. Убедитесь перед использованием, что Вы понимаете их значение.



- Read instruction manual.
- Bitte Betriebsanleitung lesen.
- Przeczytaj instrukcję obsługi.
- Прочитайте инструкцию по эксплуатации.



- DOUBLE INSULATION
- DOPPELT SCHUTZISOLIERT
- PODWÓJNA IZOLACJA
- ДВОЙНАЯ ИЗОЛЯЦИЯ

Explanation of general view

1 Grip base	9 Sleeve	17 Reversing switch lever
2 Side grip (auxiliary handle)	10 Ring	18 Lamp
3 Teeth	11 Depth gauge	19 Speed change knob
4 Protrusions	12 Lower	20 Arrow
5 Loosen	13 Higher	21 Action mode changing lever
6 Tighten	14 Speed control screw	22 Blow-out bulb
7 Bit	15 Switch trigger	23 Vent holes
8 Chuck key	16 Lock button	

Model	HP2050/HP2050F	HP2051/HP2051F
Max. capacities		
Concrete		
Tungsten-carbide tipped bit .....	High: 20 mm	20 mm
Steel .....	High: 8 mm	8 mm
	Low: 13 mm	13 mm
Wood .....	High: 5 mm	25 mm
	Low: 40 mm	40 mm
No load speed (min <sup>-1</sup> ) .....	High: 0 – 2,900	0 – 2,900
	Low: 0 – 1,200	0 – 1,200
Blows per minute .....	High: 0 – 58,000	0 – 58,000
	Low: 0 – 24,000	0 – 24,000
Overall length .....	362 mm	360 mm
Net weight .....	2.3 kg	2.3 kg

- Due to our continuing programme of research and development, the specifications herein are subject to change without notice.
- Note: Specifications may differ from country to country.

**Intended use**

The tool is intended for impact drilling in brick, concrete and stone as well as for drilling without impact in wood, metal, ceramic and plastic.

**Power supply**

The tool should be connected only to a power supply of the same voltage as indicated on the nameplate, and can only be operated on single-phase AC supply. They are double-insulated in accordance with European Standard and can, therefore, also be used from sockets without earth wire.

**SAFETY INSTRUCTIONS**

**Warning! When using electric tools, basic safety precautions should always be followed to reduce the risk of fire, electric shock and personal injury, including the following. Read all these instructions before attempting to operate this product and save these instructions.**

**For safe operation:**

- 1. Keep work area clean**  
Cluttered areas and benches invite injuries.
- 2. Consider work area environment**  
Don't expose power tools to rain. Don't use power tools in damp or wet locations. Keep work area well lit. Don't use power tools in presence of flammable liquids or gases.

- 3. Guard against electric shock**  
Prevent body contact with grounded surfaces (e.g. pipes, radiators, ranges, refrigerators).
- 4. Keep children away**  
Do not let visitors contact tool or extension cord. All visitors should be kept away from work area.
- 5. Store idle tools**  
When not in use, tools should be stored in dry, high, or locked-up place, out of the reach of children.
- 6. Don't force tool**  
It will do the job better and safer at the rate for which it was intended.
- 7. Use right tool**  
Don't force small tools or attachments to do the job of a heavy duty tool. Don't use tools for purposes not intended; for example, don't use circular saw for cutting tree limbs or logs.
- 8. Dress properly**  
Do not wear loose clothing or jewelry. They can be caught in moving parts. Rubber gloves and non-skid footwear are recommended when working outdoors. Wear protective hair covering to contain long hair.
- 9. Use safety glasses and hearing protection**  
Also use face or dust mask if cutting operation is dusty.
- 10. Connect dust extraction equipment**  
If devices are provided for the connection of dust extraction and collection facilities, ensure these are connected and properly used.

## 11. Don't abuse cord

Never carry tool by cord or yank it to disconnect it from receptacle. Keep cord from heat, oil and sharp edges.

## 12. Secure work

Use clamps or a vise to hold work. It's safer than using your hand and it frees both hands to operate tool.

## 13. Don't overreach

Keep proper footing and balance at all times.

## 14. Maintain tools with care

Keep tools sharp and clean for better and safer performance. Follow instructions for lubricating and changing accessories. Inspect tool cords periodically and, if damaged, have repaired by authorized service facility. Inspect extension cords periodically and replace if damaged. Keep handles dry, clean and free from oil and grease.

## 15. Disconnect tools

When not in use, before servicing, and when changing accessories such as blades, bits and cutters.

## 16. Remove adjusting keys and wrenches

Form the habit of checking to see that keys and adjusting wrenches are removed from tool before turning it on.

## 17. Avoid unintentional starting

Don't carry plugged-in tool with finger on switch. Be sure switch is off when plugging in.

## 18. Outdoor use extension cords

When tool is used outdoors, use only extension cords intended for use outdoors and so marked.

## 19. Stay alert

Watch what you are doing. Use common sense. Do not operate tool when you are tired.

## 20. Check damaged parts

Before further use of the tool, a guard or other part that is damaged should be carefully checked to determine that it will operate properly and perform its intended function. Check for alignment of moving parts, binding of moving parts, breakage of parts, mounting, and any other conditions that may affect its operation. A guard or other part that is damaged should be properly repaired or replaced by an authorized service center unless otherwise indicated elsewhere in this instruction manual. Have defective switches replaced by and authorized service center. Do not use tool if switch does not turn it on and off.

## 21. Warning

The use of any other accessory or attachment other than recommended in this operating instruction or the catalog may present a risk of personal injury.

## 22. Have your tool repaired by an expert

This electric appliance is in accordance with the relevant safety rules. Repairing of electric appliances may be carried out only by experts otherwise it may cause considerable danger for the user.

## ADDITIONAL SAFETY RULES

ENB002-1

1. **Hold tools by insulated gripping surfaces when performing an operation where the cutting tool may contact hidden wiring or its own cord. Contact with a "live" wire will make exposed metal parts of the tool "live" and shock the operator.**
2. **Always be sure you have a firm footing. Be sure no one is below when using the tool in high locations.**
3. **Hold the tool firmly with both hands. Always use the side grip.**
4. **Keep hands away from moving parts.**
5. **Do not leave the tool running. Operate the tool only when hand-held.**
6. **Do not touch the bit or the workpiece immediately after operation; they may be extremely hot and could burn your skin.**

## SAVE THESE INSTRUCTIONS.

## OPERATING INSTRUCTIONS

### Installing side grip (auxiliary handle) (Fig. 1)

#### CAUTION:

Always be sure that the tool is switched off and unplugged before installing or removing the side grip.

Always use the side grip to ensure operating safety. Install the side grip so that the teeth on the grip fit in between the protrusions on the tool barrel. Then tighten the grip by turning clockwise at the desired position. It may be swung 360° so as to be secured at any position.

### Installing or removing drill bit (Fig. 2 & 3)

#### CAUTION:

Always be sure that the tool is switched off and unplugged before installing or removing the bit.

#### For HP2050, HP2050F

To install the bit, place it in the chuck as far as it will go. Tighten the chuck by hand. Place the chuck key in each of the three holes and tighten clockwise. Be sure to tighten all three chuck holes evenly. To remove the bit, turn the chuck key counterclockwise in just one hole, then loosen the chuck by hand. After using the chuck key, be sure to return it to the original position.

#### For HP2051, HP2051F

Hold the ring and turn the sleeve counterclockwise to open the chuck jaws. Place the bit in the chuck as far as it will go. Hold the ring firmly and turn the sleeve clockwise to tighten the chuck. To remove the bit, hold the ring and turn the sleeve counterclockwise.

### Depth gauge (Fig. 4)

The depth gauge is convenient for drilling holes of uniform depth. Loosen the side grip and insert the depth gauge into the hole in the grip base. Adjust the depth gauge to the desired depth and tighten the side grip.

#### NOTE:

The depth gauge cannot be used at the position where the depth gauge strikes against the gear housing.

## Switch action (Fig. 5)

### CAUTION:

Before plugging in the tool, always check to see that the switch trigger actuates properly and returns to the "OFF" position when released.

To start the tool, simply pull the switch trigger. Tool speed is increased by increasing pressure on the switch trigger. Release the switch trigger to stop. For continuous operation, pull the switch trigger and then push in the lock button. To stop the tool from the locked position, pull the switch trigger fully, then release it.

A speed control screw is provided so that maximum tool speed can be limited (variable). Turn the speed control screw clockwise for higher speed, and counterclockwise for lower speed.

## Lighting up the lamps (HP2050F, HP2051F)

### CAUTION:

Do not look in the light or see the source of light directly.

To turn on the lamp, pull the trigger. Release the trigger to turn it off.

### NOTE:

Use a dry cloth to wipe the dirt off the lens of lamp. Be careful not to scratch the lens of lamp, or it may lower the illumination.

## Reversing switch action (Fig. 6)

This tool has a reversing switch to change the direction of rotation. Move the reversing switch lever to the ← position (A side) for clockwise rotation or to the → position (B side) for counterclockwise rotation.

### CAUTION:

- Always check the direction of rotation before operation.
- Use the reversing switch only after the tool comes to a complete stop. Changing the direction of rotation before the tool stops may damage the tool.

## Speed change knob (Fig. 7)

Two speed ranges can be preselected with the speed change knob. Turn the speed change knob so that the arrow on the tool body points toward the "I" position on the knob for low speed or "II" position for high speed. If it is hard to turn the knob, first turn the chuck slightly in either direction and then turn the knob again.

### CAUTION:

- Use the speed change knob only after the tool comes to a complete stop. Changing the tool speed before the tool stops may damage the tool.
- Always set the speed change knob to the correct position. If you operate the tool with the speed change knob positioned halfway between the "I" and "II" position, the tool may be damaged.

## Selecting the action mode (Fig. 8)

This tool has an action mode change lever. For rotation with hammering, slide the action mode change lever to the right (⌚ symbol). For rotation only, slide the action mode change lever to the left (⌚ symbol).

### CAUTION:

Always slide the action mode change lever all the way to your desired mode position. If you operate the tool with the lever positioned halfway between the mode symbols, the tool may be damaged.

## OPERATION

### Hammer drilling operation

When drilling in concrete, granite, tile, etc., move the action mode change lever to the position of ⌚ symbol to use "rotation with hammering" action. Be sure to use a tungsten-carbide tipped bit. Do not apply more pressure when the hole becomes clogged with chips or particles. Instead, run the tool at an idle, then remove the bit partially from the hole. By repeating this several times, the hole will be cleaned out. After drilling the hole, use the blow-out bulb to clean the dust out of the hole. (Fig. 9)

### Drilling operation

When drilling in wood, metal or plastic materials, move the action mode change lever to the position of ⌚ symbol to use "rotation only" action.

### Drilling in wood

When drilling in wood, the best results are obtained with wood drills equipped with a guide screw. The guide screw makes drilling easier by pulling the bit into the workpiece.

### Drilling in metal

To prevent the bit from slipping when starting a hole, make an indentation with a center-punch and hammer at the point to be drilled. Place the point of the bit in the indentation and start drilling. Use a cutting lubricant when drilling metals. The exceptions are iron and brass which should be drilled dry.

### CAUTION:

- Pressing excessively on the tool will not speed up the drilling. In fact, this excessive pressure will only serve to damage the tip of your bit, decrease the tool performance and shorten the service life of the tool.
- There is a tremendous force exerted on the tool/bit at the time of hole break through. Hold the tool firmly and exert care when the bit begins to break through the workpiece.
- A stuck bit can be removed simply by setting the reversing switch to reverse rotation in order to back out. However, the tool may back out abruptly if you do not hold it firmly.
- Always secure small workpieces in a vise or similar hold-down device.

## MAINTENANCE

### CAUTION:

Always be sure that the tool is switched off and unplugged before carrying out any work on the tool.

### Cleaning vent holes (Fig. 10)

Periodically clean the vent holes to prevent them from being clogged with dust, dirt or the like.

To maintain product safety and reliability, repairs, maintenance or adjustment should be carried out by a Makita Authorized Service Center.

### **Noise and Vibration**

The typical A-weighted noise levels are  
sound pressure level: 97 dB (A)  
sound power level: 110 dB (A)  
– Wear ear protection. –

The typical weighted root mean square acceleration value is 6 m/s<sup>2</sup>.

### **EC-DECLARATION OF CONFORMITY**

We declares that our sole responsibility that this product is in compliance with the following standards or standardized documents,

HD400, EN50144, EN55014, EN61000  
in accordance with Council Directives, 73/23/EEC, 89/336/EEC and 98/37/EC.

*Yasuhiko Kanzaki* **CE 2001**



Director

**MAKITA INTERNATIONAL EUROPE LTD.**

Michigan Drive, Tongwell, Milton Keynes,  
Bucks MK15 8JD, ENGLAND

## Übersicht

1 Griffbasis	9 Werkzeugverriegelung	17 Drehrichtungsumschalter
2 Zusatzhandgriff (Seitengriff)	10 Klemmring	18 Lampe
3 Innenverzahnung	11 Tiefenanschlag	19 Drehzahl-Umschaltknopf
4 Außenverzahnung	12 Niedriger	20 Pfeil
5 Lösen	13 Höher	21 Betriebsart-Umschalthebel
6 Festziehen	14 Drehzahl-Einstellrad	22 Ausbläser
7 SDS-Plus-Bohrer	15 Elektronikschalter	23 Ventilationsöffnungen
8 Bohrfutterschlüssel	16 Schalterarretierung	

## TECHNISCHE DATEN

Modell	HP2050/HP2050F	HP2051/HP2051F
Max. Bohrleistungen Beton		
HM-bestückter Bohrer .....	1.Gang: 20 mm	20 mm
Stahl .....	1.Gang: 8 mm	8 mm
	2.Gang: 13 mm	13 mm
Holz .....	1.Gang: 25 mm	25 mm
	2.Gang: 40 mm	40 mm
Leerlaufdrehzahl (min <sup>-1</sup> ) .....	1.Gang: 0 – 2 900	0 – 2 900
	2.Gang: 0 – 12 00	0 – 1 200
Schlagzahl.....	1.Gang: 0 – 58 000	0 – 58 000
	2.Gang: 0 – 24 000	0 – 24 000
Gesamtlänge .....	362 mm	360 mm
Nettogewicht.....	2,3 kg	2,3 kg

- Wir behalten uns vor, Änderungen im Zuge der Entwicklung und des technischen Fortschritts ohne vorherige Ankündigung vorzunehmen.
- Hinweis: Die technischen Daten können von Land zu Land abweichen.

### Vorgesehene Verwendung

Die Maschine ist für Schlagbohren in Ziegel, Beton und Stein sowie für Bohren in Holz, Metall, Keramik und Kunststoff vorgesehen.

### Stromversorgung

Die Maschine darf nur an die auf dem Typenschild angegebene Spannung angeschlossen werden und arbeitet nur mit Einphasen-Wechselspannung. Sie ist entsprechend den Europäischen Richtlinien doppelt schutzisoliert und kann daher auch an Steckdosen ohne Erdungskabel angeschlossen werden.

## SICHERHEITSHINWEISE

**Achtung! Beim Gebrauch von Elektrowerkzeugen sind zum Schutz gegen elektrischen Schlag, Verletzung und Brandgefahr folgende grundsätzliche Sicherheitsmaßnahmen zu beachten. Lesen und beachten Sie diese Hinweise, bevor Sie das Gerät benutzen.**

- 1. Halten Sie Ihren Arbeitsbereich in Ordnung**  
Unordnung im Arbeitsbereich ergibt Unfallgefahr.
- 2. Berücksichtigen Sie Umgebungseinflüsse**  
Setzen sie Elektrowerkzeuge nicht dem Regen aus. Benützen Sie Elektrowerkzeuge nicht in feuchter oder nasser Umgebung. Sorgen Sie für gute Beleuchtung. Benützen Sie Elektrowerkzeuge nicht in Nähe von brennbaren Flüssigkeiten oder Gasen.

### 3. Schützen Sie sich vor elektrischem Schlag

Vermeiden Sie Körperberührung mit geerdeten Teilen, zum Beispiel Rohren, Heizkörpern, Herden, kühltschränken.

### 4. Halten Sie Kinder fern!

Lassen Sie andere Personen nicht das Werkzeug oder Kabel berühren, halten Sie sie von Ihrem Arbeitsbereich fern.

### 5. Bewahren Sie Ihre Werkzeuge sicher auf

Unbenutzte Werkzeuge sollten in trockenem, verschlossenem Raum und für Kinder nicht erreichbar aufbewahrt werden.

### 6. Überlasten Sie Ihr Werkzeug nicht

Sie arbeiten besser und sicherer im angegebenen Leistungsbereich.

### 7. Benützen Sie das richtige Werkzeug

Verwenden Sie keine zu schwachen Werkzeuge oder Vorsatzgeräte für schwere Arbeiten.

Benützen Sie Werkzeuge nicht für Zwecke und Arbeiten, Wofür sie nicht bestimmt sind; zum Beispiel benützen Sie keine Handkreissäge, um Bäume zu fällen oder Äste zu schneiden.

### 8. Tragen Sie geeignete Arbeitskleidung

Tragen Sie keine weite Kleidung oder Schmuck. Sie können von beweglichen Teilen erfaßt werden. Bei Arbeiten im Freien sind Gummihandschuhe und rutschfestes Schuhwerk empfehlenswert. Tragen Sie bei langen Haaren ein Haarnetz.

### 9. Schutzbrille und Gehörschutz tragen

Verwenden Sie eine Atemmaske bei stauberzeugenden Arbeiten.



**10. Schließen Sie eine Staubabsaugvorrichtung an**

Wenn Geräte für den Anschluß von Staubabsaug- und sammelvorrichtungen ausgelegt sind, sorgen Sie dafür, daß diese angeschlossen und korrekt benutzt werden.

**11. Zweckentfremden Sie nicht das Kabel**

Tragen Sie das Werkzeug nicht am Kabel, und benutzen Sie es nicht, um den Stecker aus der Steckdose zu ziehen. Schützen Sie das Kabel vor Hitze, Öl und scharfen Kanten.

**12. Sichern Sie das Werkstück**

Benutzen Sie Spannvorrichtungen oder einen Schraubstock, um das Werkstück festzuhalten. Es ist damit sicherer gehalten als mit Ihrer Hand und ermöglicht die Bedienung der Maschine mit beiden Händen.

**13. Überdehnen Sie nicht Ihren Standbereich**

Vermeiden Sie abnormale Körperhaltung. Sorgen Sie für sicheren Stand, und halten Sie jederzeit das Gleichgewicht.

**14. Pflegen Sie Ihre Werkzeuge mit Sorgfalt**

Halten Sie Ihre Werkzeuge scharf und sauber, um gut und sicher zu arbeiten. Befolgen Sie die Wartungsvorschriften und die Hinweise für Werkzeugwechsel. Kontrollieren Sie regelmäßig den Stecker und das Kabel, und lassen Sie diese bei Beschädigung von einem anerkannten Fachmann erneuern.

Kontrollieren Sie Verlängerungskabel regelmäßig und ersetzen Sie beschädigte. Halten Sie Handgriffe trocken und frei von Öl und Fett.

**15. Ziehen Sie den Netzstecker**

Bei Nichtgebrauch, vor der Wartung und beim Werkzeugwechsel, wie zum Beispiel Sägeblatt, Bohrer und Maschinenwerkzeugen aller Art.

**16. Lassen Sie keine Werkzeugschlüssel stecken**

Überprüfen Sie vor dem Einschalten, daß die Schlüssel und Einstellwerkzeuge entfernt sind.

**17. Vermeiden Sie unbeabsichtigten Anlauf**

Tragen Sie keine an das Stromnetz angeschlossene Werkzeuge mit dem Finger am Schalter. Vergewissern Sie sich, daß der Schalter beim Anschluß an das Stromnetz ausgeschaltet ist.

**18. Verlängerungskabel im Freien**

Verwenden Sie im Freien nur dafür zugelassene und entsprechend gekennzeichnete Verlängerungskabel.

**19. Seien Sie stets aufmerksam**

Beobachten Sie Ihre Arbeit. Gehen Sie vernünftig vor. Verwenden Sie das Werkzeug nicht, wenn Sie unkonzentriert sind.

**20. Kontrollieren Sie Ihr Gerät auf Beschädigungen**

Vor weiterem Gebrauch des Werkzeugs die Schutzeinrichtungen oder leicht beschädigte Teile sorgfältig auf ihre einwandfreie und bestimmungsgemäße Funktion überprüfen. Überprüfen Sie, ob die Funktion beweglicher Teile in Ordnung ist, ob sie nicht klemmen oder ob Teile beschädigt sind. Sämtliche Teile müssen richtig montiert sein und alle Bedingungen erfüllen, um den einwandfreien Betrieb des Gerätes zu gewährleisten.

Beschädigte Schutzvorrichtungen und Teile sollen sachgemäß durch eine Kundendienstwerkstatt repariert oder ausgewechselt werden, soweit nichts anderes in den Betriebsanleitungen angegeben ist. Beschädigte Schalter müssen bei einer Kundendienstwerkstatt ersetzt werden. Benutzen Sie keine Werkzeuge, bei denen sich der Schalter nicht ein und ausschalten läßt.

**21. Achtung!**

Zu Ihrer eigenen Sicherheit, benutzen Sie nur Zubehör und Zusatzgeräte, die in der Bedienungsanleitung angegeben oder vom Werkzeughersteller empfohlen oder angegeben werden. Der Gebrauch anderer als der in der Bedienungsanleitung oder im Katalog empfohlenen Einsatzwerkzeuge oder Zubehöre kann eine persönliche Verletzungsgefahr für Sie bedeuten.

**22. Reparaturen nur vom Elektrofachmann**

Dieses Elektrowerkzeug entspricht den einschlägigen Sicherheitsbestimmungen. Reparaturen dürfen nur von einer Elektrofachkraft ausgeführt werden, andernfalls können Unfälle für den Betreiber entstehen.

**ZUSÄTZLICHE**

**SICHERHEITSBESTIMMUNGEN**

- 1. Halten Sie die Maschine nur an den isolierten Griffflächen, wenn Sie Arbeiten ausführen, bei denen die Gefahr besteht, dass verborgene Kabel oder das eigene Kabel angebohrt werden. Bei Kontakt mit einem stromführenden Kabel werden die freiliegenden Metallteile der Maschine ebenfalls stromführend, so dass der Benutzer einen elektrischen Schlag erleiden kann.**
- 2. Achten Sie stets auf sicheren Stand. Vergewissern Sie sich bei Einsatz der Maschine an hochgelegenen Arbeitsplätzen, dass sich keine Personen darunter aufhalten.**
- 3. Die Maschine sicher mit beiden Händen festhalten. Stets den Zusatzhandgriff verwenden.**
- 4. Halten Sie die Hände von rotierenden Teilen fern.**

5. **Lassen Sie die Maschine nicht unbeaufsichtigt laufen. Benutzen Sie die Maschine nur mit Handhaltung.**
6. **Vermeiden Sie eine Berührung des Bohreinsatzes oder des Werkstücks unmittelbar nach der Bearbeitung, weil sie dann noch sehr heiß sind und Hautverbrennungen verursachen können.**

## **DIESE HINWEISE SORGFÄLTIG AUFBEWAHREN.**

### **BEDIENUNGSHINWEISE**

#### **Installieren des Seitengriffs (Zusatzgriffs)**

##### **(Abb. 1)**

##### **VORSICHT:**

Vergewissern Sie sich vor der Montage oder Demontage des Seitengriffs stets, dass die Maschine ausgeschaltet und vom Stromnetz getrennt ist.

Den Griff in der gewünschten Arbeitsposition mit der Innenverzahnung auf die Außenverzahnung des Maschinengehäuses stecken und durch Rechtsdrehung des Griffstücks festziehen. Der Zusatzhandgriff kann um 360° geschwenkt und in jeder beliebigen Stellung arretiert werden.

#### **Montage und Demontage**

##### **von Einsatzwerkzeugen (Abb. 2 u. 3)**

##### **VORSICHT:**

Vergewissern Sie sich vor der Montage bzw. Demontage eines Einsatzwerkzeuges grundsätzlich, daß die Maschine abgeschaltet und der Netzstecker gezogen ist.

##### **Für HP2050 und HP2050F**

Das Einsatzwerkzeug so weit wie möglich in das Bohrfutter einsetzen. Das Bohrfutter von Hand festziehen. Den Bohrfutterschlüssel in jede der drei Bohrfutter-Bohrungen einsetzen und im Uhrzeigersinn festziehen. An allen drei Bohrfutter-Bohrungen gleichmäßig spannen.

Zum Entfernen eines Einsatzwerkzeuges den Bohrfutterschlüssel in einer Bohrfutter-Bohrung gegen den Uhrzeigersinn drehen. Danach kann das Bohrfutter von Hand gelöst werden. Den Bohrfutterschlüssel nach Verwendung wieder in die dafür vorgesehene Halterung an der Schlagbohrmaschine einsetzen.

##### **Für HP2051 und HP2051F**

Halten Sie den Klemmring fest und drehen Sie die Werkzeugverriegelung entgegen dem Uhrzeigersinn, um die Bohrfutterbacken zu öffnen. Führen Sie das Einsatzwerkzeug bis zum Anschlag in das Spannfutter ein. Halten Sie den Klemmring fest und drehen Sie die Werkzeugverriegelung im Uhrzeigersinn, um das Bohrfutter festzuziehen. Zum Entfernen des Einsatzwerkzeuges halten Sie den Klemmring und drehen die Werkzeugverriegelung entgegen dem Uhrzeigersinn.

#### **Bohrtiefenbegrenzung (Abb. 4)**

Die Bohrtiefe kann über den Tiefenanschlag eingestellt werden. Dazu lösen Sie den Zusatzhandgriff und führen den Tiefenanschlag in die Bohrung am Griff ein. Stellen Sie den Tiefenanschlag auf die gewünschte Bohrtiefe und ziehen anschließend den Zusatzhandgriff wieder fest.

##### **HINWEIS:**

Bei Positionierung des Tiefenanschlags gegen das Getriebegehäuse kann dieser nicht verwendet werden.

#### **Schalterfunktion (Abb. 5)**

##### **VORSICHT:**

Vor dem Anschließen der Maschine an das Stromnetz stets überprüfen, ob der Elektronikschalter ordnungsgemäß funktioniert und beim Loslassen in die AUS-Stellung zurückkehrt.

Die Drehzahl erhöht sich durch verstärkte Druckausübung auf den Elektronikschalter. Zum Einschalten drücken Sie den Elektronikschalter. Zum Ausschalten lassen Sie den Schalter los. Für Dauerbetrieb drücken Sie den Elektronikschalter und gleichzeitig die Schalterarretierung. Zum Ausschalten des Dauerbetriebs den Elektronikschalter drücken und wieder loslassen.

Die Maschine ist mit einem Drehzahl-Einstellrad zur Begrenzung der maximalen Maschinengeschwindigkeit (variabel) ausgestattet. Drehen Sie das Drehzahl-Einstellrad zum Erhöhen der Drehzahl nach rechts und zum Verringern der Drehzahl nach links.

#### **Einschalten der Lampen (HP2050F und HP2051F)**

##### **VORSICHT:**


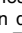
Blicken Sie nicht direkt in das Licht oder die Lichtquelle.

Betätigen Sie den Ein-Aus-Schalter zum Einschalten der Lampe. Lassen Sie den Ein-Aus-Schalter zum Ausschalten der Lampe los.

##### **HINWEIS:**

Wischen Sie Schmutz auf der Linse der Lampe mit einem trockenen Tuch ab. Achten Sie sorgfältig darauf, dass Sie die Linse der Lampe nicht verkratzen, weil sich sonst die Lichtstärke verringert.

#### **Drehrichtungsumschalter (Abb. 6)**

Diese Maschine besitzt einen Drehrichtungsumschalter. Stellen Sie den Drehrichtungs-Umschalthebel für Rechtsdrehung auf die Stellung  (Seite A) oder für Linksdrehung auf die Stellung  (Seite B).

##### **VORSICHT:**

- Prüfen Sie stets die Drehrichtung, bevor Sie mit der Arbeit beginnen.
- Betätigen Sie den Drehrichtungsumschalter erst, nachdem die Maschine völlig zum Stillstand gekommen ist. Durch Umschalten der Drehrichtung bei noch laufender Maschine kann die Maschine beschädigt werden.

### **Drehzahl-Umschaltknopf (Abb. 7)**

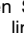

Zwei Drehzahlbereiche können mit dem Drehzahl-Umschaltknopf vorgewählt werden. Drehen Sie den Drehzahl-Umschaltknopf so, dass der Pfeil auf dem Maschinengehäuse für niedrige Drehzahl auf die Position I , und für hohe Drehzahl auf die Position II zeigt.

Falls sich der Knopf nur schwer drehen lässt, drehen Sie das Bohrfutter erst in beide Richtungen, bevor Sie den Knopf erneut drehen.

#### **VORSICHT:**

- Betätigen Sie den Drehzahl-Umschaltknopf erst, nachdem die Maschine völlig zum Stillstand gekommen ist. Durch Umschalten der Drehzahl bei noch laufender Maschine kann die Maschine beschädigt werden.
- Rasten Sie den Drehzahl-Umschaltknopf stets korrekt in die jeweilige Position ein. Wird die Maschine bei einer Zwischenstellung des Drehzahl-Umschaltknopfes zwischen den Positionen " I " und " II " betrieben, kann sie beschädigt werden.

### **Wahl der Betriebsart (Abb. 8)**


Diese Maschine besitzt einen Betriebsart-Umschalthebel. Schieben Sie den Betriebsart-Umschalthebel für Schlagbohren nach rechts (Symbol ). Schieben Sie den Betriebsart-Umschalthebel für Bohren nach links (Symbol ).

#### **VORSICHT:**

Schieben Sie den Betriebsart-Umschalthebel immer bis zum Anschlag auf die gewünschte Position. Wird die Maschine bei einer Zwischenstellung des Hebels zwischen den Betriebsartpositionen betrieben, kann sie beschädigt werden.

## **BETRIEB**

### **Schlagbohrbetrieb**

Schieben Sie den Betriebsart-Umschalthebel zum Bohren in Beton, Granit, Fliesen usw. zur Position des Symbols , um die Betriebsart "Schlagbohren" zu verwenden. Verwenden Sie unbedingt einen Bohrer mit Hartmetallspitze. Üben Sie keinen stärkeren Druck aus, wenn das Bohrloch mit Spänen oder Bohrmehl zugesetzt wird. Lassen Sie statt dessen die Maschine leer laufen, und ziehen Sie dann den Bohrer teilweise aus dem Bohrloch heraus. Durch mehrmaliges Wiederholen dieses Vorgangs wird das Bohrloch ausgeräumt. Blasen Sie den Staub nach dem Bohren des Lochs mit einer Ausblaspipette aus dem Loch. **(Abb. 9)**

### **Bohrbetrieb**

Schieben Sie den Betriebsart-Umschalthebel zum Bohren in Holz, Metall oder Kunststoff zur Position des Symbols , um die Betriebsart "Bohren" zu verwenden.

### **Bohren in Holz**

Beim Bohren in Holz lassen sich die besten Ergebnisse mit Holzbohrern, die mit einer Gewindespitze ausgestattet sind, erzielen. Die Gewindespitze erleichtert das Bohren, da sie den Bohrer in das Werkstück hineinzieht.

### **Bohren in Metall**

Damit der Bohrer beim Anbohren nicht verläuft, ist die zu bohrende Stelle mit einem Körner anzukörnen. Dann den Bohrer in die Vertiefung setzen und die Maschine einschalten. Beim Bohren von Metall ein Schneidöl verwenden. NE-Metalle werden allerdings ohne Zugabe von Schneidemulsionen bearbeitet.

#### **VORSICHT:**

- Ein zu starker Druck auf die Maschine bewirkt keine Beschleunigung der Bohrleistung. Ein zu hoher Schnittdruck führt zu einer Beschädigung der Bohrer Spitze und damit zu Verringerung der Bohrerstandzeit und Überanspruchung der Maschine.
- Beim Austritt des Bohrers aus dem Werkstück wirkt ein hohes Rückdrehmoment auf die Maschine. Deshalb die Maschine gut festhalten und den Vorschub verringern, wenn der Bohrer durch das Werkstück dringt.
- Kleine Werkstücke stets in einem Schraubstock einspannen oder mit einer Schraubzwinde sichern.
- Ein feststehender Bohrer läßt sich durch Umschalten der Drehrichtung auf Linkslauf wieder herausdrehen. Die Maschine ist gut festzuhalten, da im Linkslauf ein hohes Rückdrehmoment auf die Maschine auftritt.

## **WARTUNG**

#### **VORSICHT:**

Vor Arbeiten an der Maschine vergewissern Sie sich, daß der Schalter in der Position OFF und der Netzstecker gezogen ist.

### **Reinigen der Ventilationsöffnungen (Abb. 10)**

Reinigen Sie die Ventilationsöffnungen von Zeit zu Zeit, um Verstopfung durch Staub, Schmutz und dergleichen zu verhüten.

Zur Gewährleistung der Produktsicherheit und -zuverlässigkeit sind Reparaturen, Wartungsarbeiten und Einstellungen von einer Makita-Service-Station auszuführen.

### **Geräusch- und Vibrationsentwicklung**

Die typischen A-bewerteten Geräuschpegel betragen:

Schalldruckpegel: 97 dB (A)

Schalleistungspegel: 110 dB (A)

– Gehörschutz tragen. –

Der gewichtete Effektivwert der Beschleunigung beträgt  $6 \text{ m/s}^2$ .

### **CE-KONFORMITÄTSERKLÄRUNG**

Hiermit erklären wir unter unserer alleinigen Verantwortung, dass dieses Produkt gemäß den Ratsdirektiven

73/23EWG, 89/336/EWG und 98/37/EG mit den folgenden Normen bzw. Normendokumenten übereinstimmt:

HD400, EN50144, EN55014, EN61000.

*Yasuhiko Kanzaki* **CE 2001**



Direktor

**MAKITA INTERNATIONAL EUROPE LTD.**

Michigan Drive, Tongwell, Milton Keynes,  
Bucks MK15 8JD, ENGLAND

**Wyjaśnienia dotyczące urządzenia i jego użycia**

1 Podstawa uchwytu	10 Pierścień	18 Lampka
2 Uchwyt boczny (pomocniczy)	11 Miernik głębokości	19 Pokrętko zmiany prędkości
3 Zęby	12 Niższa prędkość	20 Strzałka
4 Występy	13 Wyższa prędkość	21 Dźwignia zmiany sposobu pracy
5 Odkręcanie	14 Śruba regulacji prędkości	22 Gruszka do wydmuchiwania pyłu
6 Zakręcanie	15 Spust włącznika	23 Otwory wentylacyjne
7 Wiertło	16 Przycisk pracy ciągłej	
8 Klucz do zacisku	17 Dźwignia przełącznika zmiany kierunku	
9 Tuleja		

**DANE TECHNICZNE**

Model	HP2050/HP2050F	HP2051/HP2051F
Maksymalna zdolność wiercenia		
Beton		
Wiertło z wierzchołkiem z węgla wolframu .....	Wysoka prędkość: 20 mm	20 mm
Stal .....	Wysoka prędkość: 8 mm	8 mm
	Niska prędkość: 13 mm	13 mm
Drewno .....	Wysoka prędkość: 25 mm	25 mm
	Niska prędkość: 40 mm	40 mm
Prędkość bez obciążenia (min <sup>-1</sup> ) .....	Wysoka prędkość: 0 – 2900	0 – 2900
	Niska prędkość: 0 – 1200	0 – 1200
Liczba uderzeń na minutę .....	Wysoka prędkość: 0 – 58000	0 – 58000
	Niska prędkość: 0 – 24000	0 – 24000
Całkowita długość .....	362 mm	360 mm
Ciężar netto .....	2,3kg	2,3kg

- Ze względu na prowadzony program udoskonaleń i badań, podane dane techniczne mogą zostać zmienione bez uprzedzenia.
- Uwaga: Dane techniczne mogą się różnić w zależności od kraju.

**Przeznaczenie**

Urządzenie jest przeznaczone do wiercenia udarowego w cegle, betonie i kamieniu oraz do zwykłego wiercenia w drewnie, metalu, materiałach ceramicznych i plastiku.

**Zasilanie**

Urządzenie to, powinno być podłączone tylko do źródła zasilania o takim samym napięciu jak pokazano na tabliczce znamionowej i może być używane tylko dla zmiennego prądu jednofazowego. Zgodnie ze standardami Unii Europejskiej zastosowano podwójną izolację i dlatego też możliwe jest zasilanie z gniazda bez uziemienia.

**INSTRUKCJE BEZPIECZEŃSTWA**

**Ostrzeżenie! Używając urządzeń elektrycznych podstawowe środki ostrożności muszą być zawsze zachowane, aby zmniejszyć ryzyko ognia, porażenia prądem i uszkodzenia ciała, włączając poniższe. Przeczytaj wszystkie podane instrukcje przed próbą użycia tego produktu i zachowaj je do wglądu.**

**Dla bezpiecznego użycia:**

- 1. Utrzymuj miejsce pracy w czystości**  
Zabałaganione miejsca i stoły warsztatowe sprzyjają wypadkom.
- 2. Zastanów się nad warunkami pracy**  
Nie wystawiaj urządzeń elektrycznych na deszcz. Nie używaj urządzeń elektrycznych w wilgotnych lub mokrych miejscach. Utrzymuj miejsce pracy dobrze oświetlone. Nie używaj urządzeń elektrycznych w obecności łatwopalnych płynów lub gazów.
- 3. Chroń się przed porażeniem prądem**  
Zapobiegaj kontaktom ciała z uziemionymi powierzchniami (np. rurami, grzejnikami, kuchenkami, lodówkami).
- 4. Nie pozwalaj zbliżyć się dzieciom**  
Nie pozwalaj wizytującym osobom dotykać urządzenia lub przedłużacza. Wszystkie wizytujące osoby nie powinny zbliżać się do miejsca pracy.
- 5. Zachowaj nieczynne urządzenia**  
Nieużywane urządzenia powinny być przechowywane w suchych, wysokich lub zamkniętych miejscach tak, aby były niedostępne dla dzieci.
- 6. Nie przeciążaj urządzenia**  
Wykona ono pracę lepiej i bezpieczniej, pracując w sposób, dla którego zostało ono zaprojektowane.

- 7. Używaj poprawnego urządzenia**  
Nie nadużywaj małych lub dodatkowych urządzeń do wykonania pracy urządzeń do dużej pracy. Nie używaj urządzeń do celów, do których nie zostały przeznaczone; na przykład, nie używaj piły tarczowej do przecinania gałęzi lub kłód drzew.
- 8. Ubiierz się odpowiednio**  
Nie noś luźnych ubrań lub biżuterii. Mogą one zostać zahaczone o ruchome części. Gumowe rękawiczki i przeciwpoślizgowe buty są wskazane przy pracy na dworze. Zaleca się noszenie ochrony na głowę przytrzymującej długie włosy.
- 9. Użyj okularów ochronnych i ochraniaczy uszu**  
Użyj masek na twarz lub masek przeciwpyłowych jeżeli czynność cięcia wytwarza pyły.
- 10. Podłącz urządzenie usuwające pył**  
Jeżeli urządzenie posiadają podłączenia do urządzeń do usuwania i składowania pyłu, upewnij się, że są one poprawnie podłączone i użyte.
- 11. Uważaj na przewód sieciowy**  
Nigdy nie noś urządzenia trzymając za przewód i nie odłączaj go od gniazda przez pociągnięcie przewodu. Chroń przewód przed ciepłem, olejem i ostrymi krawędziami.
- 12. Pewnie mocuj obrabiane elementy**  
Użyj ściśków lub imadła do zamocowania obrabianych elementów. Jest to bezpieczniejsze niż używanie rąk, a dodatkowo zwalnia obie ręce do obsługiwanego urządzenia.
- 13. Używając urządzenie, nie oddalaj go zbyt od siebie**  
Cały czas trzymaj dobrze ustawione nogi i równowagę.
- 14. Pamiętaj o dobrej konserwacji urządzenia**  
Utrzymuj urządzenie ostre i czyste dla jego lepszego i bezpieczniejszego działania. Wykonaj podane instrukcje w celu smarowania lub wymiany elementów wyposażenia. Regularnie sprawdzaj przewody urządzenia, i jeżeli są uszkodzone, oddaj je do naprawy do autoryzowanego serwisu. Regularnie sprawdzaj przewody przedłużające i wymień je, jeżeli są uszkodzone. Utrzymuj uchwyty suche, czyste i nie zabrudzone olejem lub smarem.
- 15. Odłącz urządzenia**  
Przed konserwacją urządzenia lub zmianą wyposażenia takiego jak tarcze, końcówki robocze i noże, gdy nie jest ono używane.
- 16. Wymij klucze regulacyjne**  
Nabierz zwyczaju sprawdzania czy klucze regulacyjne są usunięte z urządzenia przed jego użyciem.
- 17. Unikaj przypadkowych uruchomień**  
Nie noś podłączonego urządzenia z palcem na włączniku. Upewnij się, że urządzenie jest wyłączone, gdy je podłączasz do zasilania.
- 18. Zastosuj przedłużacz używając urządzenia na dworze**  
Gdy urządzenie używane jest na dworze, stosuj tylko przedłużacze przeznaczone i oznaczone do pracy na dworze.

- 19. Bądź uważny**  
Patrz co robisz. Bądź rozsądny. Nie używaj urządzenia, gdy jesteś zmęczony.
- 20. Sprawdzaj uszkodzone części**  
Przed dalszym użyciem urządzenia, osłona lub inne części, które są uszkodzone, muszą być uważnie sprawdzone, aby upewnić się, że będą poprawnie działać i wykonywać przeznaczone im funkcje. Sprawdzaj ustawienia ruchomych części, oprawy ruchomych części, pęknięcia części, zamocowania, i jakiegokolwiek inne warunki, które mogą wpływać na działanie. Osłona lub inne części, które są uszkodzone, powinny być naprawione lub wymienione przez autoryzowany serwis, jeżeli w instrukcji nie podano inaczej. Uszkodzone przełączniki powinny być wymienione przez autoryzowany serwis. Nie używaj urządzenia, jeżeli włącznik nie może go włączyć lub wyłączyć.
- 21. Ostrzeżenie**  
Użycie jakiegokolwiek innego wyposażenia lub części dodatkowych innych niż zalecane w tej instrukcji obsługi lub katalogu, może stworzyć ryzyko uszkodzenia ciała.
- 22. Naprawy urządzenia powinny być wykonywane tylko przez specjalistę**  
To urządzenie jest wykonane zgodnie z odpowiednimi zasadami bezpieczeństwa. Naprawa urządzeń elektrycznych może być wykonana wyłącznie przez specjalistę, gdyż w przeciwnym wypadku może ono stanowić zagrożenie dla użytkownika.

## **DODATKOWE ZASADY BEZPIECZEŃSTWA**

- 1. Trzymaj urządzenie za izolowane powierzchnie uchwytów w trakcie pracy, w której może zostać napotkana ukryta instalacja elektryczna lub własne przewody. Kontakt urządzenia z przewodami pod napięciem, powoduje pojawienie się napięcia na jego odkrytych metalowych częściach, co może spowodować porażenie operatora.**
- 2. Zawsze upewnij się, że stoisz na pewnej podstawie. Podczas używania urządzenia na wysokościach, upewnij się, czy pod Tobą nie ma żadnych osób.**
- 3. Trzymaj pewnie urządzenie dwiema rękami. Zawsze używaj uchwytu bocznego.**
- 4. Trzymaj ręce z daleka od ruchomych części.**
- 5. Nie pozostawiaj pracującego urządzenia. Obsługuj urządzenie tylko wtedy, gdy trzymasz je w rękach.**
- 6. Nie dotykaj wiertła ani obrabianego przedmiotu natychmiast po pracy; mogą one być bardzo gorące i poparzyć skórę.**

## **ZACHOWAJ TĘ INSTRUKCJĘ.**

## INSTRUKCJA OBSŁUGI

### Zakładanie uchwytu bocznego (pomocniczego) (Rys. 1)

#### OSTRZEŻENIE:

Przed zakładaniem lub zdejmowaniem uchwytu bocznego zawsze upewnij się, czy urządzenie jest wyłączone i odłączone od zasilania.

Dla zapewnienia bezpieczeństwa pracy zawsze używaj uchwytu bocznego. Załóż uchwyt boczny tak, aby zęby uchwytu weszły pomiędzy nacięcia na tulei urządzenia. Następnie dokręć uchwyt obracając go zgodnie z ruchem wskazówek zegara dożądanego położenia. Może on być obrócony o 360° i zamocowany w dowolnej pozycji.

### Zakładanie lub wyjmowanie wiertła (Rys. 2 & 3)

#### OSTRZEŻENIE:

Zawsze upewnij się, że urządzenie jest wyłączone i odłączone od zasilania przed instalowaniem lub wyjmowaniem wiertła.

#### Modele HP2050 i HP2050F

Aby założyć wiertło włóż je do zacisku tak głęboko, jak jest to możliwe. Zakręć zacisk ręką. Umieść klucz do zacisku w każdym z trzech otworów i dokręć zgodnie z ruchem wskazówek zegara. Koniecznie dokręć wszystkie trzy otwory zacisku równomiernie. Aby wyjąć wiertło, obróć klucz do zacisku przeciwnie do ruchu wskazówek zegara tylko w jednym otworze, a następnie odkręć zacisk ręką. Po użyciu klucza do zacisku koniecznie ustaw go w pierwotnej pozycji.

#### Modele HP2051 i HP2051F

Chwyć za pierścień i obróć tuleję przeciwnie do ruchu wskazówek zegara, aby otworzyć szczękę zacisku. Włóż wiertło do zacisku najgłębiej jak to jest możliwe. Chwyć mocno za pierścień i obróć tuleję zgodnie z ruchem wskazówek zegara, aby zakręcić zacisk. Aby wyjąć wiertło, chwyć za pierścień i obróć tuleję przeciwnie do ruchu wskazówek zegara.

### Miernik głębokości (Rys. 4)

Miernik głębokości jest przydatny przy wierceniu otworów o jednakowej głębokości. Odkręć uchwyt boczny i włóż miernik głębokości do otworu w podstawie uchwytu. Ustaw miernik na żądaną głębokość i zakręć uchwyt boczny.

#### UWAGA:

Miernik głębokości nie może być używany w położeniu, w którym uderza on w obudowę mechanizmu.

### Działanie przełącznika (Rys. 5)

#### OSTRZEŻENIE:

Przed podłączeniem urządzenia do zasilania zawsze sprawdź, czy spust włącznika działa poprawnie i powraca do położenia „OFF” po zwolnieniu.

Aby uruchomić urządzenie, pociągnij za spust. Prędkość urządzenia wzrasta wraz z siłą nacisku na spust. Zwolnij spust, aby zatrzymać urządzenie. Aby zapewnić ciągłą pracę, pociągnij za spust, a następnie wciśnij przycisk pracy ciągłej. Aby zatrzymać urządzenie pracujące w sposób ciągły, pociągnij spust do końca, a następnie zwolnij.

Urządzenie jest wyposażone w śrubę regulacji prędkości w celu ograniczenia prędkości maksymalnej (zmienna). Obróć śrubę regulacji prędkości zgodnie z ruchem wskazówek zegara dla uzyskania wyższej prędkości, albo przeciwnie do ruchu wskazówek zegara dla uzyskania niższej prędkości.

### Zapalanie lampki (modele HP2050F, HP2051F)

#### OSTRZEŻENIE:



Nie patrz bezpośrednio w światło lub jego źródło.

Aby włączyć lampkę, pociągnij za spust. Zwolnij spust, aby ją wyłączyć.

#### UWAGA:

Do wycierania zanieczyszczeń z soczewki lampki używaj suchej tkaniny. Uważaj, abyś nie porysował soczewki, ponieważ może to pogorszyć oświetlenie.

### Działanie przełącznika zmiany kierunku (Rys. 6)

Urządzenie posiada przełącznik zmiany kierunku zmieniający kierunek obrotów. Przesuń dźwignię przełącznika w położenie oznaczone  (strona A) dla uzyskania obrotów zgodnych z ruchem wskazówek zegara, albo w położenie oznaczone  (strona B) dla uzyskania obrotów przeciwnych do ruchu wskazówek zegara.

#### OSTRZEŻENIE:

- Przed rozpoczęciem pracy zawsze sprawdź kierunek obrotów.
- Używaj przełącznika zmiany kierunku tylko po całkowitym zatrzymaniu urządzenia. Zmiana kierunku obrotów dokonana przed zatrzymaniem urządzenia może doprowadzić do jego uszkodzenia.

## **Pokrętło zmiany prędkości (Rys. 7)**


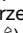
Przy pomocy pokrętła zmiany prędkości można wybrać dwa zakresy prędkości. Obróć pokrętło zmiany prędkości tak, aby strzałka na obudowie urządzenia wskazywała na oznaczenie I na pokrętłe dla uzyskania niskiej prędkości, albo na oznaczenie II dla uzyskania wyższej prędkości.

Jeżeli pokrętło obraca się z trudem, najpierw obróć lekko zacisk w dowolną stronę, a następnie ponownie obróć pokrętło.

### **OSTRZEŻENIE:**

- Używaj pokrętła zmiany prędkości dopiero po całkowitym zatrzymaniu się urządzenia. Zmiana prędkości urządzenia dokonana przed zatrzymaniem urządzenia może doprowadzić do jego uszkodzenia.
- Zawsze ustawiaj pokrętło zmiany prędkości we właściwym położeniu. Jeżeli urządzenie będzie pracowało z pokrętłem zmiany prędkości ustawionym pomiędzy położeniami „I” i „II”, może zostać ono uszkodzone.

## **Wybór sposobu pracy (Rys. 8)**

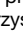
Urządzenie jest wyposażone w dźwignię zmiany sposobu pracy. W celu wiercenia udarowego przesunij dźwignię zmiany sposobu pracy w prawo (znak ). W celu zwykłego wiercenia przesunij dźwignię zmiany sposobu pracy w lewo (znak ).

### **OSTRZEŻENIE:**

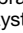
Zawsze przesuwaj dźwignię zmiany sposobu pracy do końca do położenia odpowiadającego żądanemu sposobowi pracy. Jeżeli urządzenie będzie pracowało z dźwignią ustawioną pomiędzy symbolami sposobów pracy, może zostać ono uszkodzone.

## **POSTĘPOWANIE**

### **Wiercenie udarowe**

Podczas wiercenia w betonie, granicie, dachówkach itp. przesunij dźwignię zmiany sposobu pracy do położenia oznaczonego , aby korzystać z wiercenia udarowego. Koniecznie używaj wiertła z wierzchołkiem z węgla wolframu. Kiedy otwór zapcha się odłamkami lub odpryskami, nie wywieraj dodatkowego nacisku. Zamiast tego przełącz urządzenie na bieg jałowy i wyjmij częściowo wiertło z otworu. Powtarzając to kilka razy, oczyścisz otwór. Po wywierceniu otworu użyj gruszki do wydmuchiwania pyłu, aby oczyścić z niego otwór. (Rys. 9)

### **Wiercenie zwykłe**

Podczas wiercenia w drewnie, metalu lub plastiku przesunij dźwignię zmiany sposobu pracy do położenia oznaczonego , aby korzystać ze zwykłego wiercenia.

### **Wiercenie w drewnie**

Podczas wiercenia w drewnie najlepsze wyniki uzyskuje się stosując wiertarki do drewna wyposażone w śrubę pociągową. Śruba pociągowa przyciągając wiertło do obrabianego przedmiotu, ułatwia wiercenie.

## **Wiercenie w metalu**

Aby zapobiec ześlizgnięciu się wiertła podczas rozpoczynania wiercenia, wykonaj wgniecenie w miejscu otworu przy pomocy punktaka i młotka. Umieść wierzchołek wiertła we wgnieceniu i rozpocznij wiercenie.

Podczas wiercenia w metalu używaj smaru do cięcia. Wyjątki stanowią żelazo i mosiądz, które należy wiercić na sucho.

### **OSTRZEŻENIE:**

- Wywieranie nadmiernego nacisku na urządzenie nie przyspiesza wiercenia. Przeciwnie, nadmierny nacisk powoduje tylko uszkodzenie wierzchołka wiertła, pogarsza wydajność urządzenia i skraca jego żywotność.
- Podczas rozpoczynania wiercenia otworu na urządzenie/wiertło wywierana jest ogromna siła. Trzymaj urządzenie mocno i zachowaj uwagę, kiedy wiertło zaczyna przewiercać się przez obrabiany przedmiot.
- Zablockowane wiertło może być wyjęte poprzez ustawienie przełącznika zmiany kierunku na obroty w odwrotną stronę w celu wycofania urządzenia. Urządzenie może jednak wycofać się gwałtownie, jeżeli nie będziesz go pewnie trzymał.
- Zawsze unieruchamiaj drobne obrabiane przedmioty w imadle lub podobnym narzędziu unieruchamiającym.

## **KONSERWACJA**

### **OSTRZEŻENIE:**

Zawsze upewnij się, że urządzenie jest wyłączone i odłączone od zasilania przed wykonywaniem jakichkolwiek prac nad urządzeniem.

### **Czyszczenie otworów wentylacyjnych (Rys. 10)**

Czyść regularnie otwory wentylacyjne, aby zapobiec ich zapchaniu pyłem, brudem lub innymi zanieczyszczeniami.

Dla zapewnienia bezpieczeństwa i niezawodności urządzenia naprawy, konserwację i regulację należy powierzać autoryzowanym punktom napraw firmy Makita.



### **Szumy i drgania**

Typowe A-ważone poziomy szumów

poziom ciśnienia dźwięku: 97 dB (A).

poziom dźwięku w trakcie pracy: 110 dB (A).

- Noś ochraniacze uszu. -

Typowa wartość ważonej średniej kwadratowej przyspieszenia jest  $X \text{ m/s}^2$ .

### **UE-DEKLARACJA ZGODNOŚCI**

Oświadczamy, biorąc za to wyłączną odpowiedzialność, że niniejszy wyrób jest zgodny z następującymi standardami i standardowymi dokumentami:

HD400, EN50144, EN55014, EN61000,  
zgodnie z Zaleceniami Rady: 73/23/EEC,  
89/336/EEC i 98/37/EC.

*Yasuhiko Kanzaki* CE 2001



Dyrektor

**MAKITA INTERNATIONAL EUROPE LTD.**

Michigan Drive, Tongwell, Milton Keynes,  
Bucks MK15 8JD, ENGLAND

1 Основа захвата	10 Кольцо	19 Регулятор переключения скорости
2 Боковой захват (дополнительная ручка)	11 Измеритель глубины	20 Стрелка
3 Зубья	12 Ниже	21 Рычаг переключения действующего режима
4 Выступы	13 Выше	22 Воздухоудувный баллон
5 Отвинтите	14 Винт регулировки скорости	23 Вентиляционные отверстия
6 Завинтите	15 Пусковой механизм	
7 Сверло	16 Кнопка фиксации	
8 Зажимной ключ	17 Рычаг обратного переключения	
9 Втулка	18 Лампа	

### ТЕХНИЧЕСКИЕ ХАРАКТЕРИСТИКИ

Модель	HP2050/HP2050F	HP2051/HP2051F
Макс. функциональные возможности		
Бетон		
Долото с вольфрам-карбидным наконечником .....	Высокая: 20 мм	20 мм
Сталь .....	Высокая: 8 мм	8 мм
	Низкая: 13 мм	13 мм
Дерево.....	Высокая: 25 мм	25 мм
	Низкая: 40 мм	40 мм
Скорость в незагруженном состоянии (мин. <sup>-1</sup> ) .....	Высокая: 0 – 2900	0 – 2900
	Низкая: 0 – 1200	0 – 1200
Ударов в минуту.....	Высокая: 0 – 58000	0 – 58000
	Низкая: 0 – 24000	0 – 24000
Общая длина .....	362 мм	360 мм
Вес нетто .....	2,3 кг	2,3 кг

- Вследствие нашей продолжающейся программы поиска и разработок технические характеристики могут быть изменены без уведомления.
- Примечание: Технические характеристики могут различаться в зависимости от страны.

#### Предполагаемое использование

Инструмент предназначен для отбойного сверления в кирпиче, бетоне и камне, а также для сверления без отбоя в дереве, металле, керамике и пластмассе.

#### Источник питания

Инструмент должен быть подсоединен только к источнику питания с напряжением, указанным в табличке номиналов, и может функционировать только от однофазного источника питания переменного тока. В соответствии с Европейским стандартом имеется двойная изоляция, следовательно, возможно использование с розетками без провода заземления.

### ИНСТРУКЦИИ ПО МЕРАМ БЕЗОПАСНОСТИ

**Предостережение!** При использовании электрических инструментов следует всегда соблюдать основные меры безопасности для уменьшения опасности пожара, поражения электрическим током и персональных травм, включая следующие.

Прочитайте эти инструкции перед тем, как пытаться управлять этим изделием, и сохраните эти инструкции.

Для безопасного функционирования:

- 1. Поддерживайте чистоту на рабочем месте**  
Захламленные места и подставки могут привести к травмам.
- 2. Учитывайте рабочую окружающую среду**  
Не подвергайте инструменты с электроприводом воздействию дождя. Не используйте инструменты с электроприводом в сырых или влажных местах. Поддерживайте хорошее освещение на рабочем месте. Не используйте инструменты с электроприводом в присутствии возгораемых жидкостей или газов.
- 3. Предохраняйтесь от поражения электрическим током**  
Предотвращайте контакт тела с заземленными поверхностями (например, трубами, радиаторами, батареями, холодильниками).

- 4. Держитесь подальше от детей**  
Не позволяйте посетителям прикасаться к инструменту или шнуру-удлинителю. Все посетители должны находиться подальше от рабочей области.
- 5. Правильно храните неработающие инструменты**  
Если инструменты не используются, они должны храниться в сухом, высоком или закрытом месте, вне досягаемости детей.
- 6. Не прилагайте усилие к инструменту**  
Он будет выполнять работу лучше и безопаснее при скорости, для которой он предназначен.
- 7. Используйте правильный инструмент**  
Не пытайтесь прилагать усилие к маленьким инструментам или присоединениям для выполнения работы инструмента тяжелого назначения. Не используйте инструменты для непредназначенных целей; например, не используйте дисковую пилу для резки веток или корней деревьев.
- 8. Одевайтесь правильно**  
Не одевайте свисающую одежду или украшения. Они могут попасть в движущиеся части. При работе на улице рекомендуется одевать резиновые перчатки и нескользящую обувь. Одевайте предохранительный головной убор для убирания длинных волос.
- 9. Используйте защитные очки и предохранительные приборы для слуха**  
Если работа по резке является пыльной, используйте также маску для лица или пылезащитную маску.
- 10. Подсоедините пылевсасывающее оборудование**  
Если имеются подсоединения устройств для всасывания и сбора пыли, убедитесь в том, что они подсоединены и используются правильно.
- 11. Не прилагайте усилие к шнуру**  
Никогда не носите инструмент за шнур и не дергайте за него для отсоединения его из розетки. Держите шнур подальше от жарких мест, масла и острых краев.
- 12. Закрепите рабочее изделие**  
Используйте зажимы или тиски для крепления рабочего изделия. Это является более безопасным, чем использование Вашей руки, и при этом освобождаются две руки для управления инструментом.
- 13. Не заходите слишком далеко**  
Сохраняйте правильную стойку и баланс все время.
- 14. Осторожно обращайтесь с инструментами**  
Держите инструменты острыми и чистыми для более лучшей и безопасной работы. Следуйте инструкциям для смазки и смены принадлежностей. Периодически проверяйте шнуры инструмента, и, если они повреждены, обращайтесь относительно ремонта в уполномоченный центр по техобслуживанию. Периодически проверяйте шнуры-удлинители и заменяйте, если они повреждены. Держите ручки сухими чистыми и свободными от масла или смазки.
- 15. Отсоединяйте инструменты**  
Если не используются, перед техобслуживанием, и при смене принадлежностей, таких, как лезвия, резцы и резак.
- 16. Убирайте регулировочные ключи и гаечные ключи**  
Сформируйте привычку проверять, что регулировочные ключи и гаечные ключи убраны с инструмента перед его включением.
- 17. Избегайте случайных запусков**  
Не носите подсоединенный к сети инструмент с пальцем, находящемся на переключателе. Перед подсоединением инструмента к сети убедитесь, что переключатель находится в положении “выкл”.
- 18. Шнуры-удлинители для использования на улице**  
Когда инструмент используется на улице, используйте только шнуры-удлинители, предназначенные для использования на улице с указанием этого.
- 19. Будьте бдительны**  
Наблюдайте за тем, что Вы делаете. Используйте разумный подход. Не управляйте инструментом, если Вы устали.
- 20. Проверьте поврежденные части**  
Перед дальнейшим использованием инструмента, предохранитель или другая часть должны быть тщательно проверены для определения того, что они будут функционировать правильно и выполнять предназначенную функцию. Проверьте на предмет совмещения движущихся частей, соединения движущихся частей, поломки частей, монтажа и других условий, которые могут повлиять на их функционирование. Предохранитель или другая часть должны быть правильно отремонтированы или заменены в уполномоченном центре по техобслуживанию, если только не указано другое в этой инструкции по эксплуатации. Дефектные переключатели должны быть заменены в уполномоченном центре по техобслуживанию. Не используйте инструмент, если невозможно его включение и выключение с помощью переключателя.

## 21. Предостережение

Использование любой другой принадлежности или присоединения, отличного от рекомендуемого в этой инструкции по эксплуатации или каталоге, может привести к опасности персональной травмы.

## 22. Используйте для ремонта услуги специалиста

Это электрическое оборудование соответствует относящимся к нему правилам безопасности. Ремонт электрического оборудования может проводиться только специалистами, в противном случае, он может вызвать существенную опасность для пользователя.

## ДОПОЛНИТЕЛЬНЫЕ ПРАВИЛА БЕЗОПАСНОСТИ

1. Держите инструменты за изолированные поверхности для захвата при выполнении операции, когда режущий инструмент может проконтактировать со скрытой проводкой или своим собственным шнуром. Контакт с “работающим” проводом сделает “работающими” открытые металлические части инструмента и может привести к поражению оператора электрическим током.
2. Всегда будьте уверены, что у Вас имеется устойчивая опора. Убедитесь в том, что внизу никого нет, когда используете инструмент в возвышенных местах.
3. Держите инструмент крепко обеими руками. Всегда используйте боковой захват.
4. Держите руки подальше от вращающихся частей.
5. Не оставляйте инструмент работающим. Управляйте инструментом только удерживая его руками.
6. Не прикасайтесь к сверлу или рабочему изделию сразу же после эксплуатации; они могут быть очень горячими и обжечь Вашу кожу.

## СОХРАНИТЕ ЭТИ ИНСТРУКЦИИ.

## ИНСТРУКЦИЯ ПО ЭКСПЛУАТАЦИИ

### Установка бокового захвата (дополнительная ручка) (Рис. 1)

#### ПРЕДУПРЕЖДЕНИЕ:

Перед установкой или удалением бокового захвата будьте всегда уверены, что инструмент выключен и отсоединен от сети.

Всегда используйте боковой захват для обеспечения безопасной эксплуатации. Установите боковой захват так, чтобы зубья на захвате попали между выступами в блоке для инструмента. Затем завинтите захват, повернув его по часовой стрелке в желаемое положение. Он может быть повернут на 360° для фиксации в любом положении.

### Установка или удаление сверла дрели (Рис. 2 и 3)

#### ПРЕДУПРЕЖДЕНИЕ:

Следует всегда быть уверенным, что инструмент выключен и отсоединен от сети перед установкой или удалением долота.

#### Для моделей HP2050 и HP2050F

Для установки сверла вставьте его в зажим до упора. Завинтите зажим рукой. Вставьте зажимной ключ в каждое из трех отверстий и завинтите по часовой стрелке. Следует завинтить все три зажимных отверстия одинаково. Для удаления сверла поверните зажимной ключ против часовой стрелки только в одном отверстии, затем отвинтите зажим рукой. После использования зажимного ключа следует вернуть его в первоначальное положение.

#### Для моделей HP2051 и HP2051F

Держите кольцо и поверните втулку против часовой стрелки для открытия кулачков зажима. Поместите сверло в зажим до упора. Держите кольцо плотно и поверните втулку по часовой стрелке для завинчивания зажима. Для удаления сверла держите кольцо и поверните втулку против часовой стрелки.

### Измеритель глубины (Рис. 4)

Измеритель глубины является удобным для сверления отверстий одинаковой глубины. Отвинтите боковой захват и вставьте измеритель глубины в отверстие в боковом захвате. Подрегулируйте измеритель глубины до желаемой глубины и завинтите боковой захват.

#### ПРИМЕЧАНИЕ:

Измеритель глубины не может использоваться в положении, когда измеритель глубины ударяется в корпус привода.

## Действия при переключении (Рис. 5)

### ПРЕДУПРЕЖДЕНИЕ:

Перед подсоединением инструмента всегда проверяйте, чтобы видеть, что пусковой механизм действует правильно и возвращается в положение “OFF” (выкл.) при высвобождении

Для запуска инструмента просто нажмите пусковой механизм. Скорость инструмента увеличивается при увеличении давления на пусковой механизм. Для остановки высвободите пусковой механизм. Для непрерывного функционирования нажмите пусковой механизм, а затем нажмите кнопку фиксации. Для остановки инструмента из фиксированного положения полностью нажмите пусковой механизм, затем высвободите его.

Винт регулировки скорости обеспечивает достижение максимальной скорости инструмента (регулируемой). Поверните винт регулировки скорости по часовой стрелке для достижения более высокой скорости и против часовой стрелки для достижения более низкой скорости.

## Высвечивание ламп (для моделей HP2050F, HP2051F)

### ПРЕДУПРЕЖДЕНИЕ:

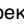
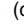
Не смотрите на свет и не наблюдайте источник света непосредственно.

Для включения лампы нажмите пусковой механизм. Для ее выключения высвободите пусковой механизм.

### ПРИМЕЧАНИЕ:

Используйте сухую ткань для стирания грязи со стекла лампы. Будьте осторожны, чтобы не повредить стекло лампы, либо это может привести к снижению освещенности.

## Действия обратного переключения (Рис. 6)

Этот инструмент снабжен обратным переключателем для изменения направления вращения. Передвиньте рычаг обратного переключения в положение  (сторона А) для вращения по часовой стрелке или в положение  (сторона В) для вращения против часовой стрелки.

### ПРЕДУПРЕЖДЕНИЕ:

- всегда проверяйте направление вращения перед эксплуатацией.
- Используйте обратный переключатель только после полной остановки инструмента. Изменение направления вращения до остановки инструмента может привести к повреждению инструмента.


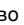
## Регулятор переключения скорости (Рис. 7)

Два диапазона скоростей могут быть выбраны предварительно с помощью регулятора переключения скорости. Поверните регулятор переключения скорости так, чтобы стрелка на корпусе инструмента указывала в направлении положения I на регуляторе для низкой скорости или положения II для высокой скорости. Если поворот регулятора затруднен, сначала немного поверните регулятор в любом направлении, а затем снова поверните регулятор.

### ПРЕДУПРЕЖДЕНИЕ:

- Используйте регулятор переключения скорости только после полной остановки инструмента. Изменение скорости инструмента до остановки инструмента может привести к повреждению инструмента.
- Всегда устанавливайте регулятор переключения скорости в правильное положение. Если Вы эксплуатируете инструмент с регулятором переключения скорости, расположенным между положениями “I” и “II”, возможно повреждение инструмента.

## Выбор действующего режима (Рис. 8)

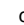
Этот инструмент снабжен рычагом изменения действующего режима. Для вращения с отбоем сдвиньте рычаг изменения действующего режима вправо (символ ). Для выполнения только вращения сдвиньте рычаг изменения действующего режима влево (символ ).

### ПРЕДУПРЕЖДЕНИЕ:

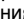
Всегда устанавливайте рычаг изменения действующего режима полностью в желаемое положение. Если Вы эксплуатируете инструмент с рычагом, расположенным между символами режима, возможно повреждение инструмента.

## ЭКСПЛУАТАЦИЯ

### Операция отбойного сверления

При сверлении в бетоне, граните, кафеле и т.д. передвиньте рычаг изменения действующего режима в положение символа  для использования действия “вращение с отбоем”. Следует использовать сверло с вольфрам-карбидным наконечником. Не прикладывайте излишнее давление, если отверстие засорится осколками или частицами. Вместо этого поработайте инструментом в режиме холостого хода, затем частично удалите сверло из отверстия. После повторения этого несколько раз, отверстие очистится. После сверления отверстия используйте воздушный баллон для очистки пыли из отверстия. (Рис. 9)

### Операция сверления

При сверлении в дереве, металле или пластмассовых материалах передвиньте рычаг изменения действующего режима в положение символа  для использования действия “только вращение”.

### **Сверление в дереве.**

Во время сверления в дереве наилучшие результаты получаются с дрелями для дерева, снабженными направляющим винтом. Направляющий винт упрощает сверление путем стягивания сверла в рабочее изделие.

### **Сверление в металле.**

Для предотвращения соскальзывания сверла в начале сверления отверстия сделайте углубление с помощью кернера и молотка в точке, где нужно выполнить сверление. Поместите наконечник сверла в углубление и начните сверление.

При сверлении металлов используйте смазку для металлорежущих инструментов. Исключение составляют железо и бронза, которые следует сверлить сухими.

### **ПРЕДУПРЕЖДЕНИЕ:**

- Излишнее давление на инструмент не повысит скорость сверления. Наоборот, это излишнее давление может только привести к повреждению наконечника Вашего сверла, понизить эффективность инструмента и сократить срок службы инструмента.
- Во время выхода из отверстия на инструмент/сверло действует огромное скручивающее усилие. Держите инструмент крепко и соблюдайте осторожность, когда сверло начинает пробиваться через рабочее изделие
- Удаление застрявшего сверла возможно просто с помощью установки обратного переключателя на обратное вращение с целью его вращения в обратном направлении. Однако, если Вы не держите инструмент крепко, он может выскочить внезапно.
- Всегда фиксируйте маленькое рабочее изделие в тисках или подобном фиксирующем устройстве.

## **ОБСЛУЖИВАНИЕ**

### **ПРЕДУПРЕЖДЕНИЕ:**

Всегда проверяйте, что инструмент выключен и отсоединен перед выполнением любой работы с инструментом.

### **Чистка вентиляционных отверстий (Рис. 10)**

Периодически чистите вентиляционные отверстия для предотвращения их засорения пылью, грязью или подобным материалом.

Для поддержания безопасности и долговечности изделия, ремонт, уход или регулировка должны проводиться в уполномоченном центре по техобслуживанию Makita.

### **Шум и вибрация**

Типичные А-взвешенные уровни шума составляют  
уровень звукового давления 97 дБ (А).

уровень звуковой мощности 110 дБ (А).

– Надевайте защиту для ушей. –

Типичное взвешенное значение квадратного  
корня ускорения составляет  $6 \text{ м/с}^2$ .

### **ЕС ДЕКЛАРАЦИЯ СООТВЕТСТВИЯ**

Мы заявляем под свою собственную  
ответственность, что этот продукт находится в  
соответствии со следующими стандартами или  
документами по стандартизации:

HD400, EN50144, EN55014, EN61000,

согласно сборникам директив 73/23ЕЕС,  
89/336/ЕЕС и 98/37ЕС.

*Ясухико Канзаки* CE 2001



Директор

**MAKITA INTERNATIONAL EUROPE LTD.**

Michigan Drive, Tongwell, Milton Keynes,  
Bucks MK15 8JD, ENGLAND

**Makita Corporation Japan**

884428-200